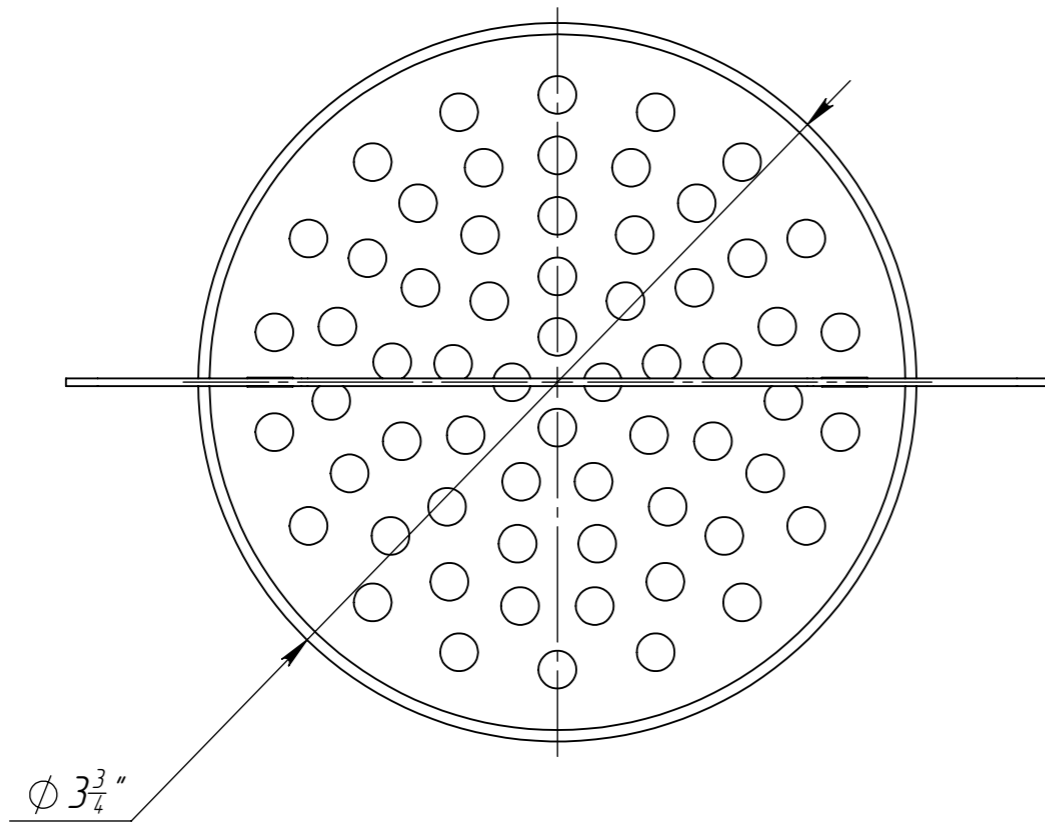
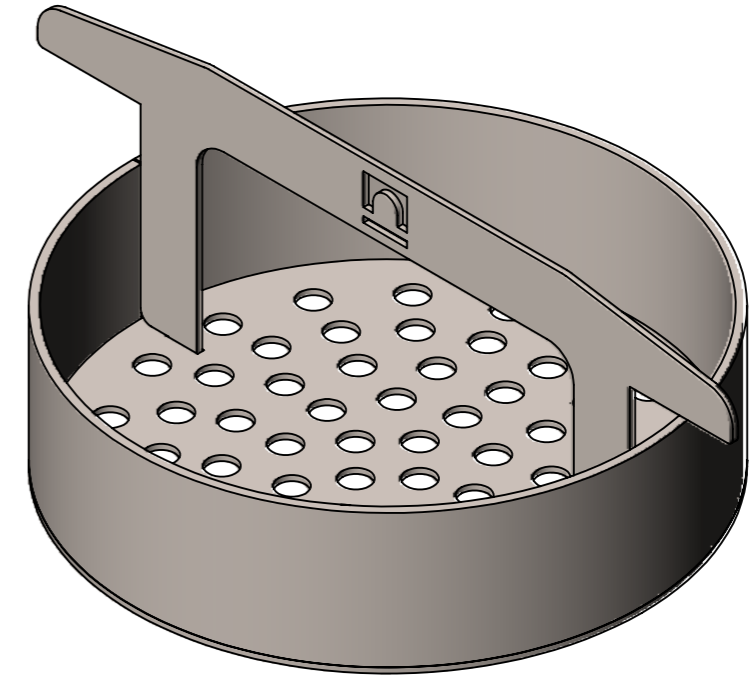
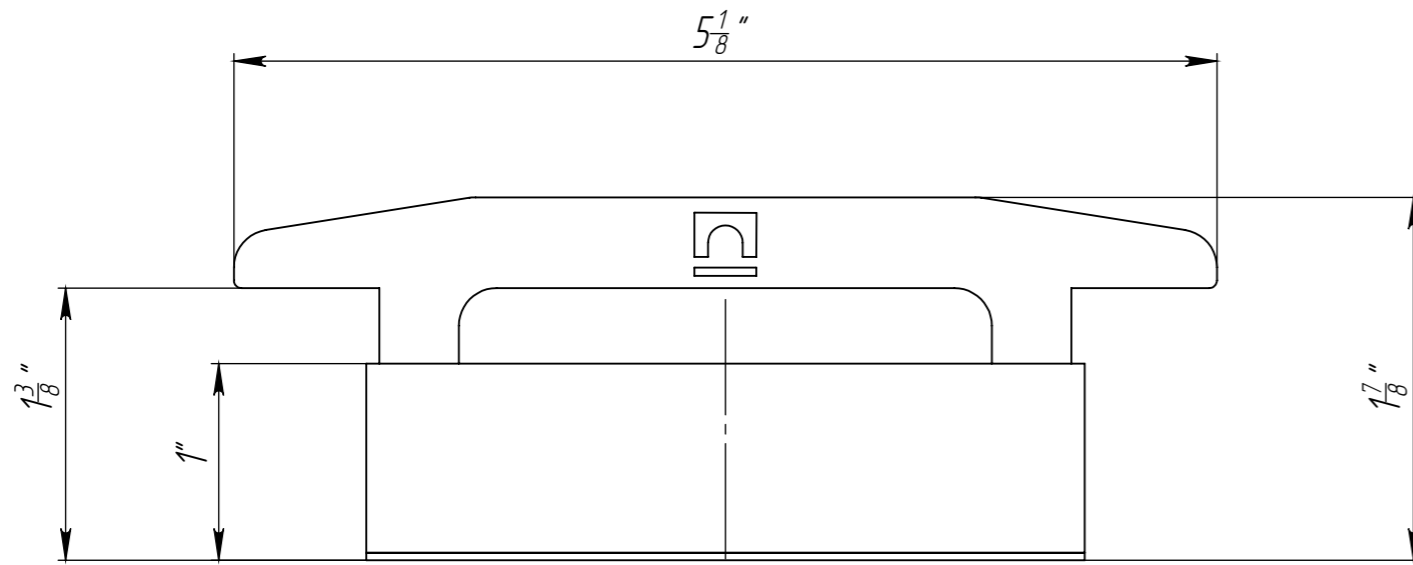


Primary Usage							
Reference No.							
Sign. and date							
Copy inv. No.							
Repl. Inv. No.							
Sign. and date							
Orig. Inv. No.							



1. Dimensions for reference;
2. Unspecified marginal deviation of dimensions H14, h14, ±IT14/2;
3. General tolerances of form and placement - GOST 30893.2 (ISO 2768-2-89);
4. Delivery and packaging are carried out in accordance with the terms of the contract
5. The manufacturer reserves the right, without notice to the consumer, to make changes to the design of the products for improvement their technological and operational parameters, which will not affect the quality and properties of the product.

Version				Art.	SSSDB4	
Rev. Sheet				Mini Slot Basin 4 inch Basket		
Doc. No.				Let.	Weight (lb)	Scale
Sign.				SSSDB4		
Data				0,35		
12.02.21				1:1		
				Sheet	Sheets 1	
				Stainless Steel		
				STANDARTPARK™		