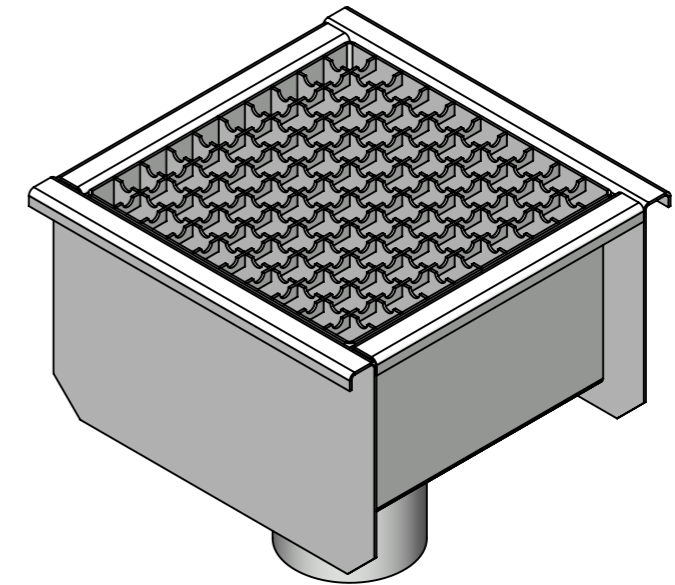
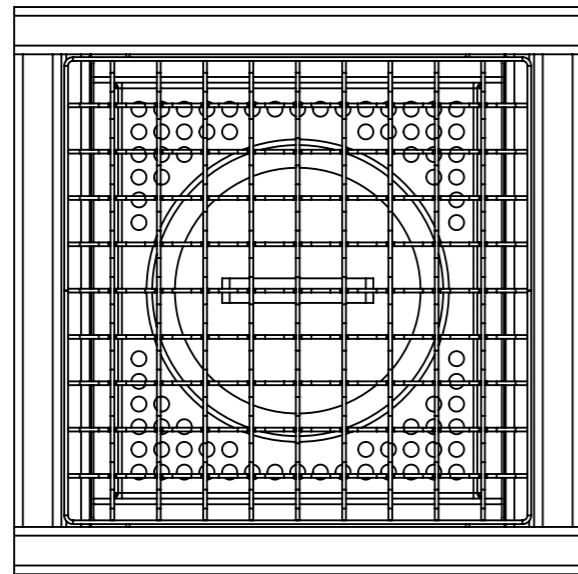
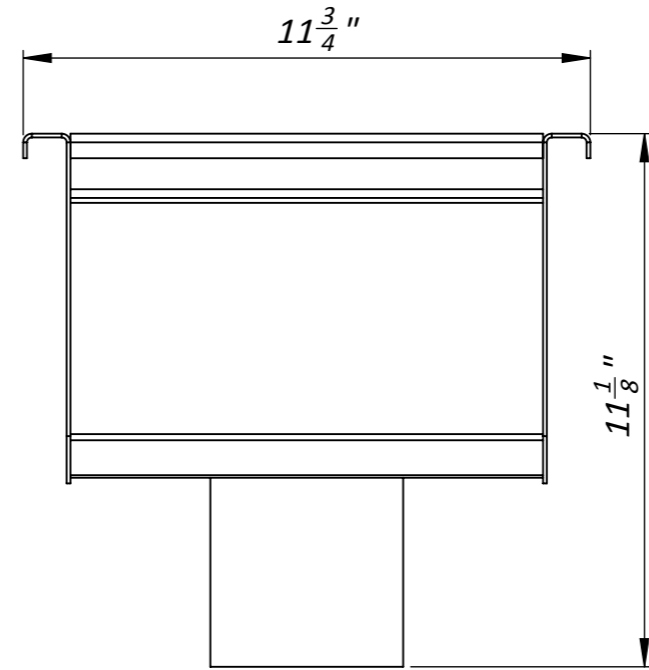
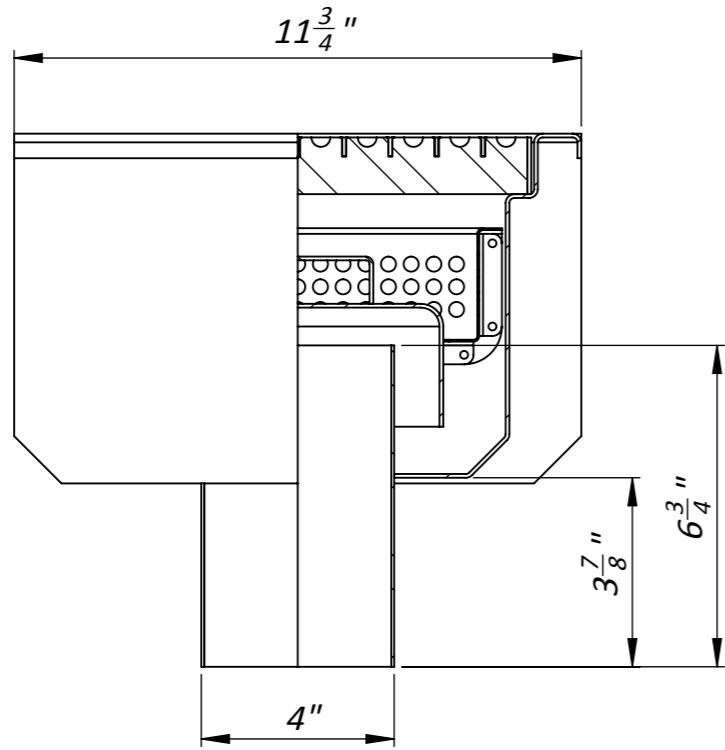


Primary Usage	Reference No.	Sign. and date	Copy inv. No.	Repl. Inv. No.	Sign. and date	Orig. Inv. No.
---------------	---------------	----------------	---------------	----------------	----------------	----------------

12x12 Stainless Steel Trap



- 1. Area of water intake slots 78 sq in
- 2. Deviation of the actual weight of the nominal can be up to 10%

					Art. 529.102.11			
					12x12 Stainless Steel Trap			
Rev.	Sheet	Doc. No.	Sign.	Data	529.102.11	Let.	Weight (lb)	Scale
				11.09.18			18.3	1:4
					Sheet		Sheets 1	
					Stainless Steel			