

Primary Usage

Reference No.

Sign. and date

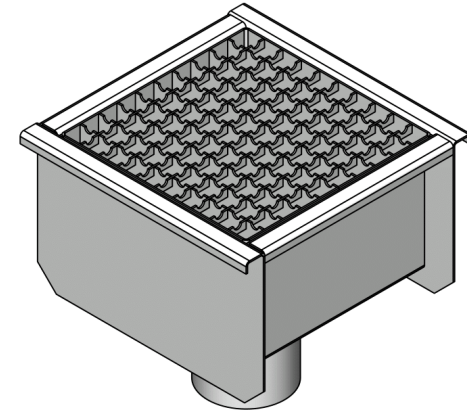
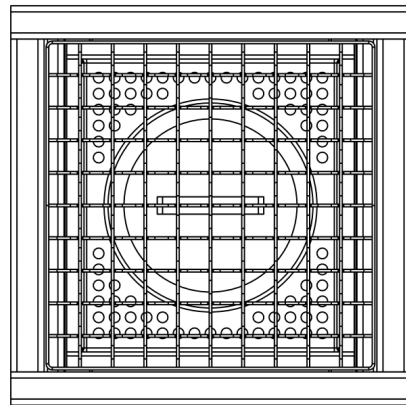
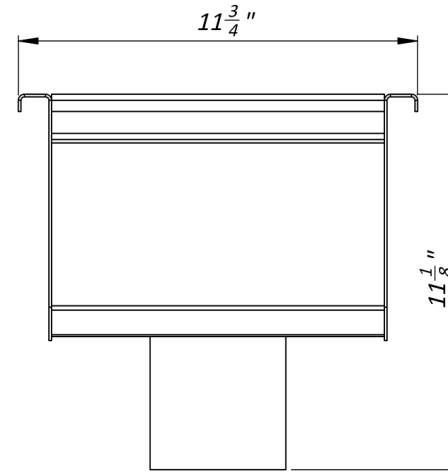
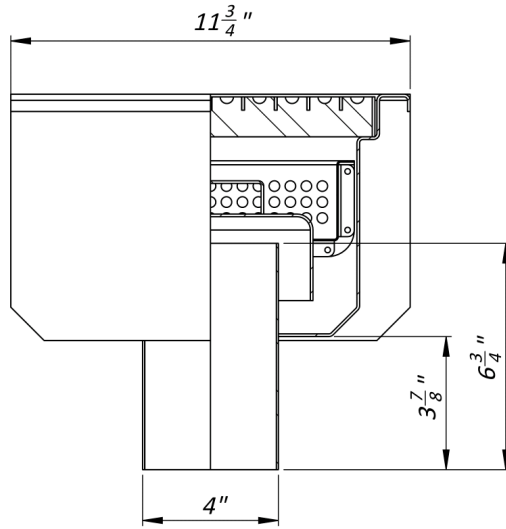
Copy inv. No.

Repl. Inv. No.

Sign. and date

Orig. Inv. No.

12x12 Stainless Steel Trap



- 1. Area of water intake slots 78 sq in
- 2. Deviation of the actual weight of the nominal can be up to 10%

				Art. 529.102.11				
				12x12 Stainless Steel Trap				
Rev.	Sheet	Doc. No.	Sign.	Data	<b>529.102.11</b>	Let.	Weight (lb)	Scale
				11.09.18			18.3	1:4
					Sheet		Sheets 1	
					Stainless Steel			