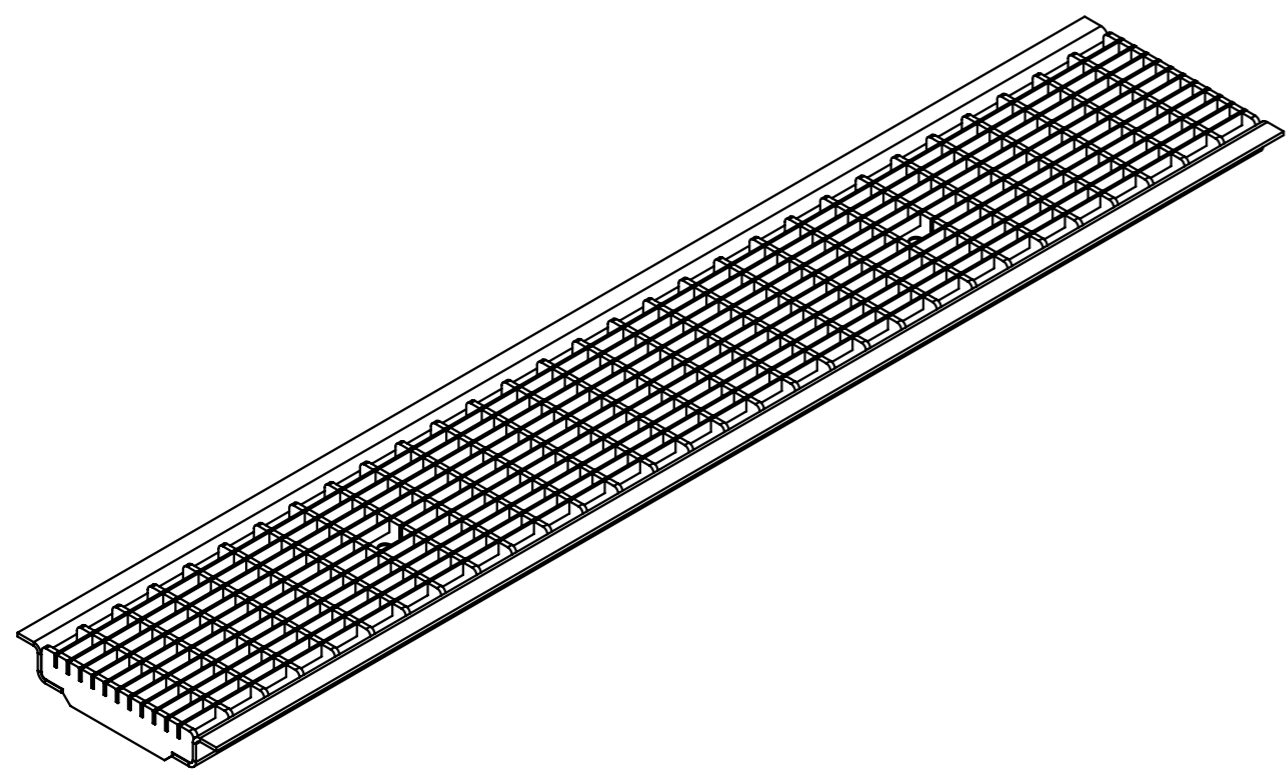
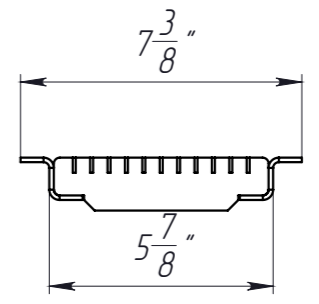
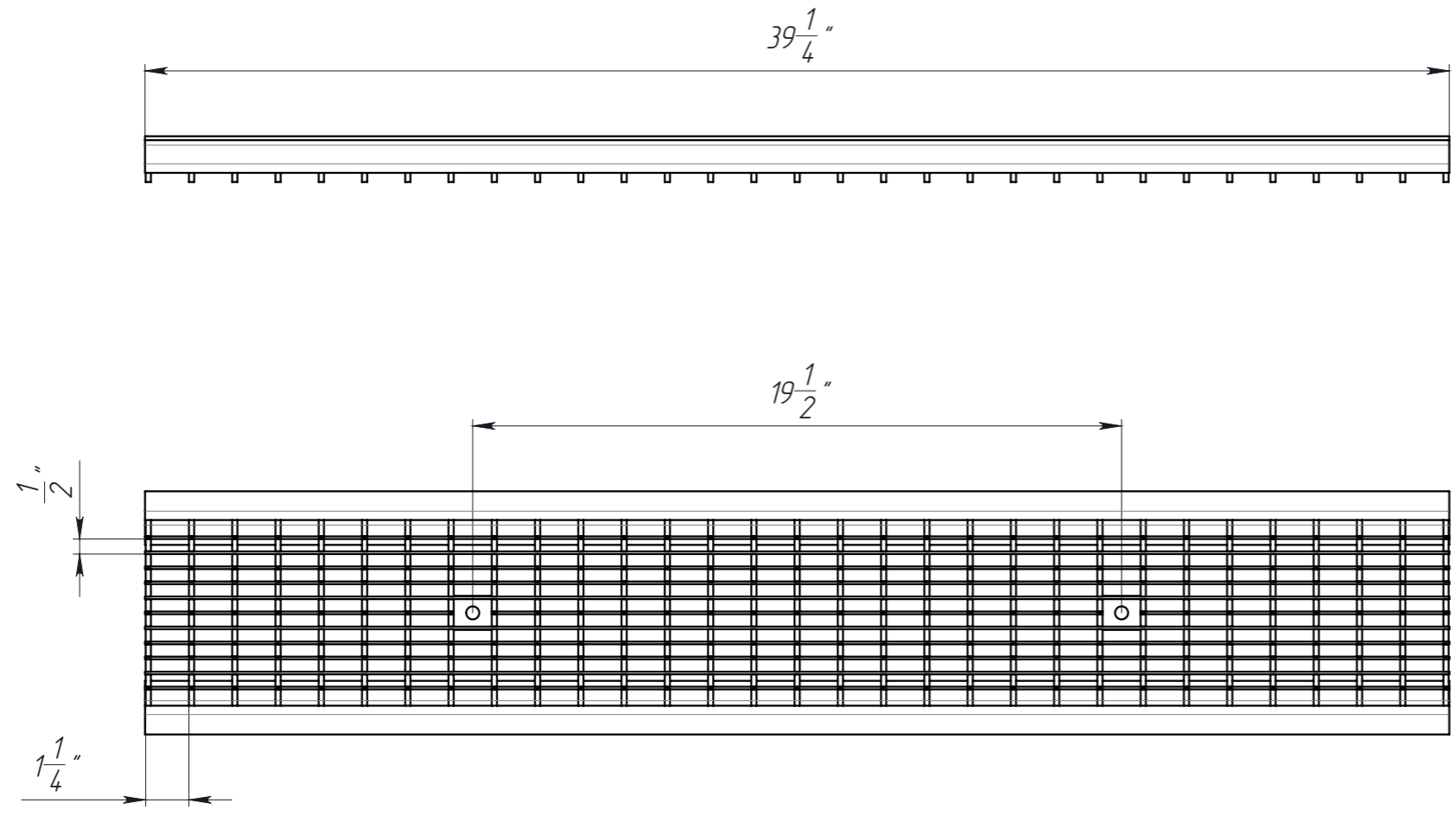


Primary Usage  
Reference No.  
Sign. and date  
Copy inv. No.  
Repl. Inv. No.  
Sign. and date  
Orig. Inv. No.



- \* - Dimensions for reference;
- Unspecified marginal deviation of dimensions H14, h14, ±IT14/2;
- Hot dip galvanised according to ISO 1461:2009
- The manufacturer reserves the right, without notice to the consumer, to make changes to the design of the products for improvement their technological and operational parameters, which will not affect the quality and properties of the product.

					Art.	22202			
					<b>Mesh grating</b>				
					<b>22202</b>		Let.	Weight (lb)	Scale
					Load class B125			19.7	1:10
							Sheet	Sheets 1	
					<b>Galvanized Steel</b>				
Rev.	Sheet	Doc. No.	Sign.	Data					
				05.10.20					