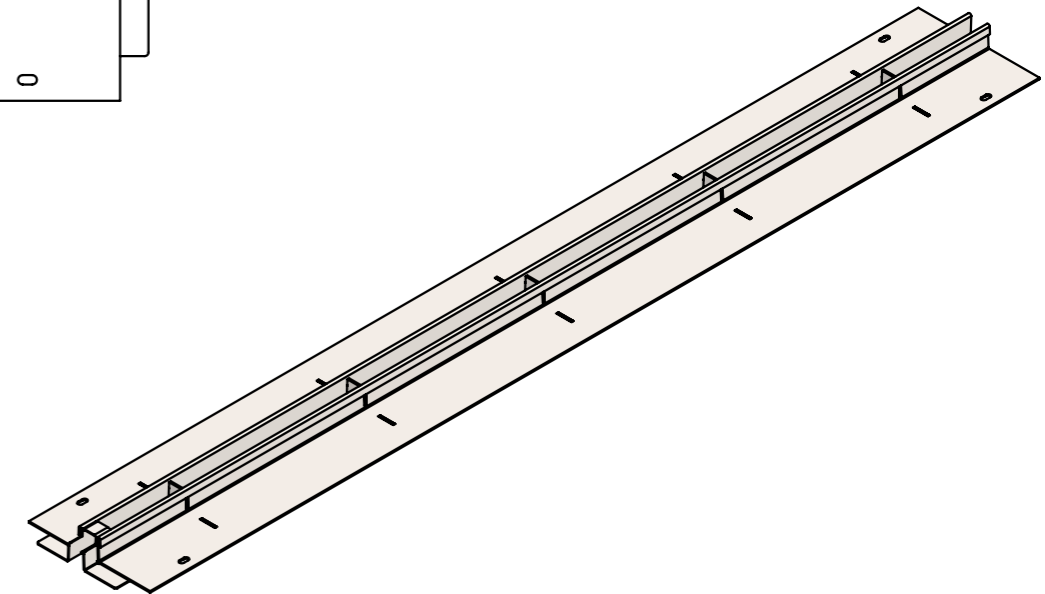
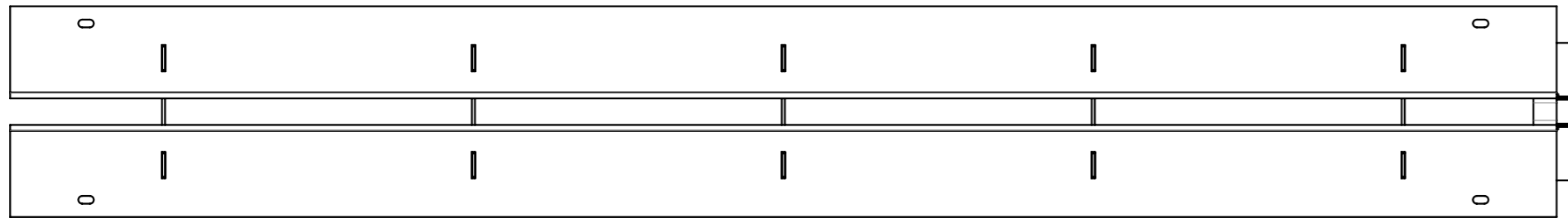
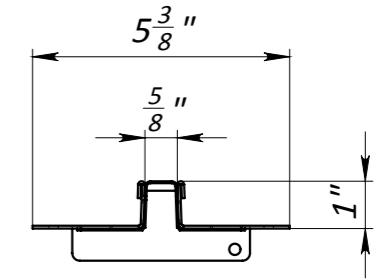
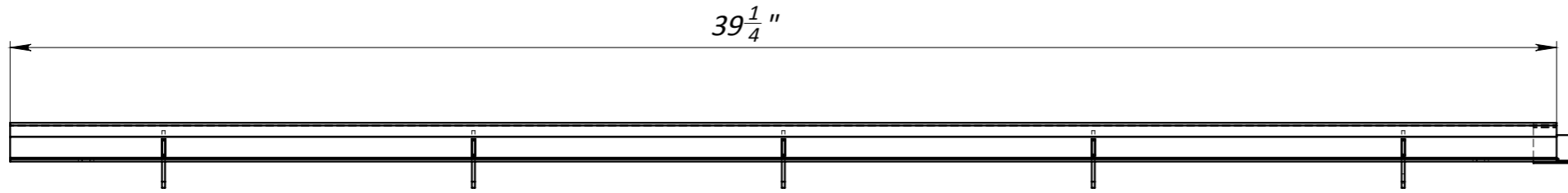


Primary Usage
Reference No.
Sign. and date
Copy inv. No.
Repl. Inv. No.
Sign. and date
Orig. Inv. No.

4" Galvanized Steel Micro Slot Drain



1. Area of water intake slots 26 sq in
2. Deviation of the actual weight of the nominal can be up to 10%

					Art.	2017-1T-25			
					4" Galvanized Steel Micro Slot Drain				
Rev.	Sheet	Doc. No.	Sign.	Data	2017-1T-25	Let.	Weight (lb)	Scale	
				11.09.18			5.16	1:4	
						Sheet	Sheets 1		
					Galvanized Steel		