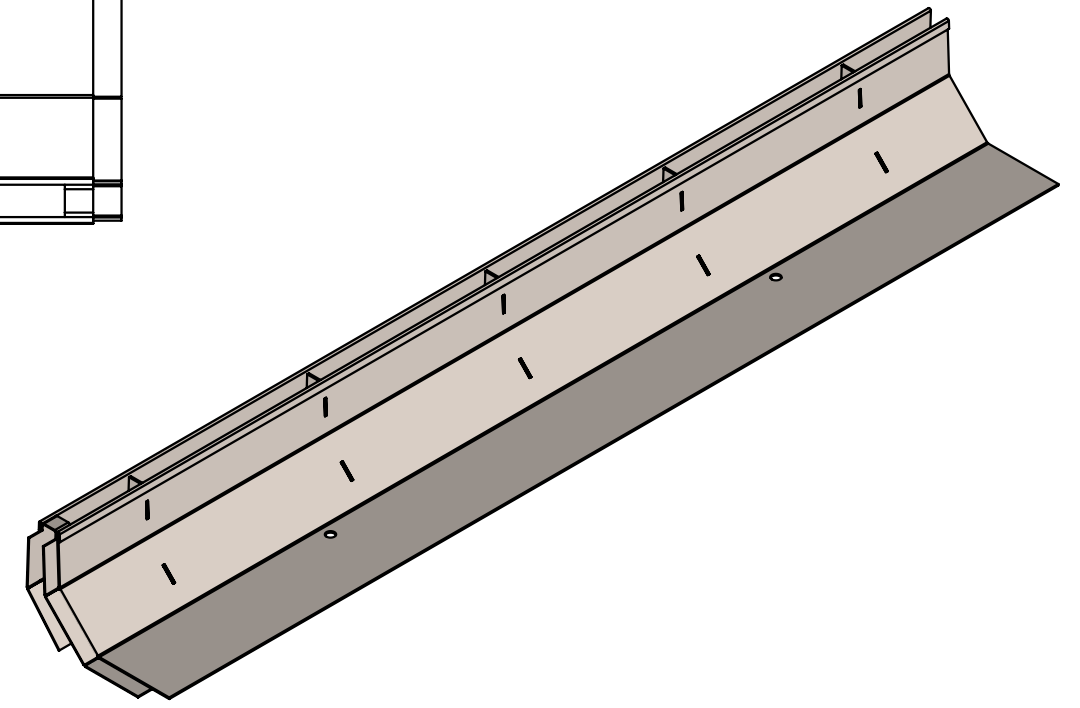
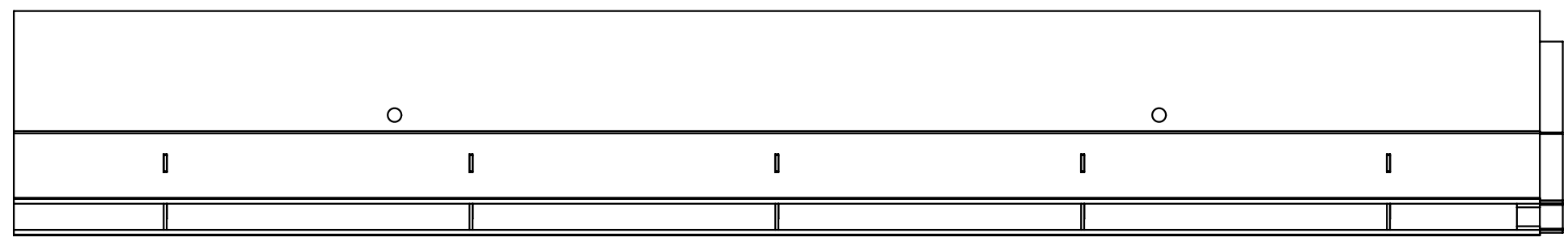
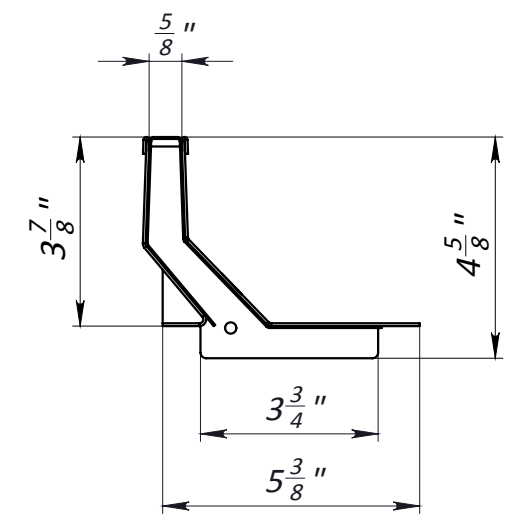
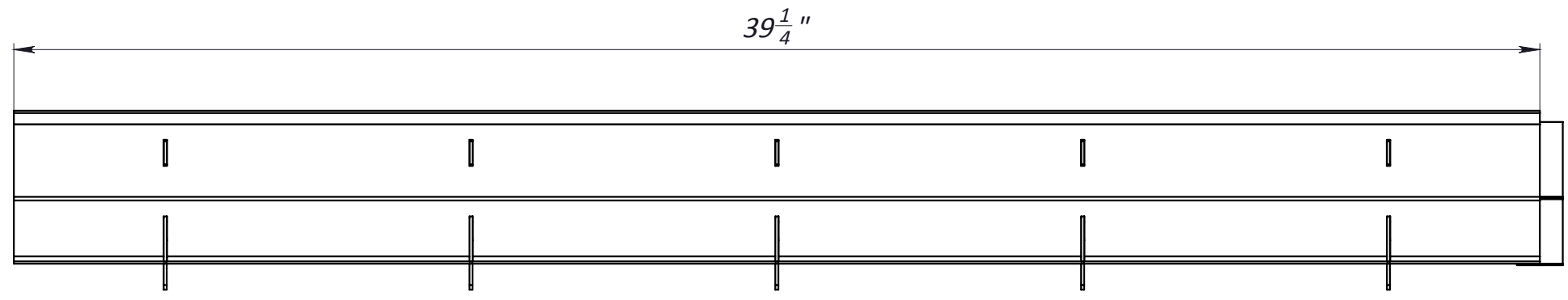


Primary Usage
Reference No.
Sign. and date
Copy inv. No.
Repl. Inv. No.
Sign. and date
Orig. Inv. No.

4" Galvanized Steel Wall Slot Drain



- 1. Area of water intake slots 26 sq in
- 2. Deviation of the actual weight of the nominal can be up to 10%

					Art. 2017-1L-100			
					4" Galvanized Steel Wall Slot Drain			
Rev.	Sheet	Doc. No.	Sign.	Data	<b>2017-1L-100</b>	Let.	Weight (lb)	Scale
							9.94	1:4
						Sheet	Sheets 1	
					Galvanized Steel		