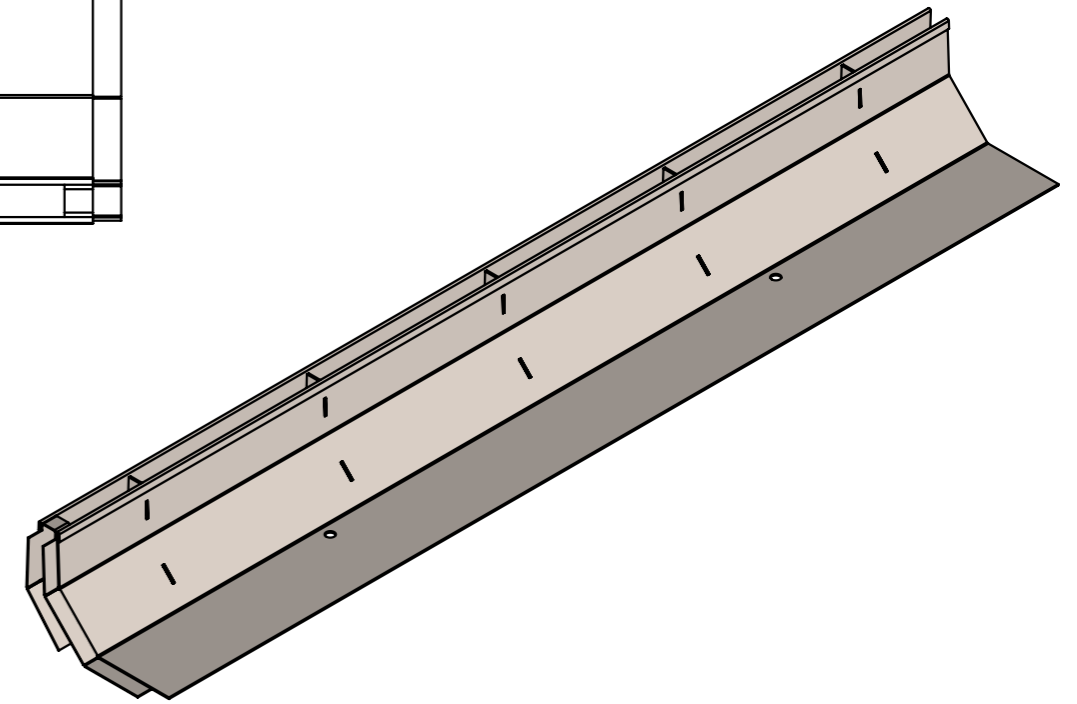
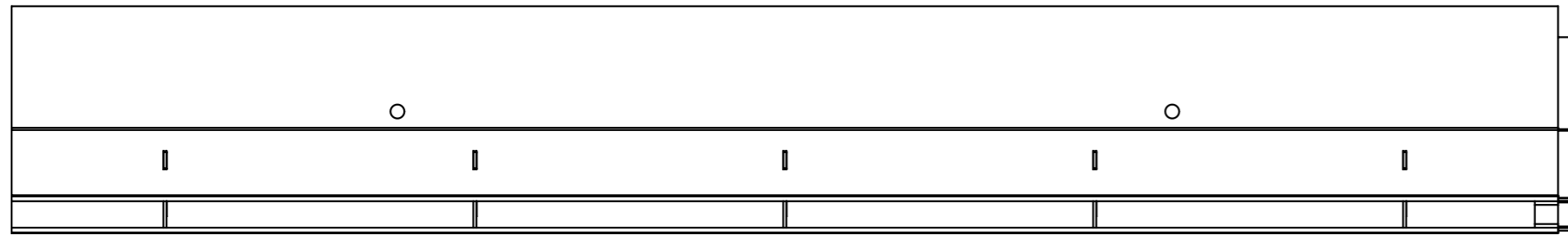
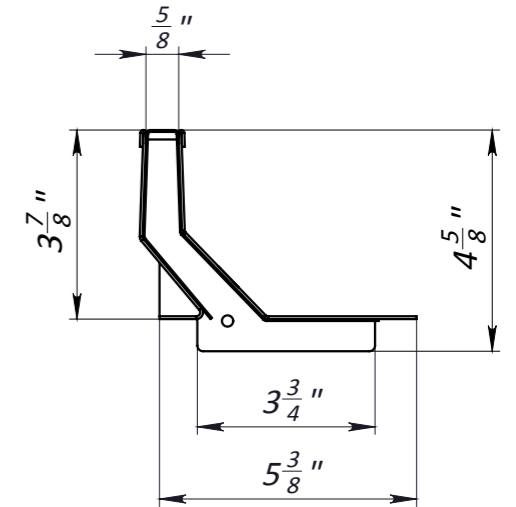
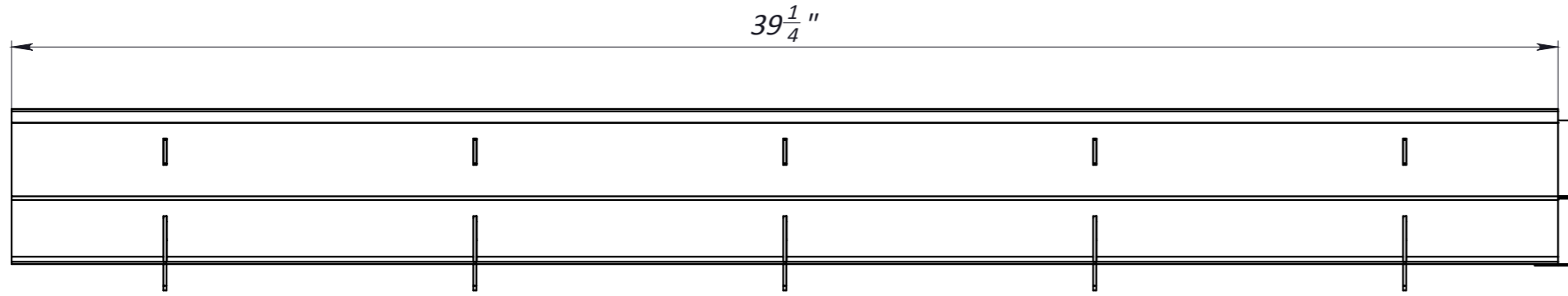


Primary Usage
Reference No.
Sign. and date
Copy inv. No.
Repl. Inv. No.
Sign. and date
Orig. Inv. No.

4" Stainless Steel Wall Slot Drain



1. Area of water intake slots 26 sq in
2. Deviation of the actual weight of the nominal can be up to 10%

					Art. 2097-1L-100			
					4" Stainless Steel Wall Slot Drain			
Rev.	Sheet	Doc. No.	Sign.	Data	2097-1L-100	Let.	Weight (lb)	Scale
							9.94	1:4
						Sheet	Sheets 1	
					Stainless Steel			