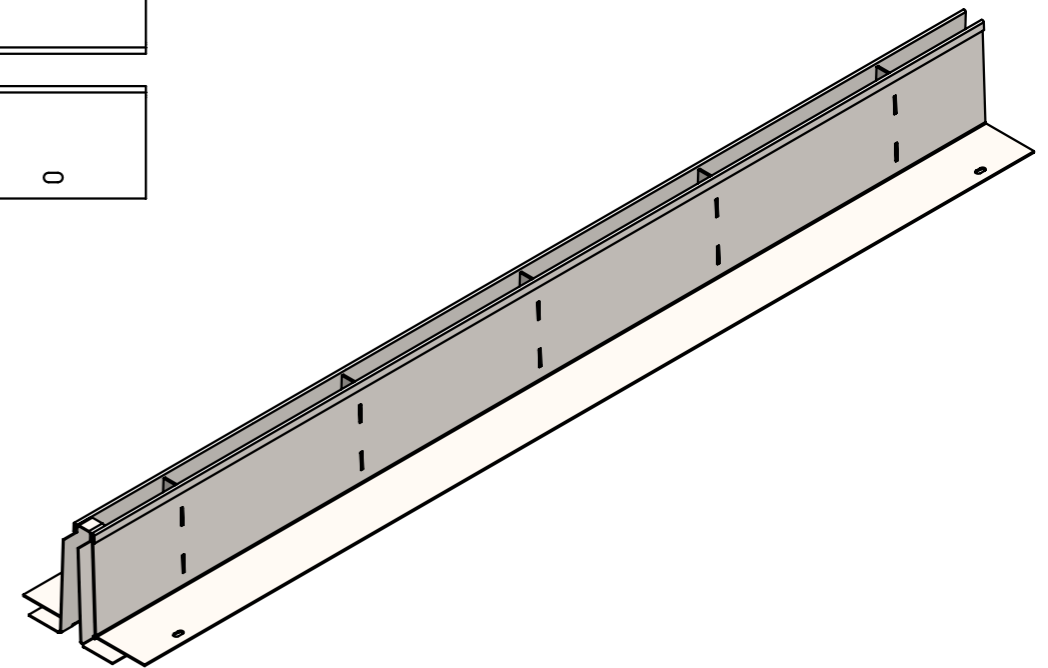
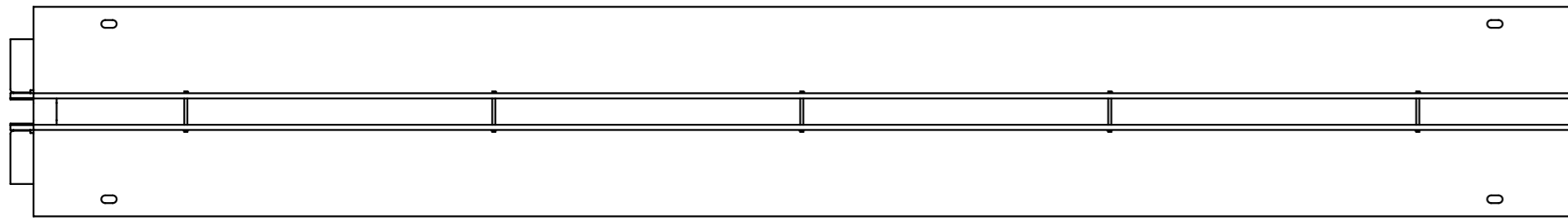
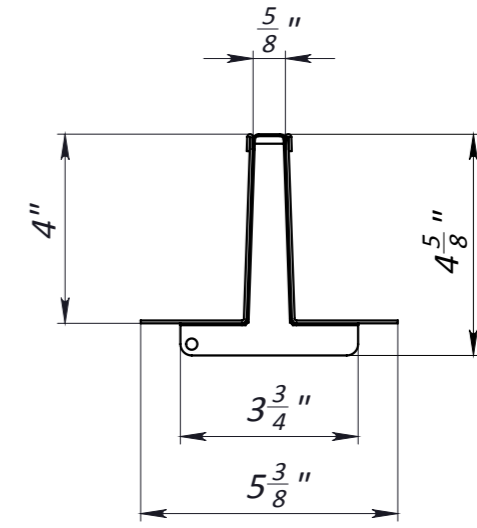
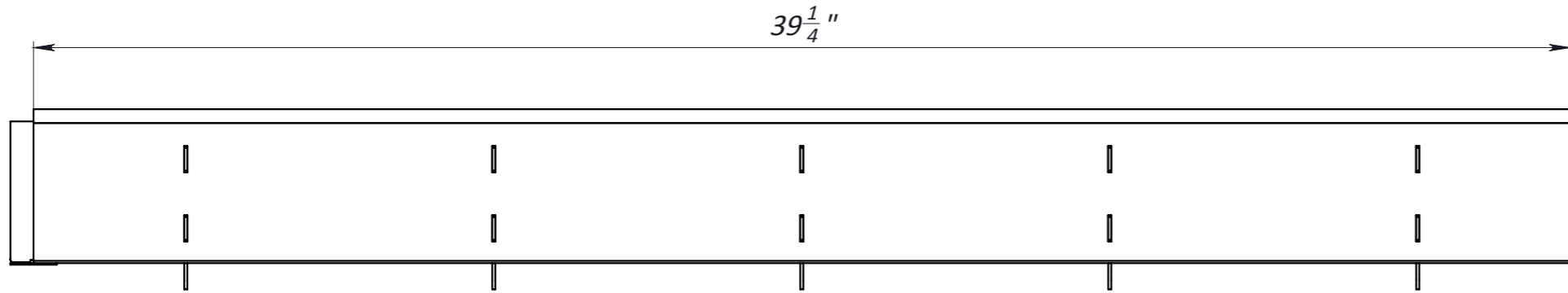


Primary Usage
Reference No.
Sign. and date
Copy inv. No.
Repl. Inv. No.
Sign. and date
Orig. Inv. No.

4" Stainless Steel Slot Drain



- 1. Area of water intake slots 26 sq in
- 2. Deviation of the actual weight of the nominal can be up to 10%

					Art. 2097-1T-100		
					4" Stainless Steel Slot Drain		
					2097-1T-100		
Rev.	Sheet	Doc. No.	Sign.	Data	Let.	Weight (lb)	Scale
				11.09.18		4.23	1:4
					Sheet		Sheets 1
					Stainless Steel		