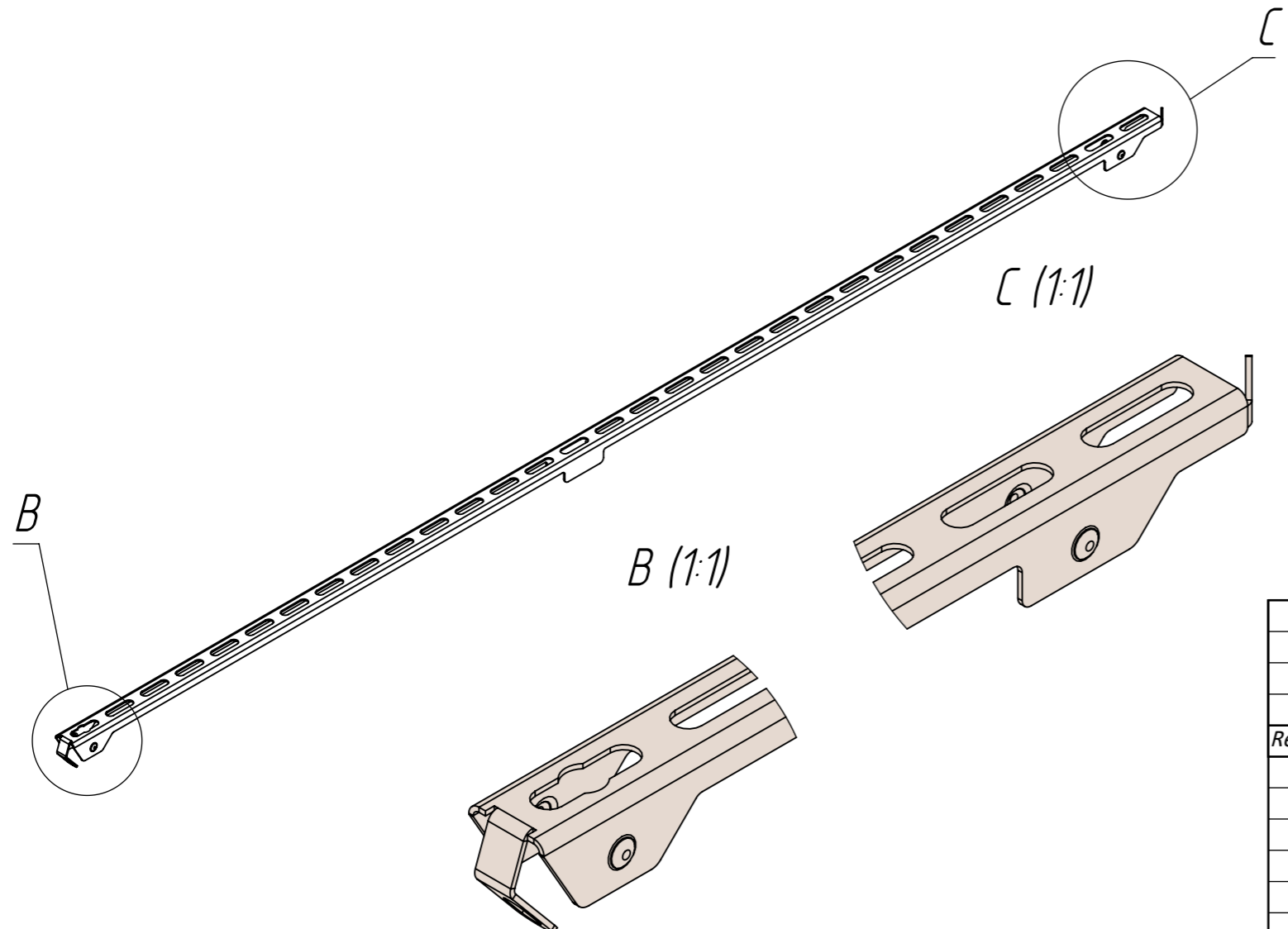
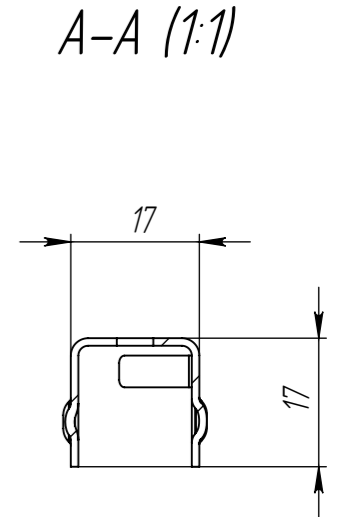
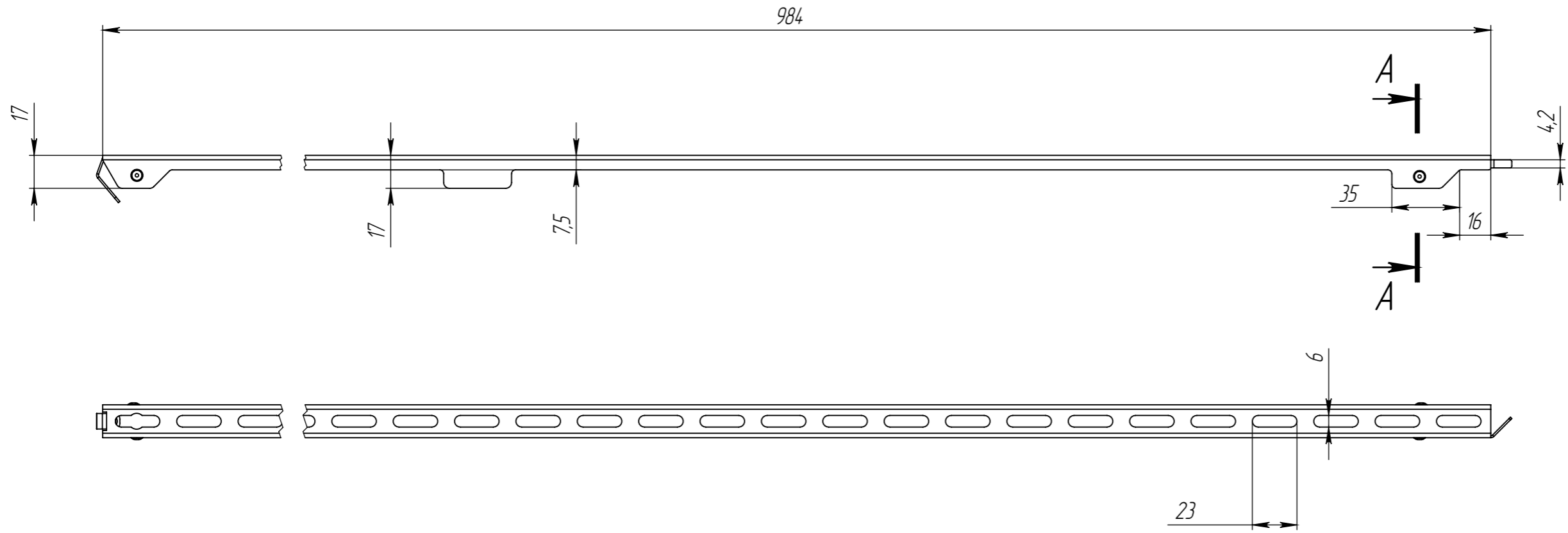


Primary Usage
Reference No.
Sign. and date
Copy inv. No.
Repl. Inv. No.
Sign. and date
Orig. Inv. No.



Rev.	Sheet	Doc. No.	Sign.	Data
				30.07.2020

Art. SSSDS10-2.2.10		
NV-17.17.1000-NS - SSSDS10-2.2.10		
Slot drain insert cover 1000 MM		
Let.	Weight	Scale
	0.21	1:2.5
Sheet	Sheets 1	
Stainless Steel		STANDARTPARK®