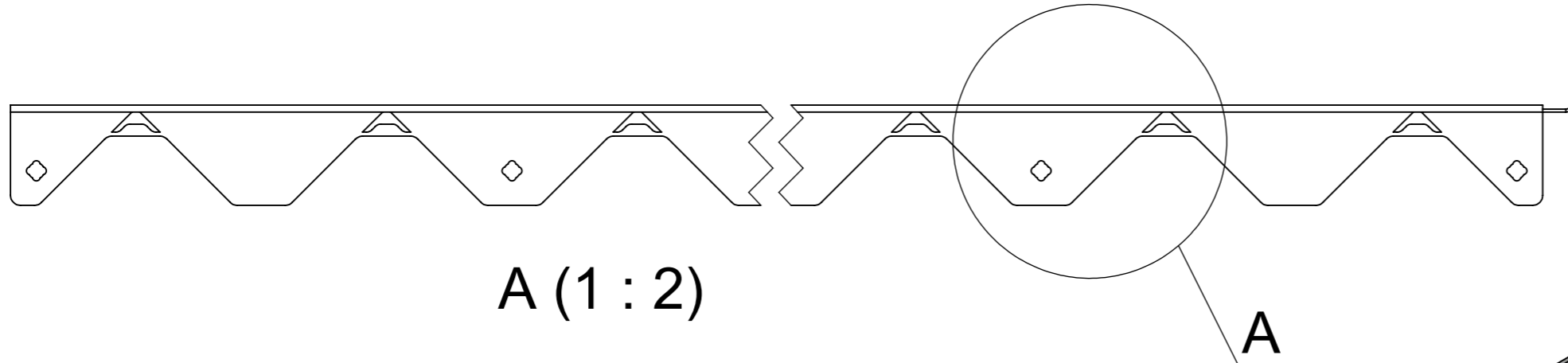
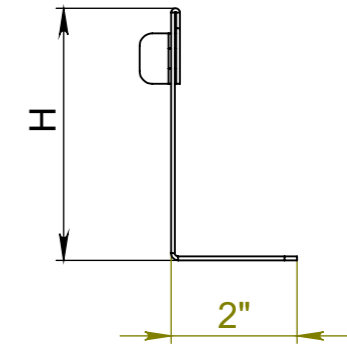
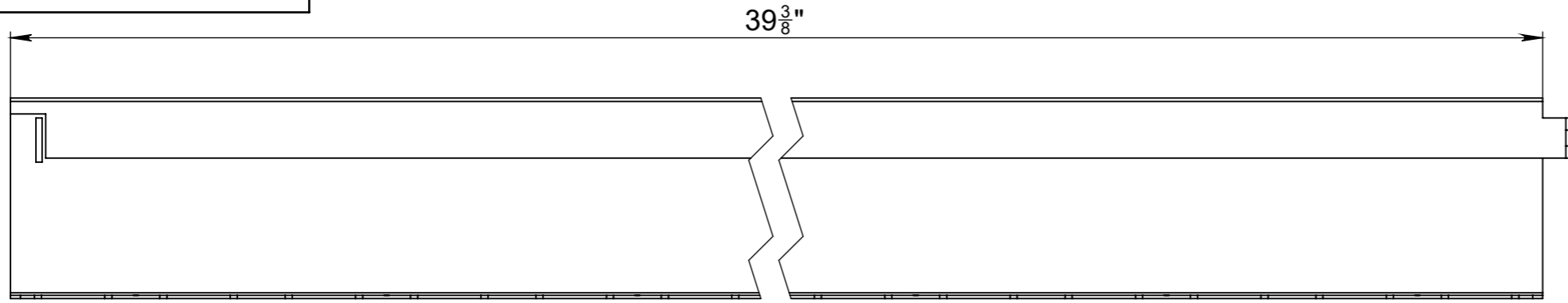
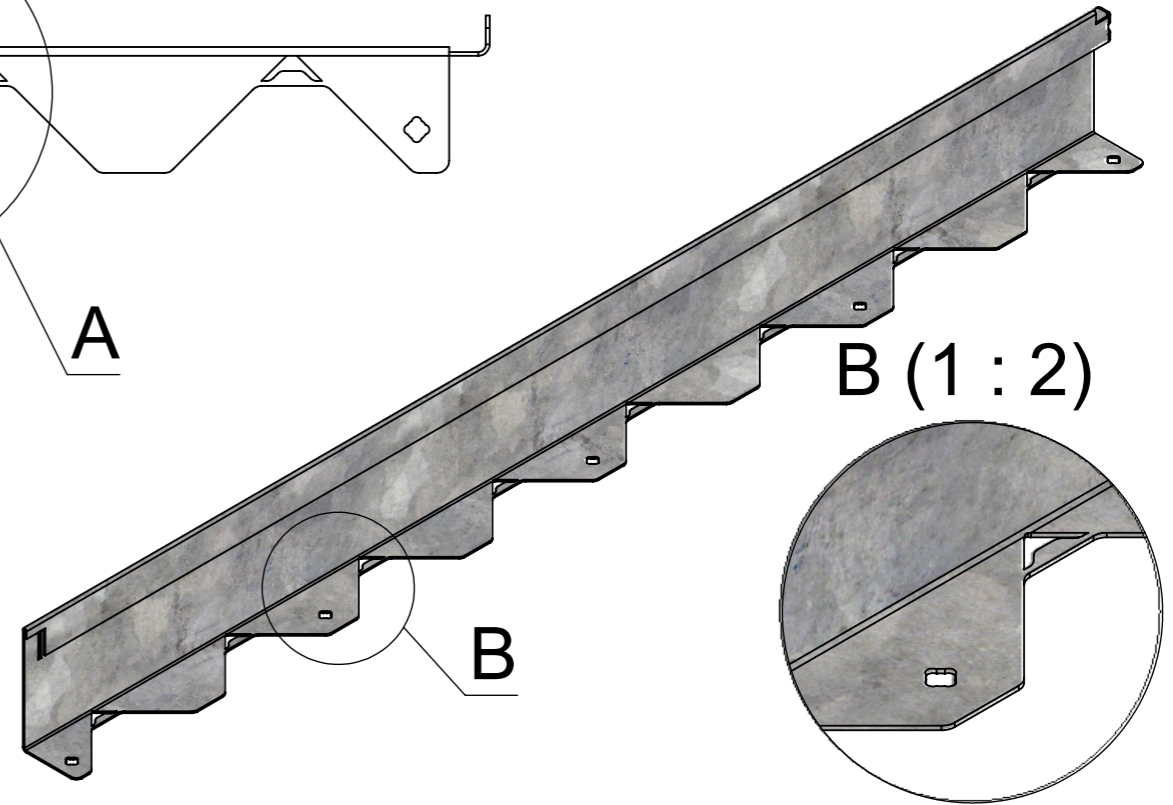
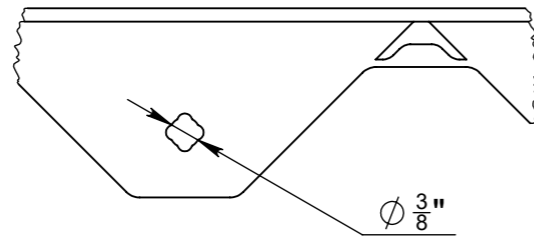


Primary Usage
Reference No.
Sign. and date
Copy inv. No.
Repl. Inv. No.
Sign. and date
Orig. Inv. No.



A (1 : 2)



B (1 : 2)

- * - Dimensions for reference;
- Unspecified marginal deviation of dimensions H14, h14, ±IT14/2;
- Delivery and packaging are carried out in accordance with the terms of the contract
- The manufacturer reserves the right, without notice to the consumer, to make changes to the design of the products for improvement their technological and operational parameters, which will not affect the quality and properties of the product.

No	Name	Article	Mass (lb)	Material	H
1	Stainless Steel Edging - H2	SSED-50	2.84	Stainless Steel	2
2	Stainless Steel Edging - H4	SSED-100	4.14	Stainless Steel	4
3	Stainless Steel Edging - H6	SSED-150	5.44	Stainless Steel	6
4	Stainless Steel Edging - H8	SSED-200	6.74	Stainless Steel	8
5	Galvanized Steel Edging - H2	GSED-50	2.84	Galvanized Steel	2
6	Galvanized Steel Edging - H4	GSED-100	4.14	Galvanized Steel	4
7	Galvanized Steel Edging - H6	GSED-150	5.44	Galvanized Steel	6
8	Galvanized Steel Edging - H8	GSED-200	6.74	Galvanized Steel	8
9	Aluminium Edging - H2	ALED-50	0.97	Aluminium	2
10	Aluminium Edging - H4	ALED-100	1.42	Aluminium	4
11	Aluminium Edging - H6	ALED-150	1.87	Aluminium	6
12	Aluminium Edging - H6	ALED-150	2.31	Aluminium	8

Rev.	Sheet	Doc. No.	Sign.	Data	Art.		
Steel Edging					Let.	Weight (lb)	Scale
							1:5
					Sheet	Sheets 1	