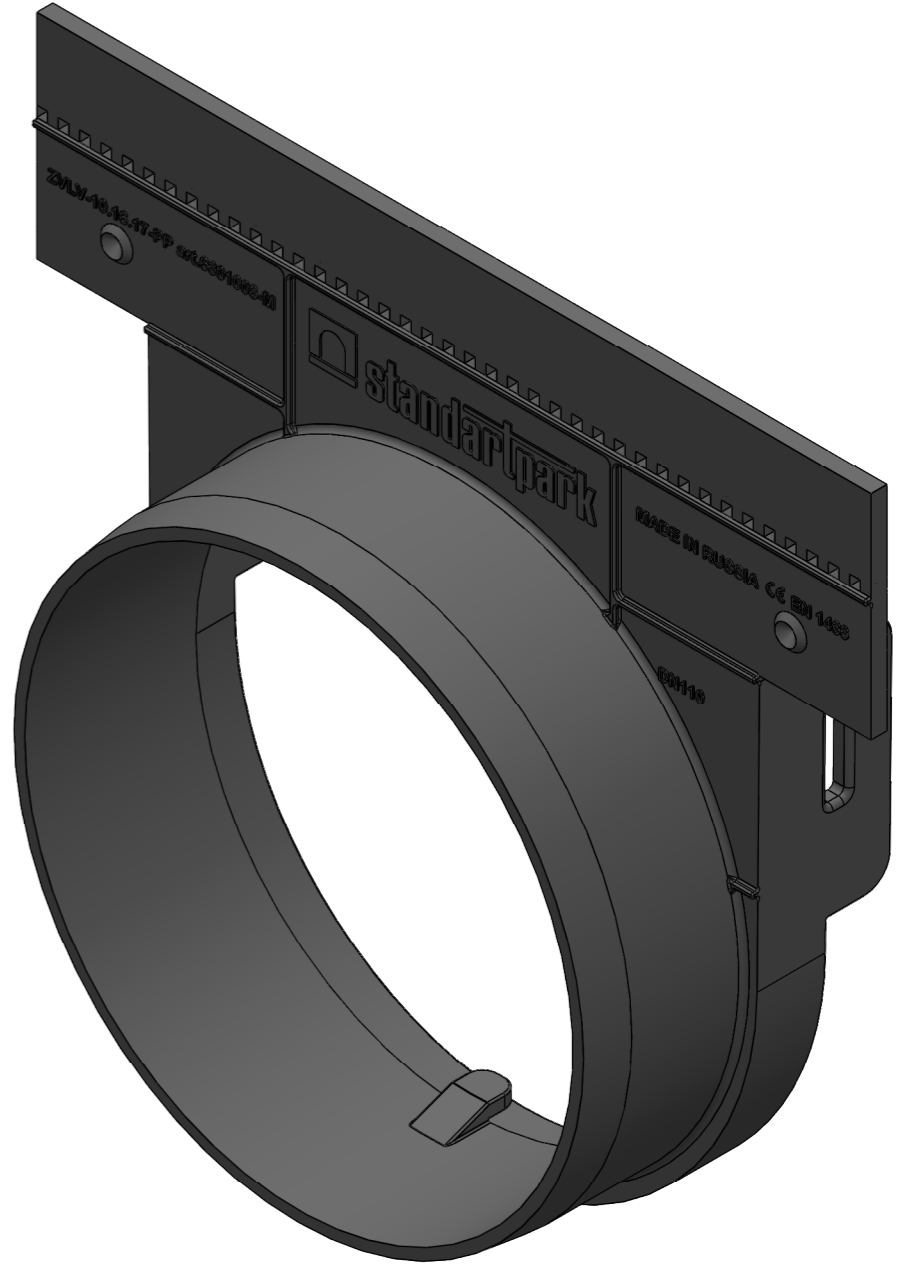
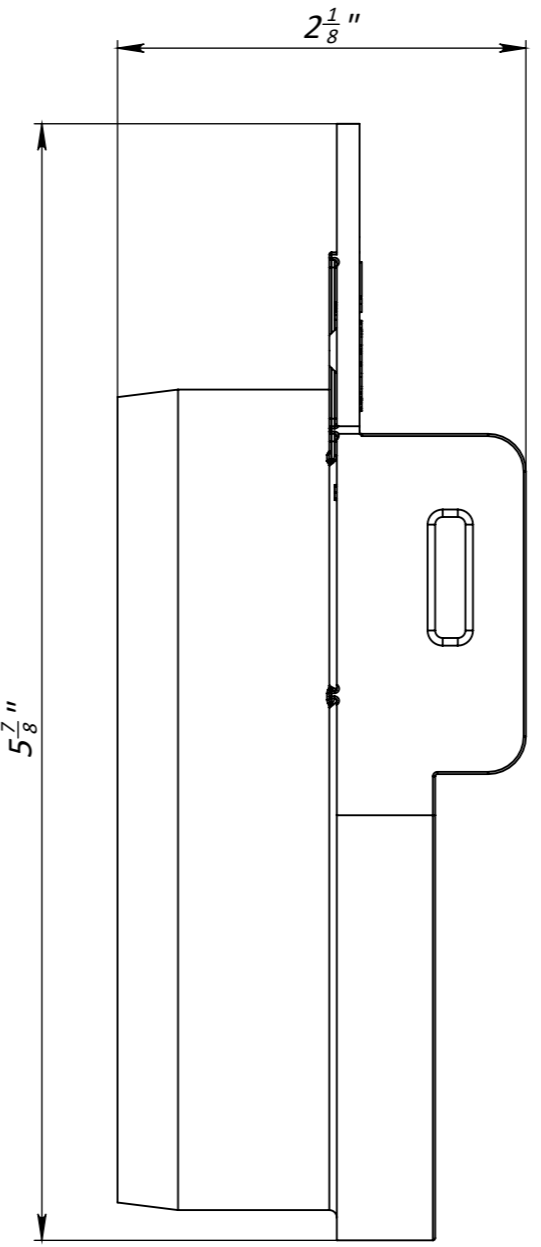
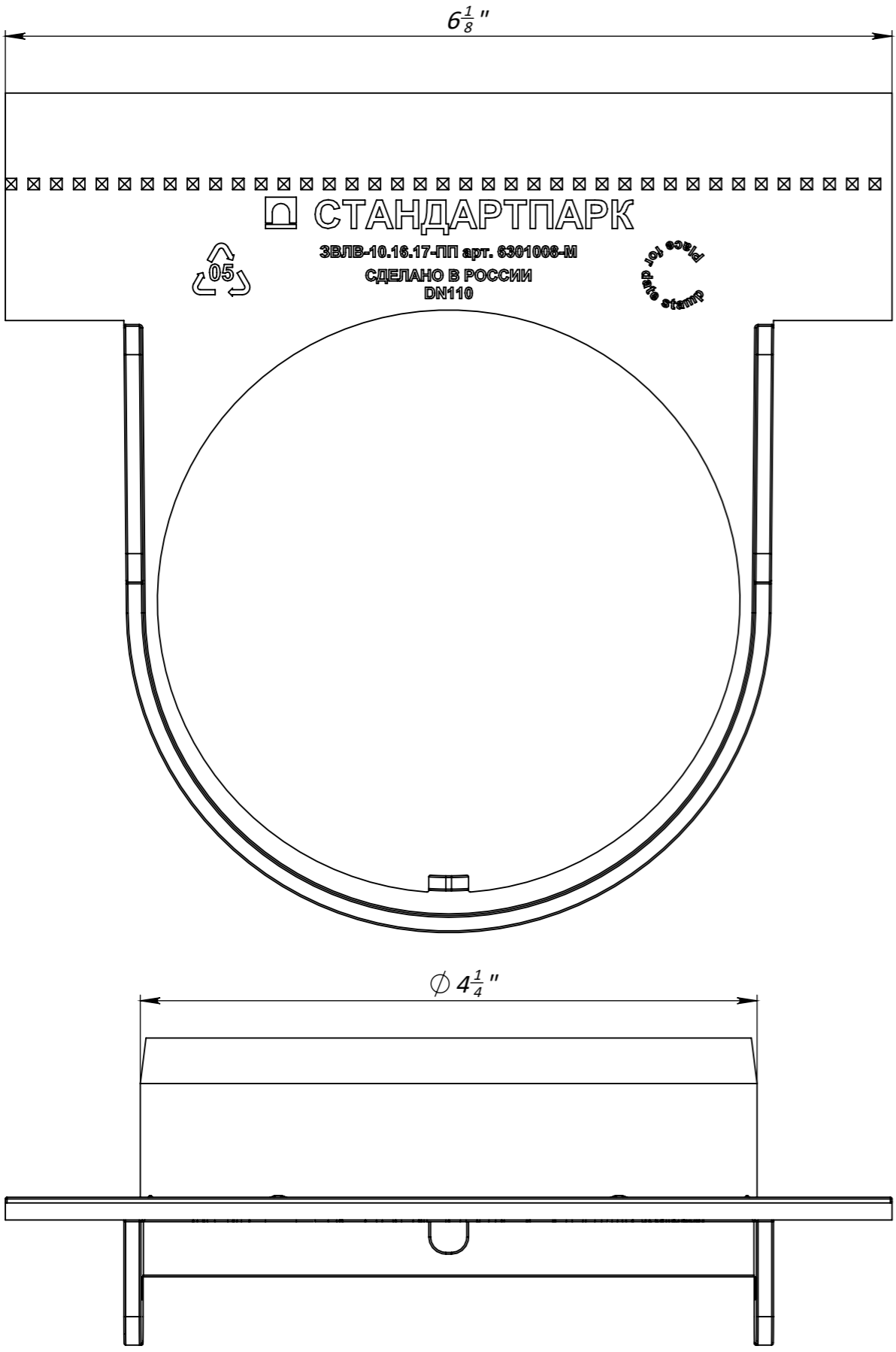


| |
|----------------|
| Primary Usage |
| Reference No. |
| Sign. and date |
| Copy inv. No. |
| Repl. Inv. No. |
| Sign. and date |
| Orig. Inv. No. |

4" End Cap with outlet



1. Deviation of the actual weight of the nominal can be up to 12%

| | | | | | | | | |
|------|-------|----------|-------|----------|------------------------|------|-------------|-------|
| | | | | | Art. 6301008-M | | | |
| | | | | | 4" End Cap with outlet | | | |
| Rev. | Sheet | Doc. No. | Sign. | Data | 6301008-M | Let. | Weight (lb) | Scale |
| | | | | 18.09.19 | | | 0.13 | 1:2 |
| | | | | | Sheet | | Sheets 1 | |
| | | | | | Plastic | | | |
| | | | | | | | | |