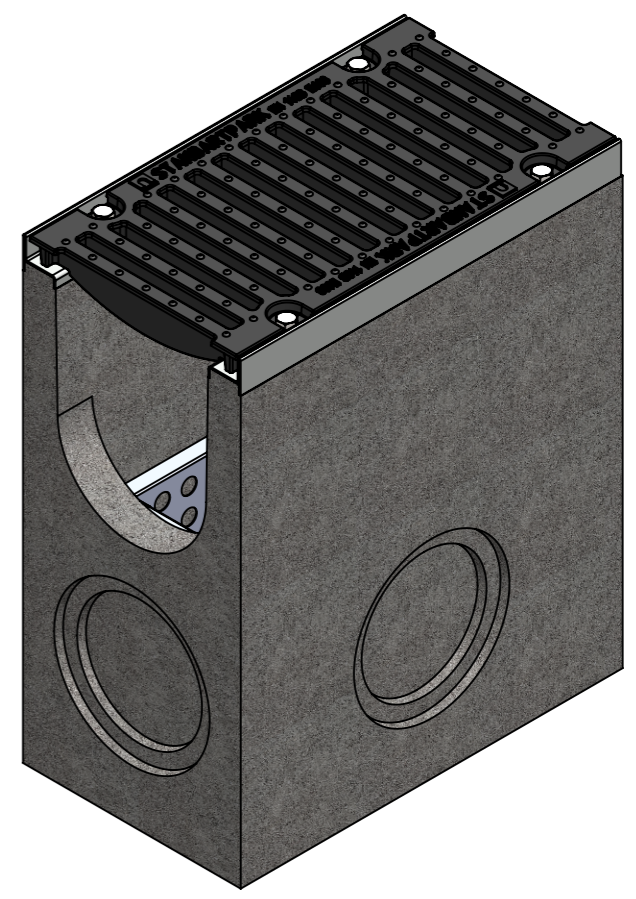
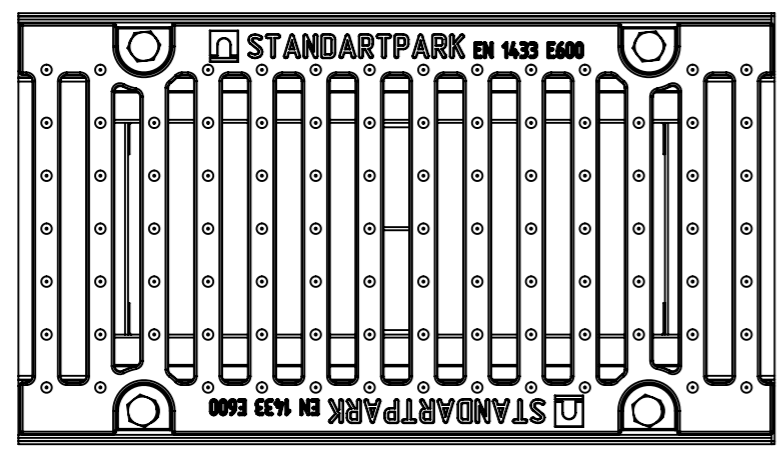
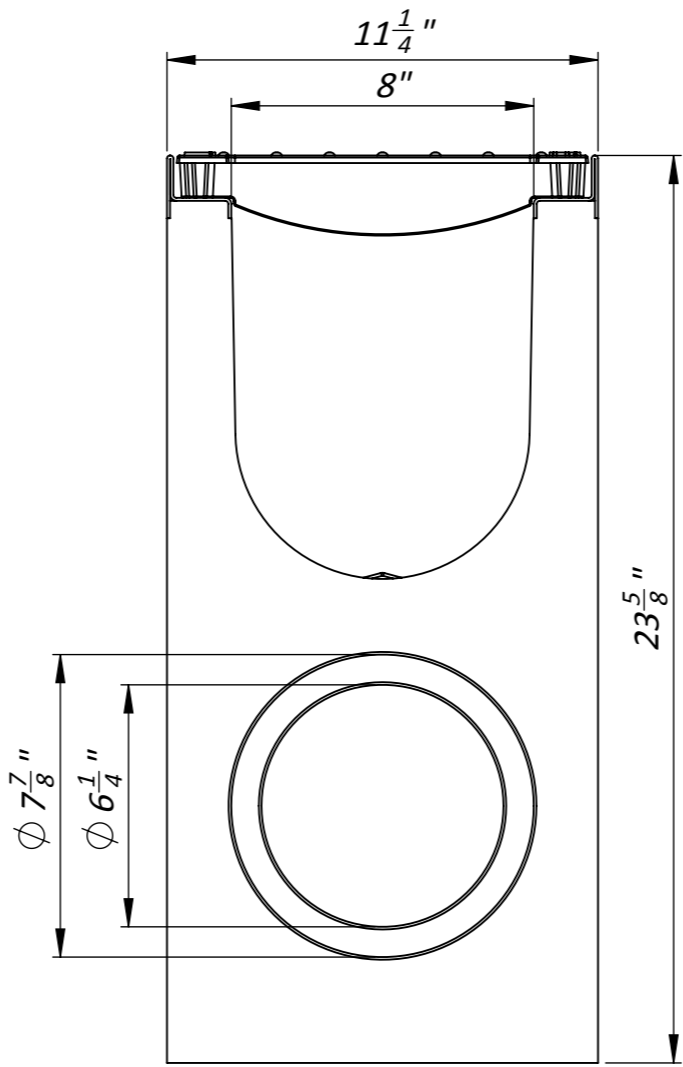
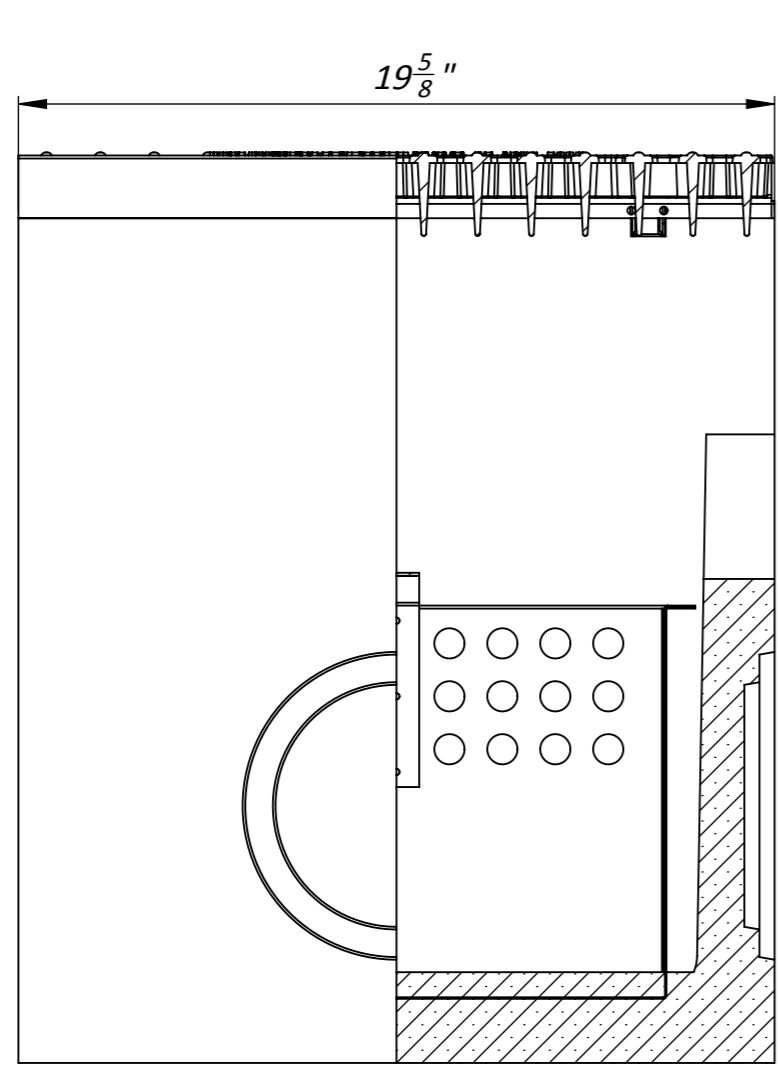


Primary Usage	Reference No.	Sign. and date	Copy inv. No.	Repl. Inv. No.	Sign. and date	Orig. Inv. No.
---------------	---------------	----------------	---------------	----------------	----------------	----------------

8" Concrete Sand Trap



1. Area of water intake slots 75 sq in
2. Deviation of the actual weight of the nominal can be up to 8%

					Art. 04580			
					8" Concrete Sand Trap			
					04580	Let.	Weight (lb)	Scale
							224.04	1:5
					Load Class E		Sheet	Sheets 1
					Concrete, Steel, Ductile Cast Iron		