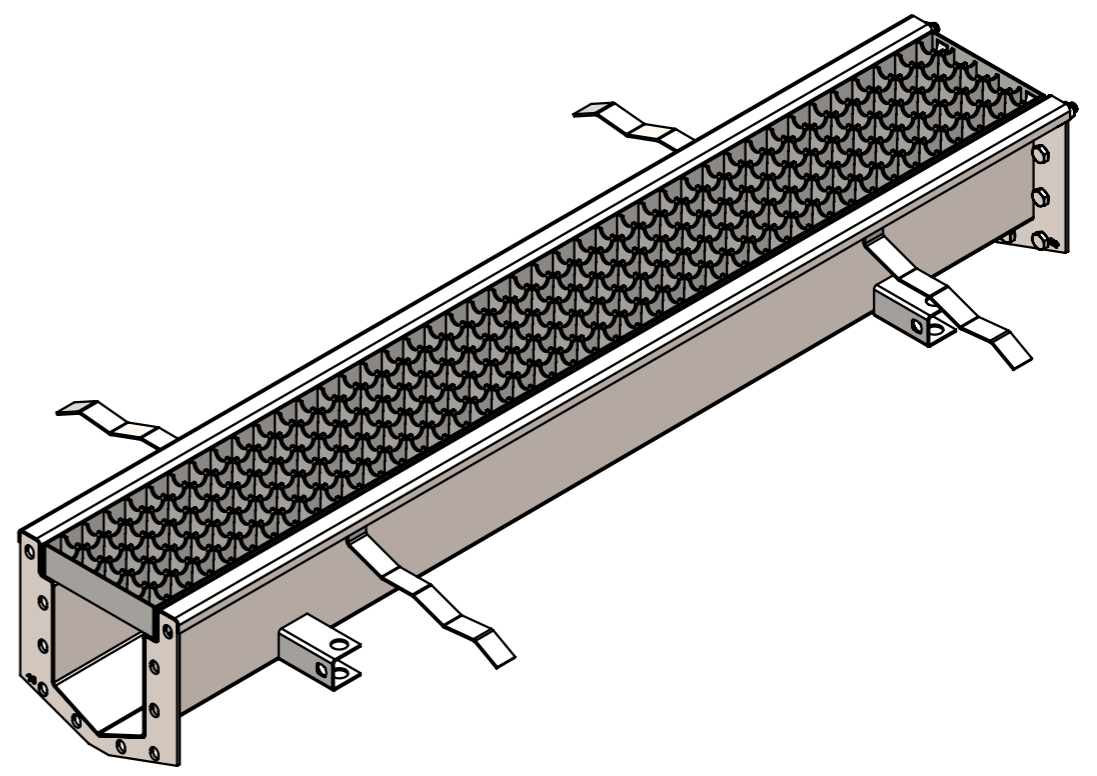
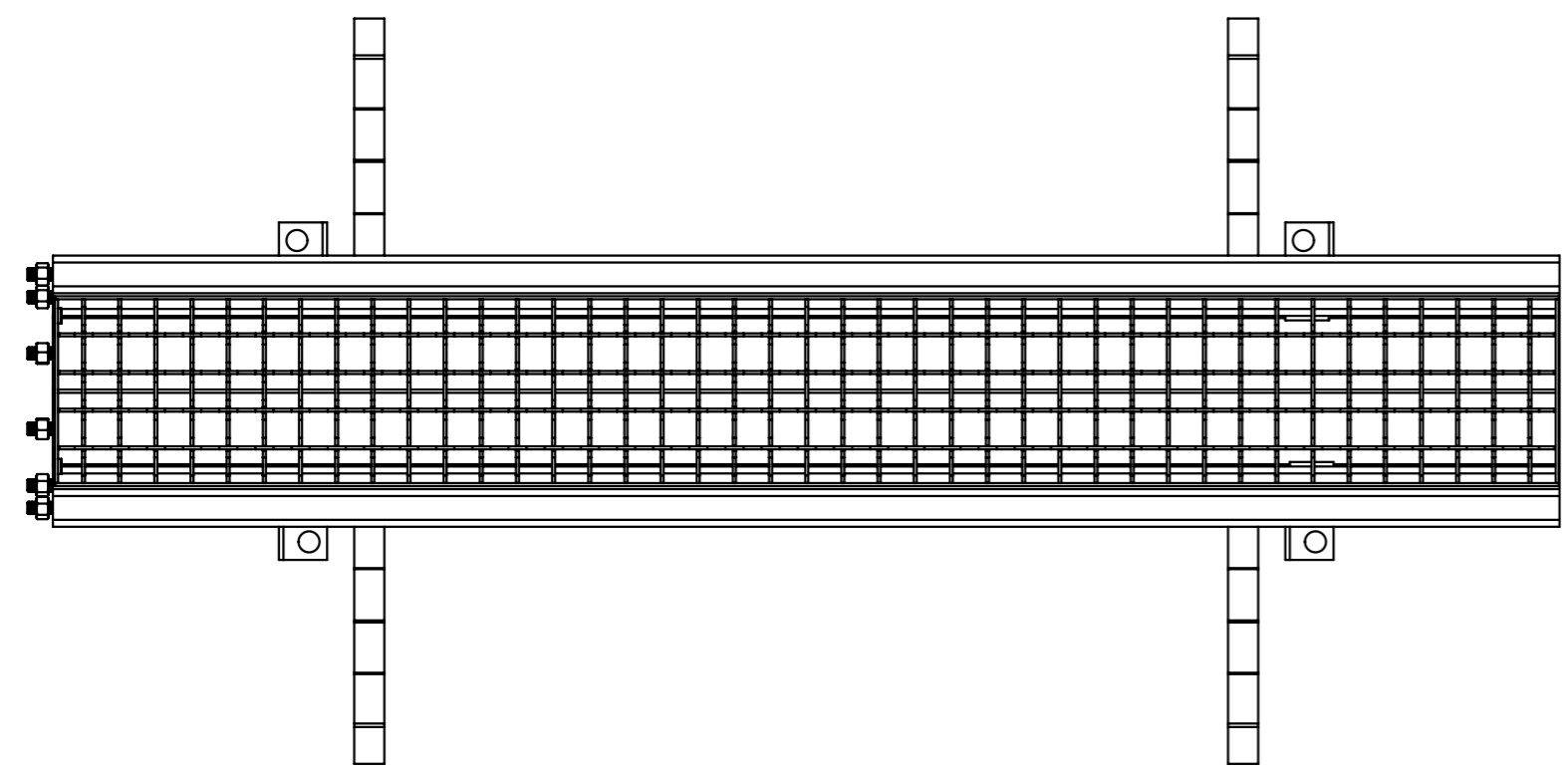
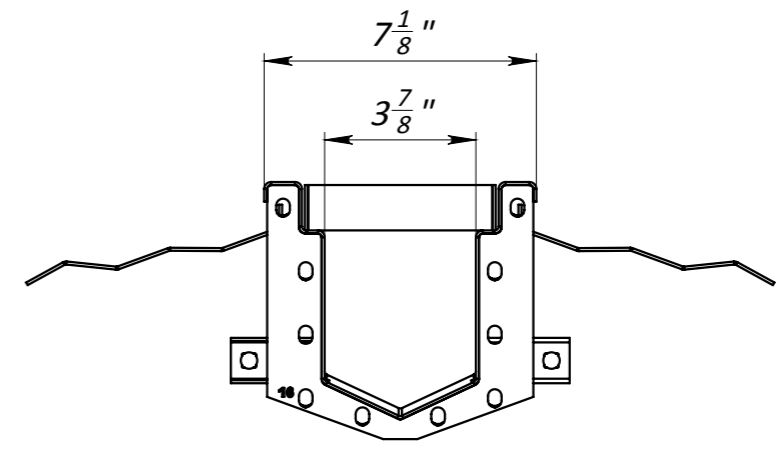
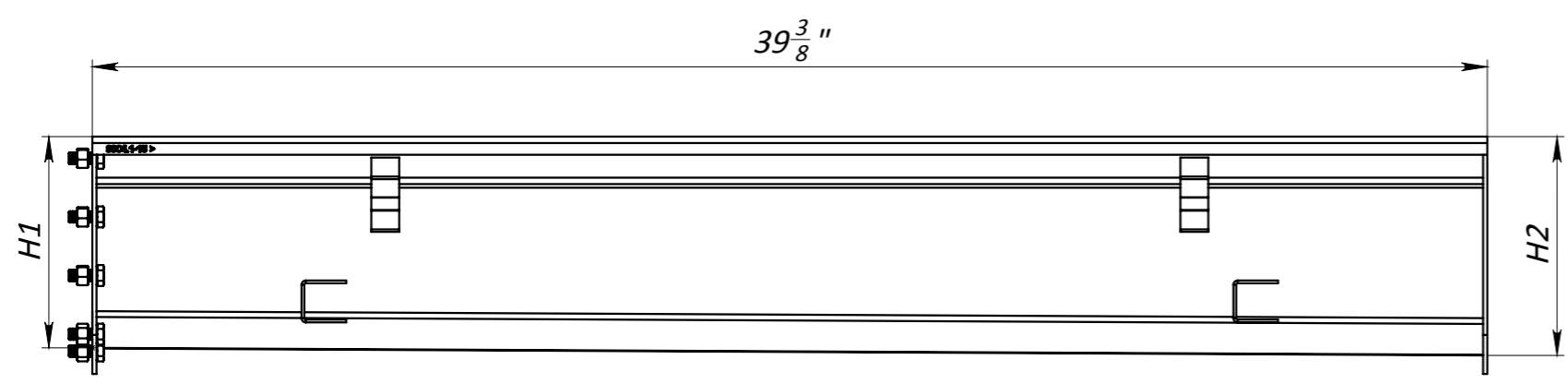


Primary Usage
Reference No.
Sign. and date
Copy inv. No.
Repl. Inv. No.
Sign. and date
Orig. Inv. No.

4" Stainless Steel Channel Sloped



No	Article	H1, inch	H2, inch
1	SSC4.1-01	3.1	3.3
2	SSC4.1-02	3.3	3.5
3	SSC4.1-03	3.5	3,7
4	SSC4.1-04	3.7	3.9
5	SSC4.1-05	3.9	4.1
6	SSC4.1-06	4.1	4.3
7	SSC4.1-07	4.3	4.5
8	SSC4.1-08	4.5	4.7
9	SSC4.1-09	4.7	4.9
10	SSC4.1-10	4.9	5.1
11	SSC4.1-11	5.1	5.3
12	SSC4.1-12	5.3	5.5
13	SSC4.1-13	5.5	5.7
14	SSC4.1-14	5.7	5.9
15	SSC4.1-15	5.9	6.1

					Art.			
					4" Stainless Steel Channel Sloped			
Rev.	Sheet	Doc. No.	Sign.	Data	SSC4.1-XX	Let.	Weight (lb)	Scale
				11.09.18				1:5
					Stainless Steel	Sheet Sheets 1		
					Stainless Steel			