

6" Stainless Steel Channel

Primary Usage

Reference No.

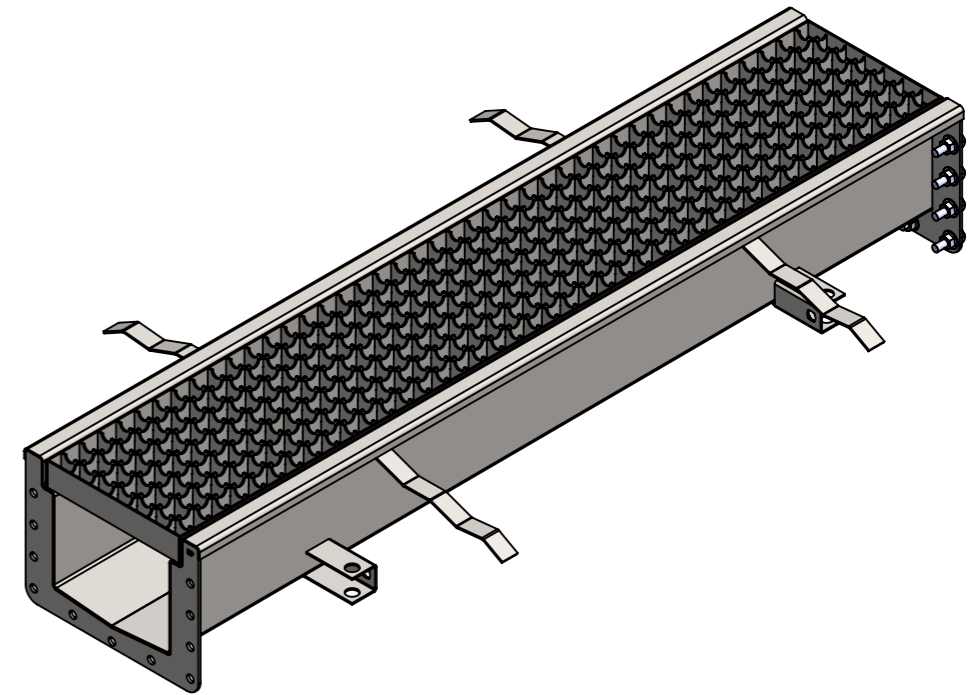
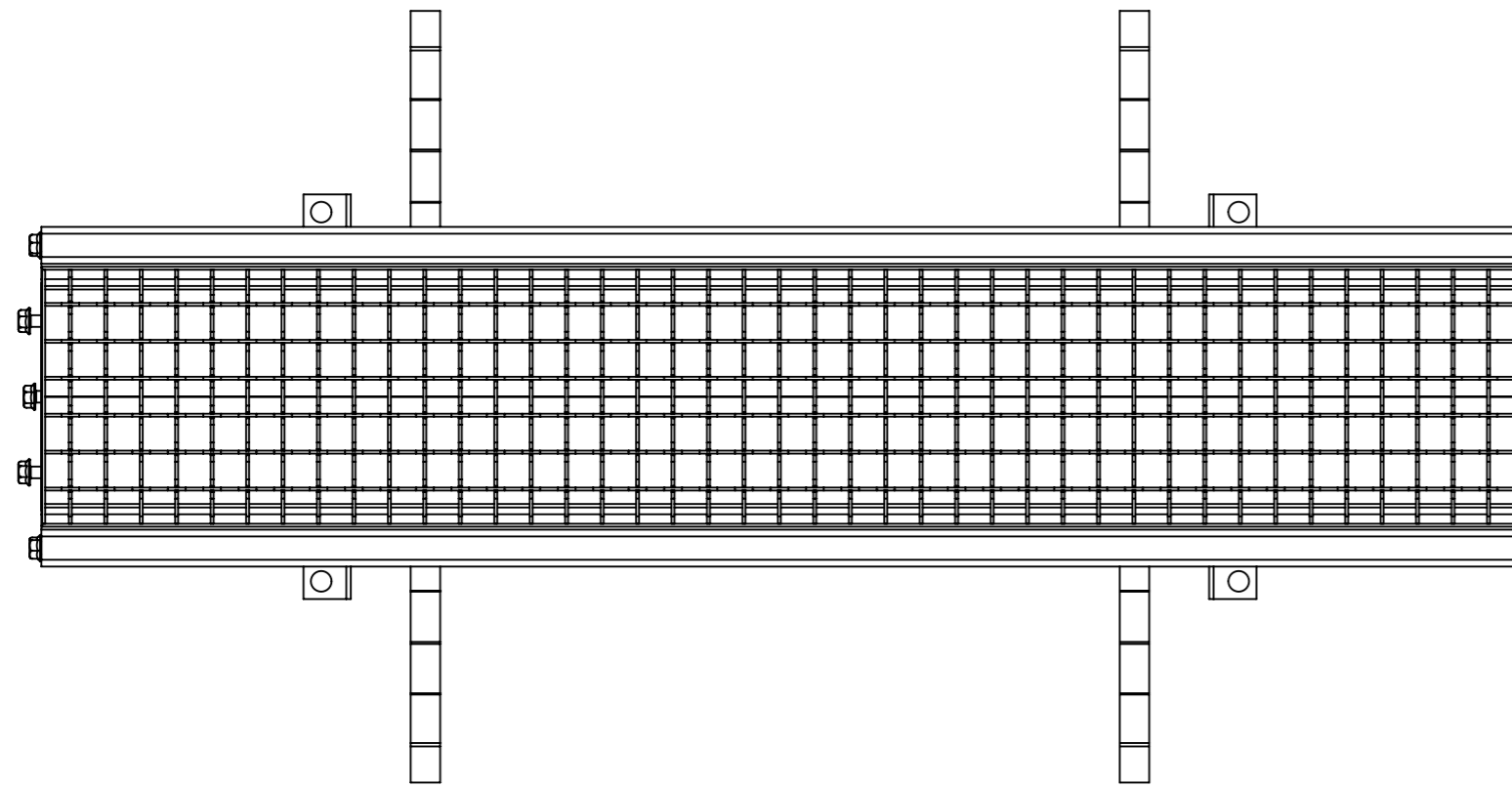
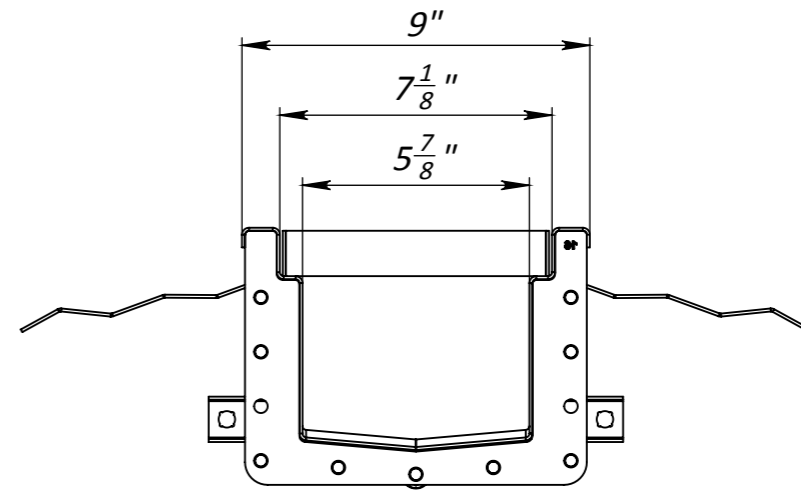
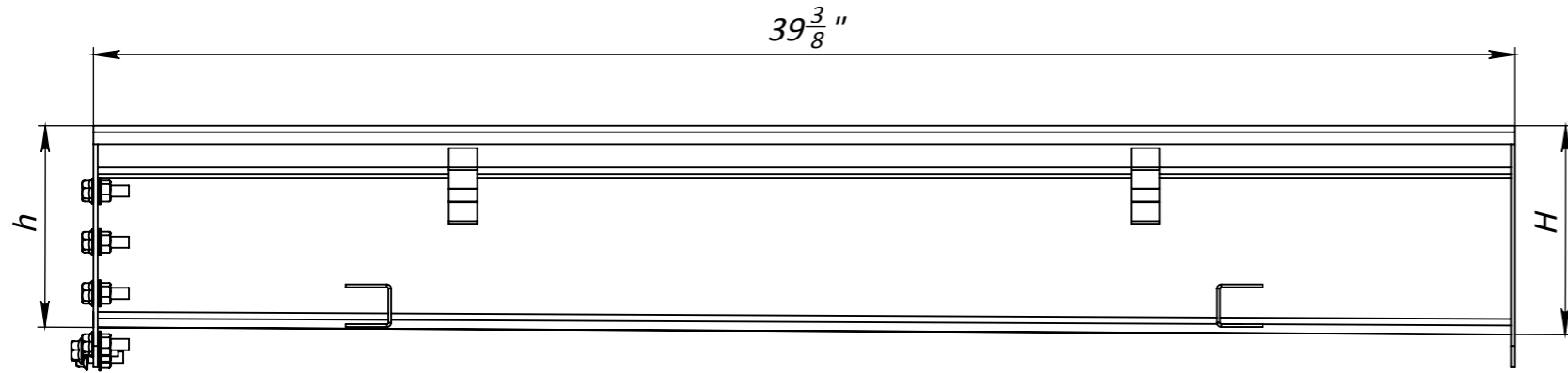
Sign. and date

Copy inv. No.

Repl. Inv. No.

Sign. and date

Orig. Inv. No.



No	Article	h, inch	H, inch
1	SSC.6.01.01	2.8	3.0
2	SSC.6.01.02	3.0	3.1
3	SSC.6.01.03	3.1	3.3
4	SSC.6.01.04	3.3	3.5
5	SSC.6.01.05	3.5	3.7
6	SSC.6.01.06	3.7	3.9
7	SSC.6.01.07	3.9	4.1
8	SSC.6.01.08	4.1	4.3
9	SSC.6.01.09	4.3	4.5
10	SSC.6.01.10	4.5	4.7
11	SSC.6.01.11	4.7	4.9
12	SSC.6.01.12	4.9	5.1
13	SSC.6.01.13	5.1	5.3
14	SSC.6.01.14	5.3	5.5
15	SSC.6.01.15	5.5	5.7

					Art.			
					6" Stainless Steel Channel Sloped			
Rev.	Sheet	Doc. No.	Sign.	Data	<b>SSC6.01.XX</b>	Let.	Weight (lb)	Scale
				11.09.18				1:5
					Sheet		Sheets 1	
					Stainless Steel			