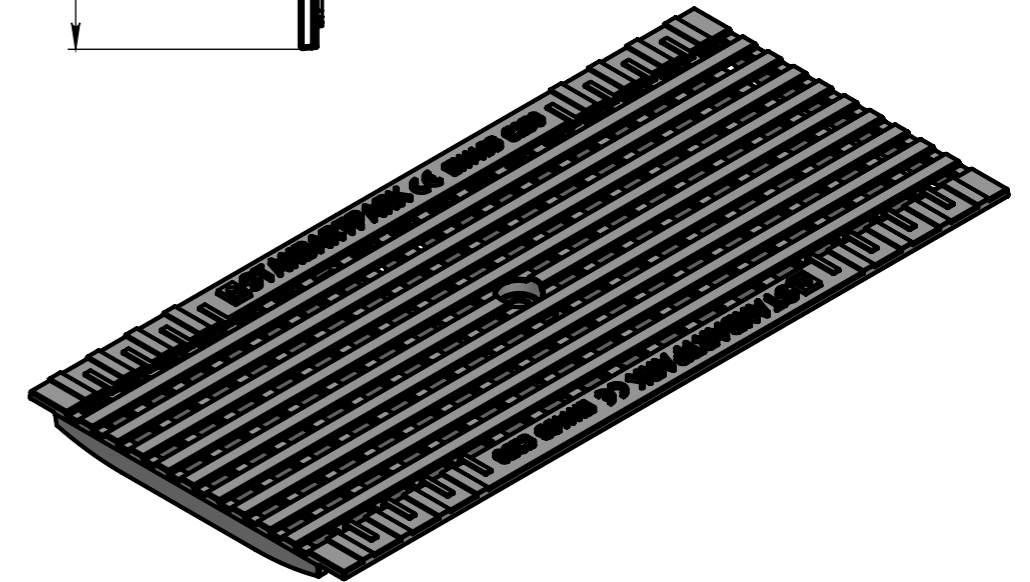
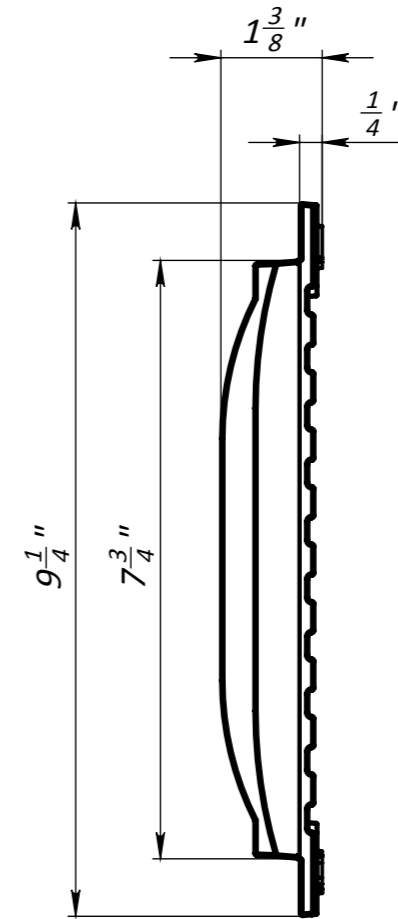
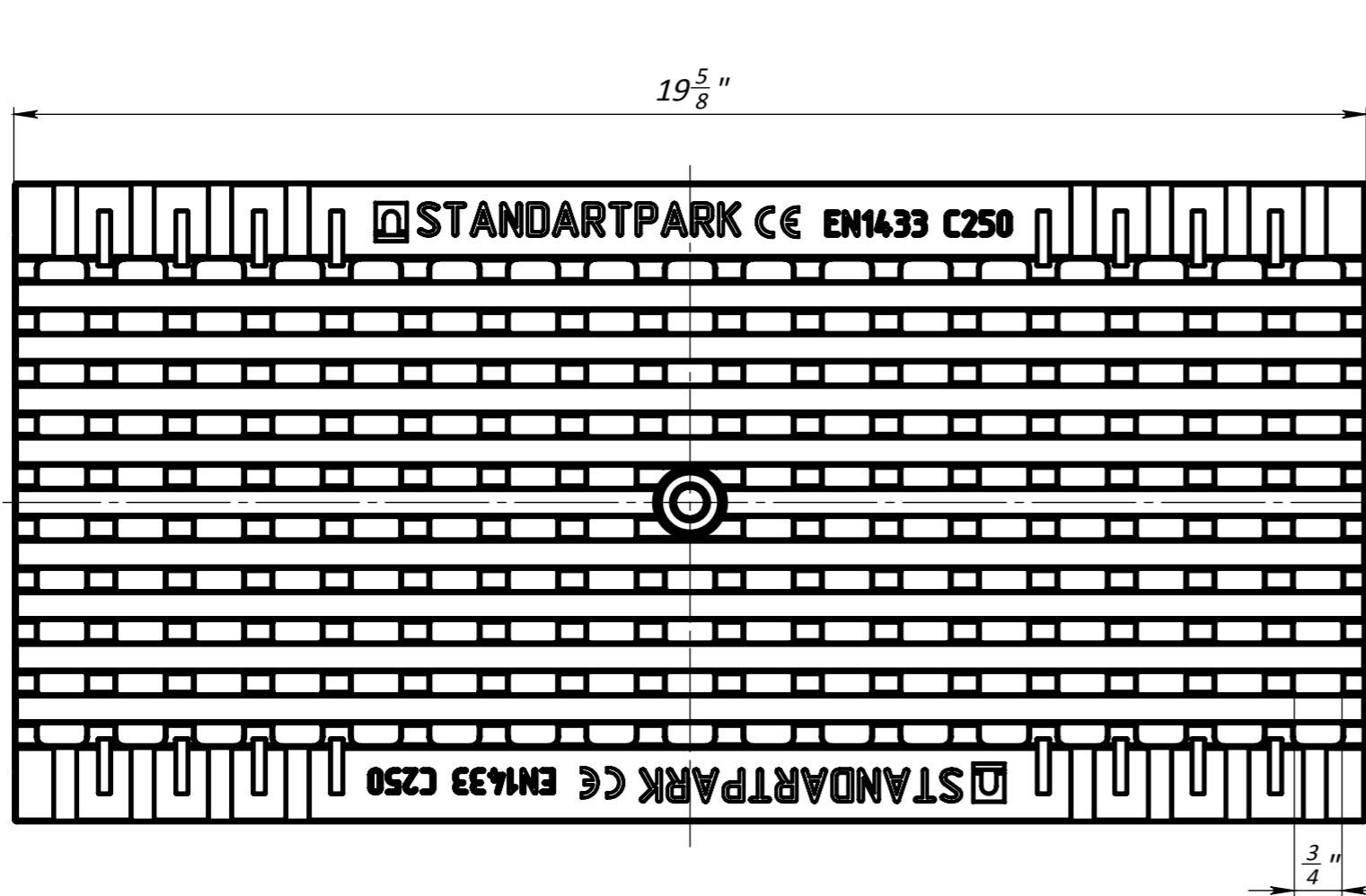


Primary Usage
Reference No.
Sign. and date
Copy inv. No.
Repl. Inv. No.
Sign. and date
Orig. Inv. No.

8" Ductile Cast Iron Grating mesh



1. Area of water intake slots 38 sq in
2. Deviation of the actual weight of the nominal can be up to 12%

					Art. 25403-ADA			
					8" Ductile Cast Iron Grating mesh			
Rev.	Sheet	Doc. No.	Sign.	Data	25403-ADA	Let.	Weight (lb)	Scale
				11.09.18			15.5	1:2.5
					Load Class C		Sheet	Sheets 1
					Ductile Cast Iron		