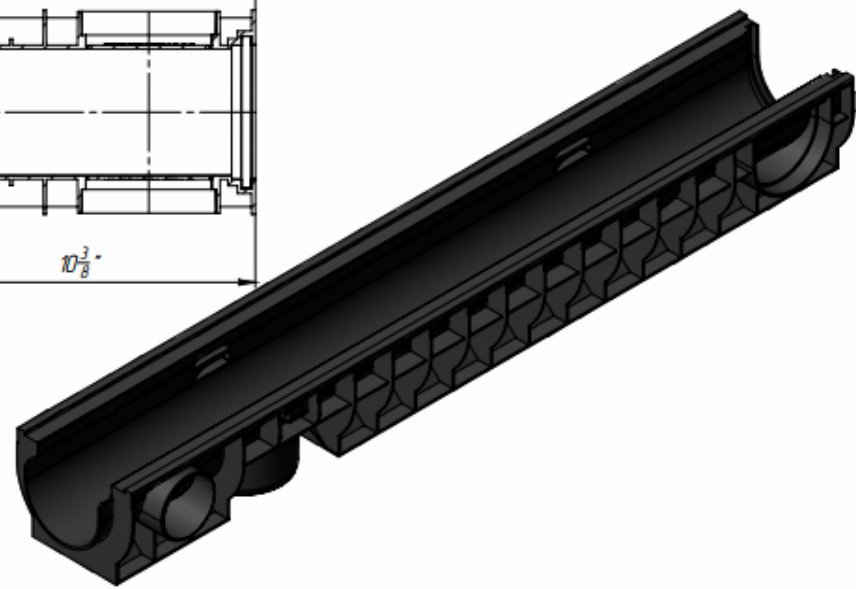
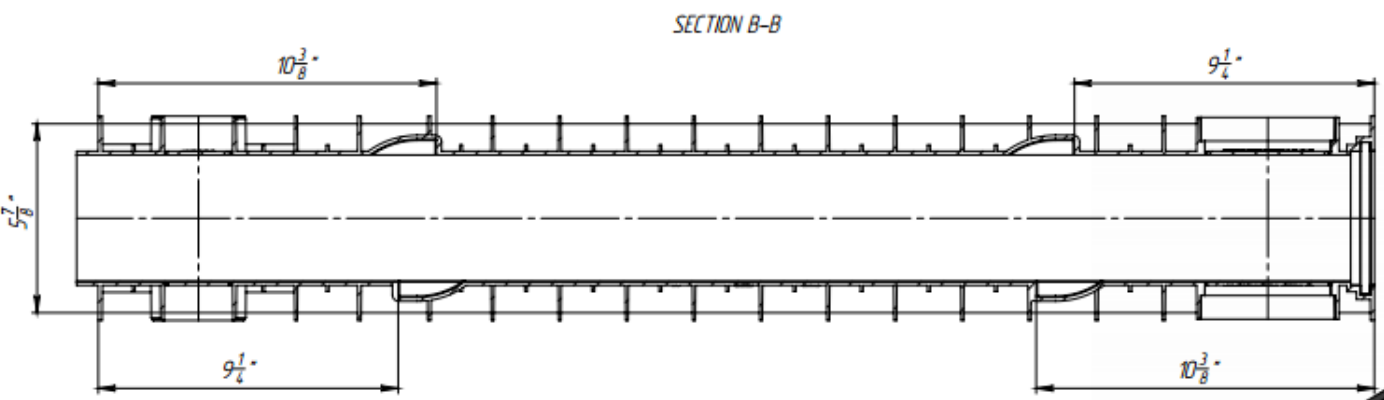
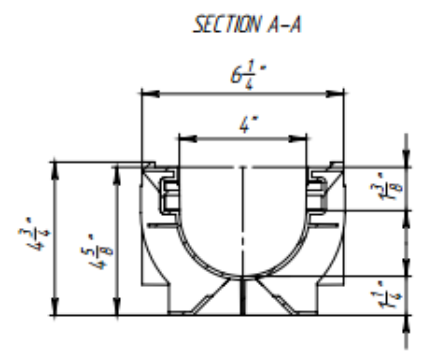
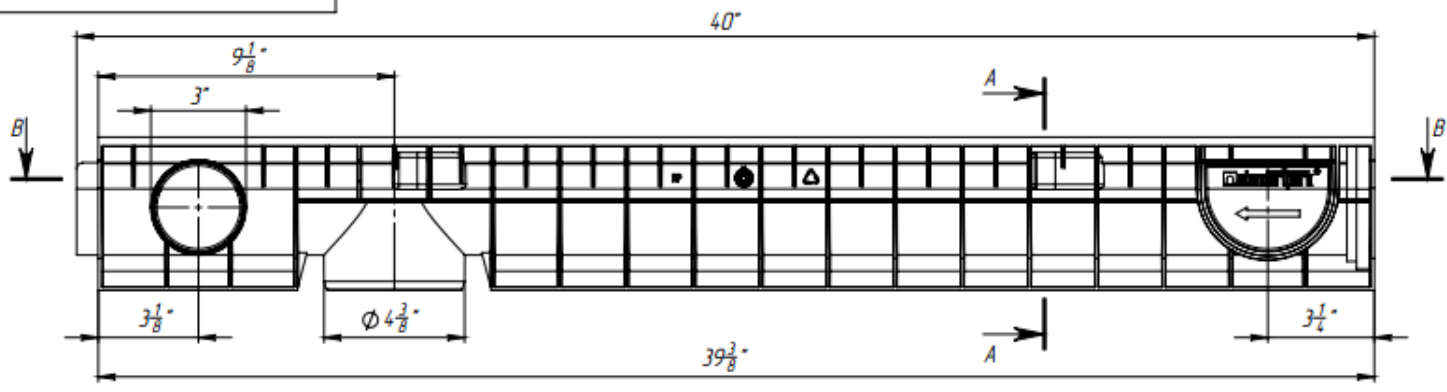


Primary Usage
Reference No.
Sign and date
Copy Inv. No.
Rept. Inv. No.
Sign and date
Orig. Inv. No.

Plastic Channel 4"



Material properties:
 1. Water Absorption, 24 hrs 0.01-0.03 %
 2. Work Temperature -40 to 176°F
 3. Chemical resistance YES

Rev.	Sheet	Doc. No.	Sign.	Date
				04.08.16

Plastic Channel 4"			Art.	8020
NP-PC 8020		Let.	Weight (lb)	Scale
			3.74	1:4
		Sheet	Sheets 1	
Plastic				