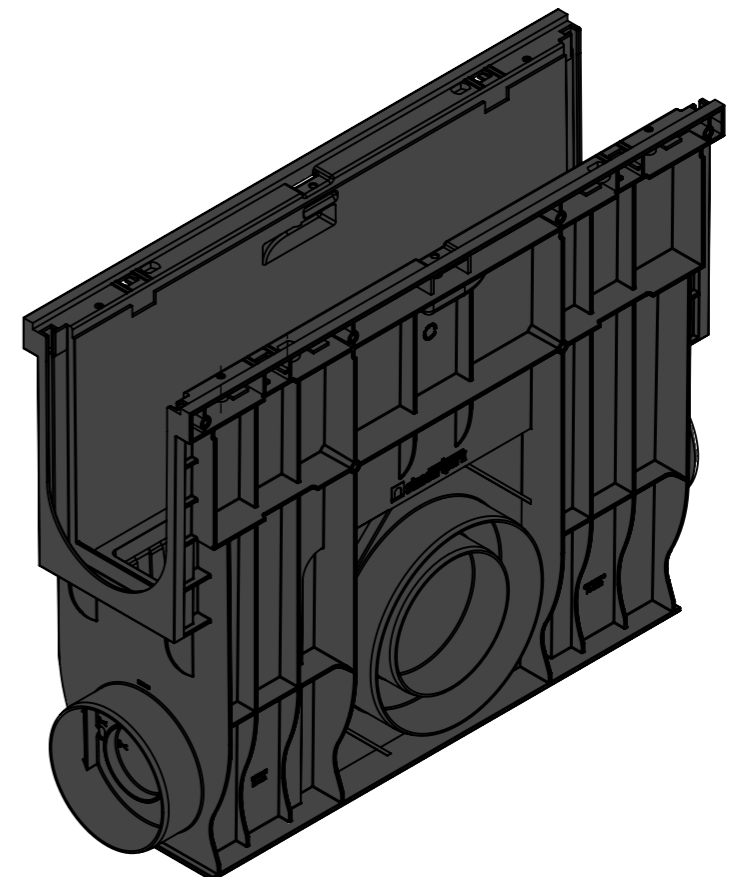
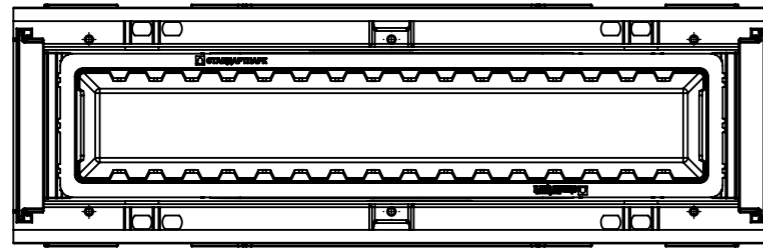
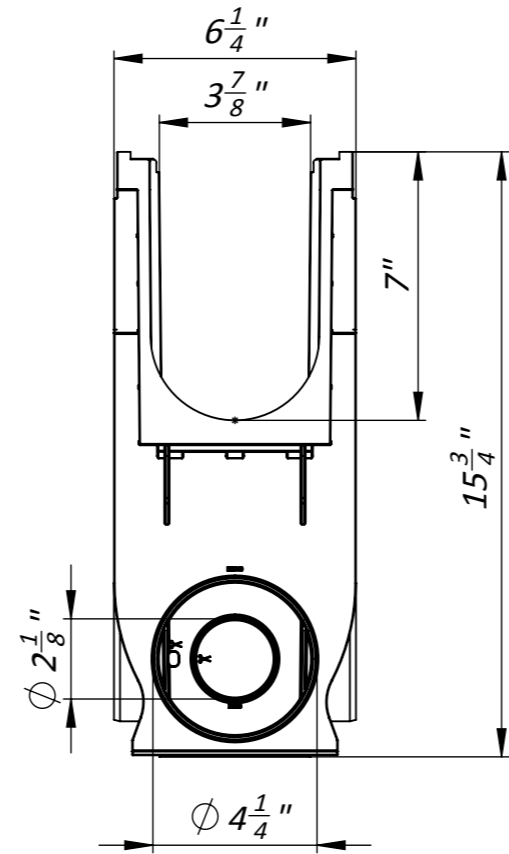
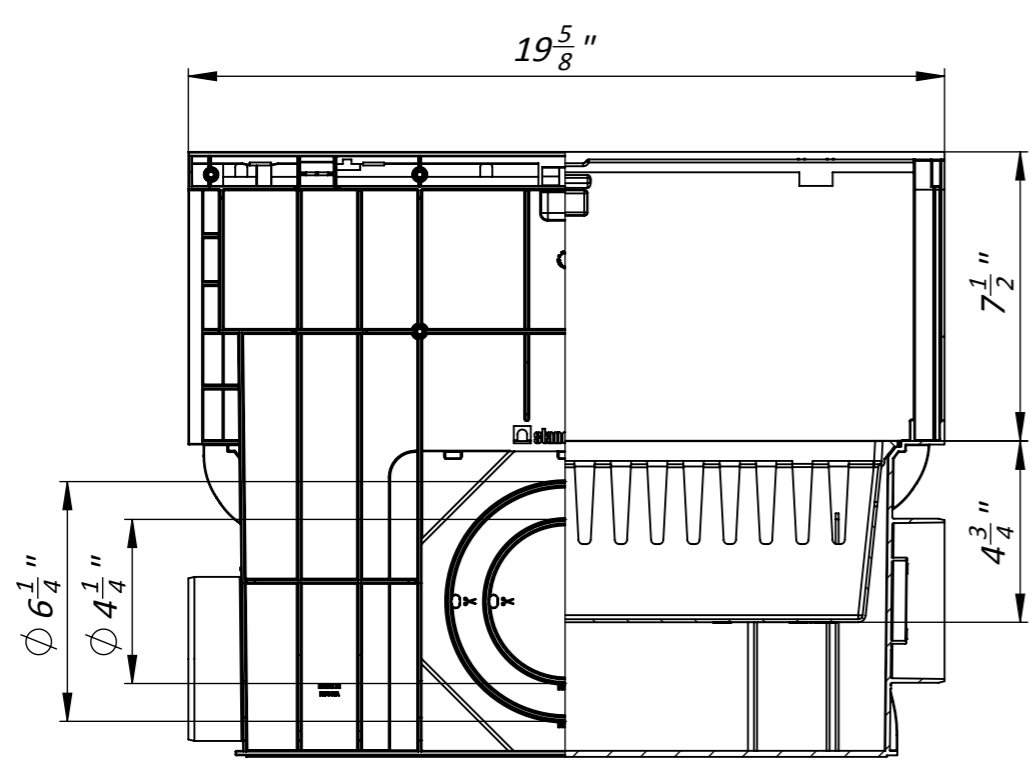


Primary Usage	Reference No.	Sign. and date	Copy inv. No.	Repl. Inv. No.	Sign. and date	Orig. Inv. No.
---------------	---------------	----------------	---------------	----------------	----------------	----------------

4" Plastic Sand Trap



Deviation of the actual weight of the nominal can be up to 10%

					Art. 8080-M			
					4" Plastic Sand Trap			
Rev.	Sheet	Doc. No.	Sign.	Data	8080-M	Let.	Weight (lb)	Scale
				11.09.18			5.33	1:5
					Load Class C	Sheet	Sheets 1	
					Plastic			