

Primary Usage

Reference No.

Sign. and date

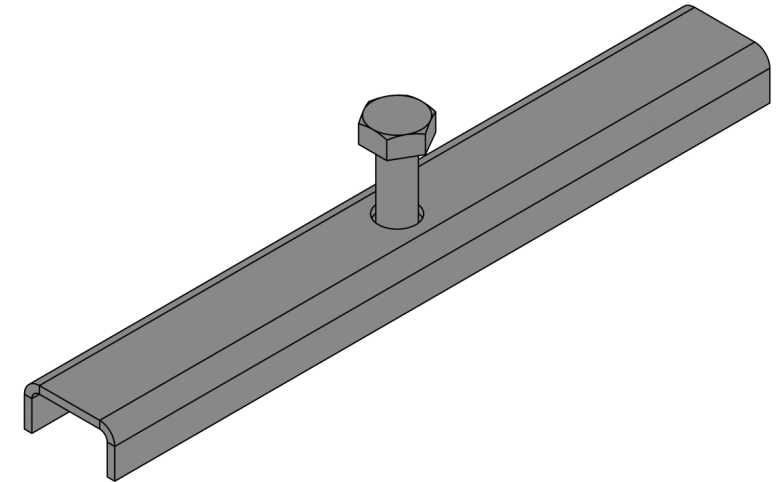
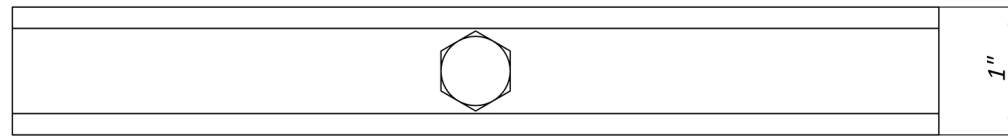
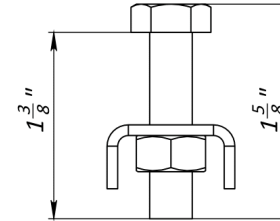
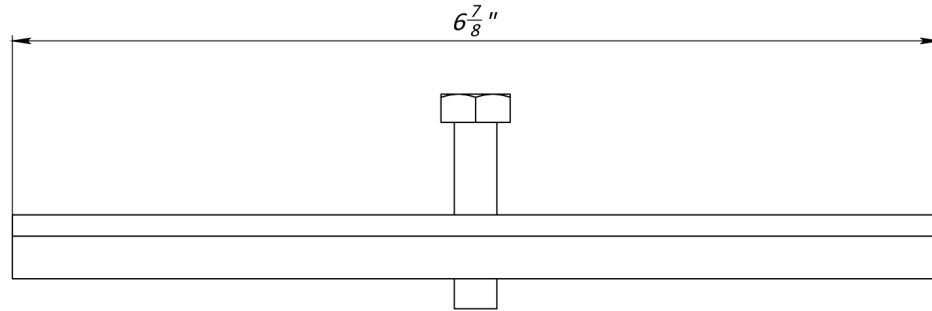
Copy inv. No.

Repl. Inv. No.

Sign. and date

Orig. Inv. No.

6" Steel Fastener



Deviation of the actual weight of the nominal can be up to 10%

									Art. 6120
									6" Steel Fastener
									Let. Weight (lb) Scale
									0.3 1:1
									Sheet Sheets 1
									Steel
									VODALAND