

Easy 2 Basin Adapter

Primary Usage

Reference No.

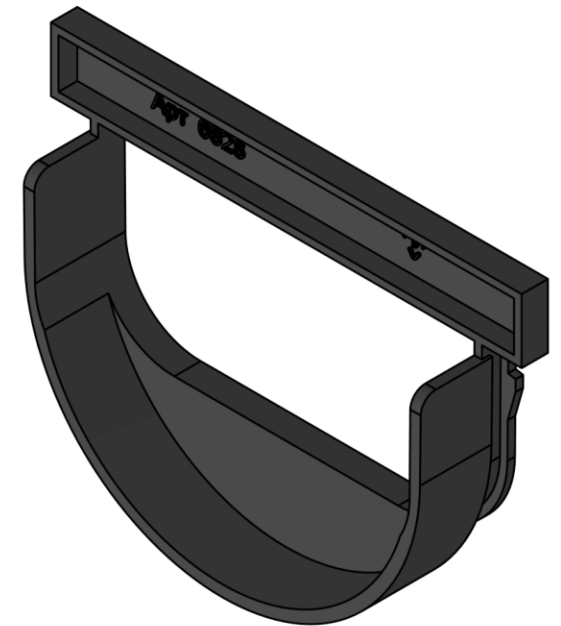
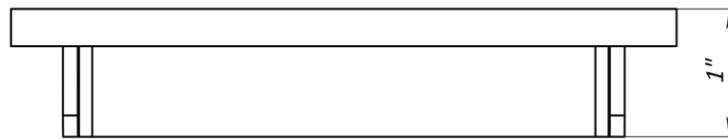
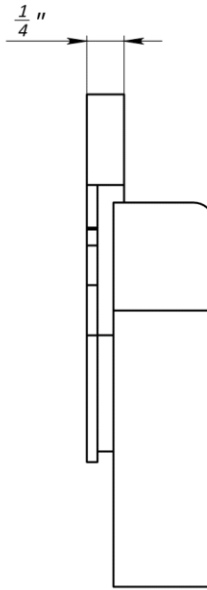
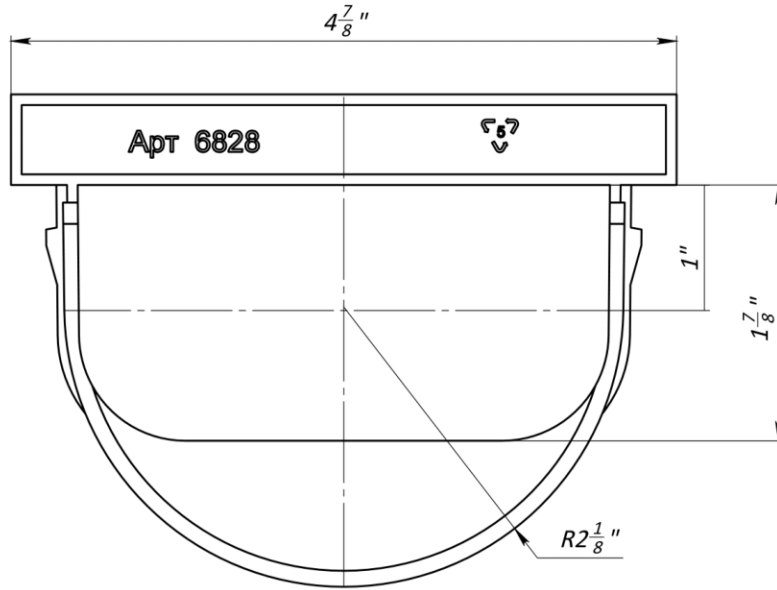
Sign. and date

Copy inv. No.

Repl. Inv. No.

Sign. and date

Orig. Inv. No.



Deviation of the actual weight of the nominal can be up to 10%

									Art. 6828
							Easy 2 Basin Adapter		
							Let.	Weight (lb)	Scale
								0.05	1:1
							Sheet	Sheets 1	
							Plastic		VODALAND