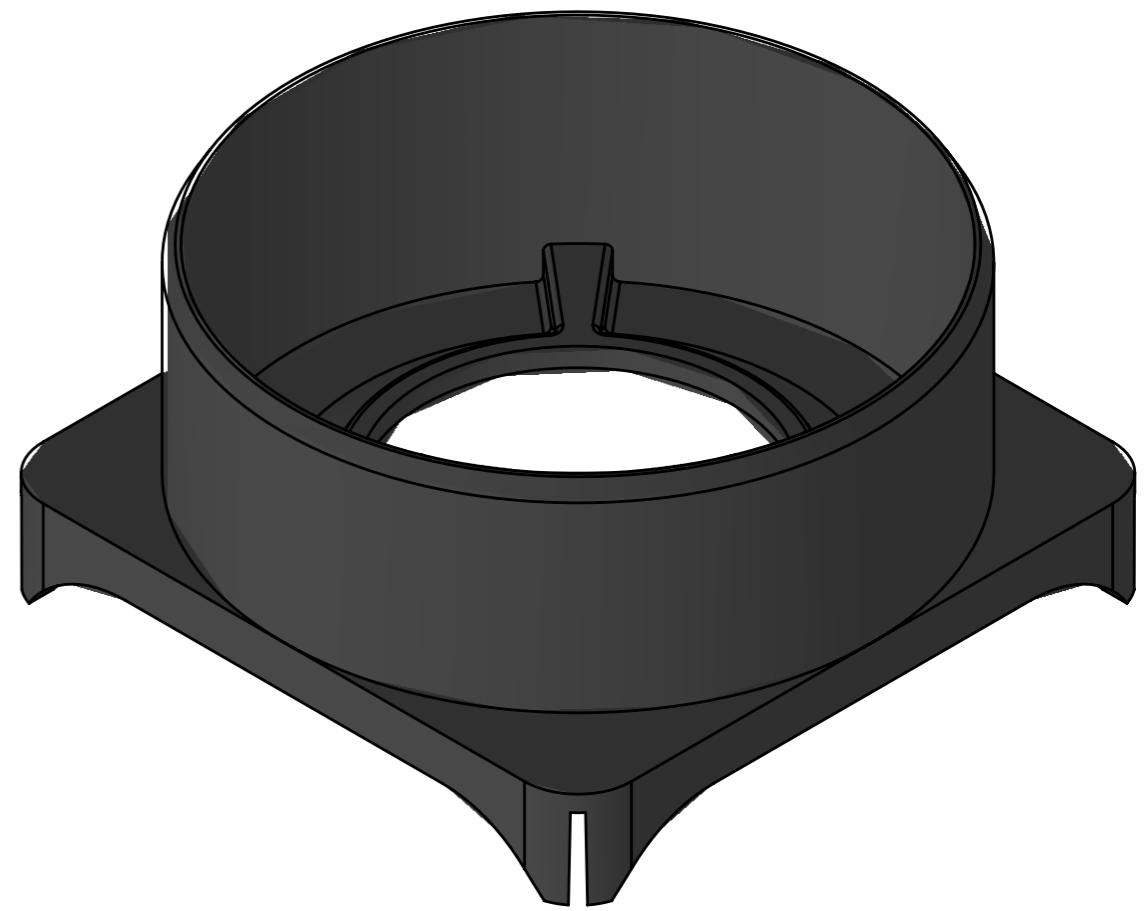
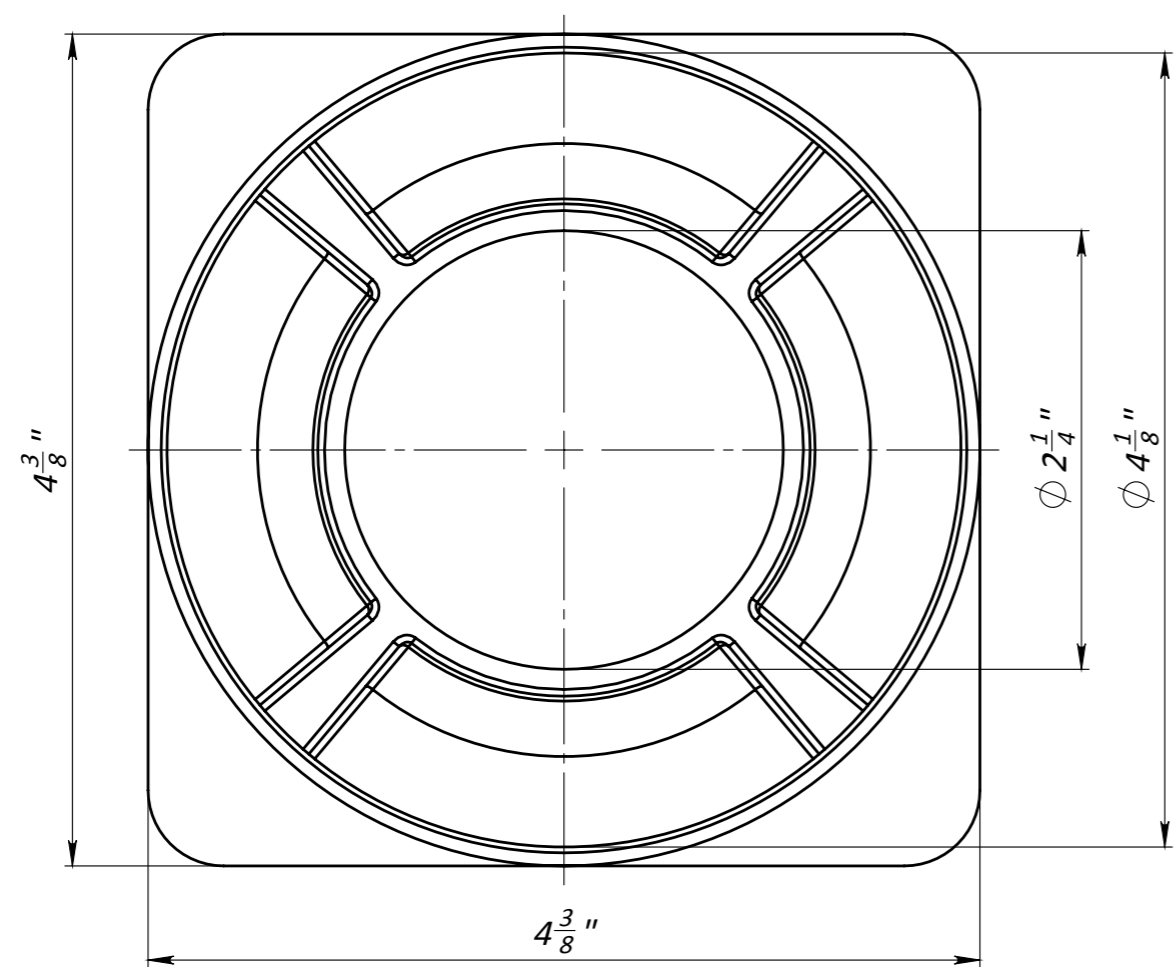
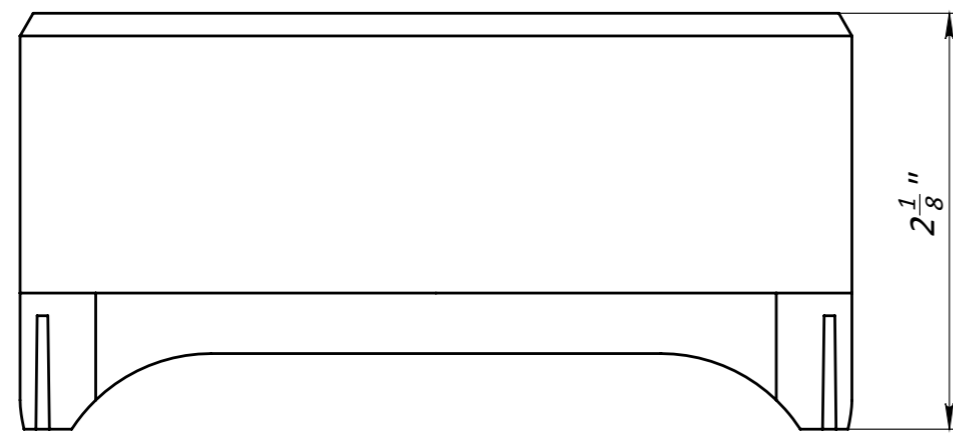


Primary Usage	Reference No.	Sign. and date	Copy inv. No.	Repl. Inv. No.	Sign. and date	Orig. Inv. No.
---------------	---------------	----------------	---------------	----------------	----------------	----------------

Spark 2 Nozzle



Deviation of the actual weight of the nominal can be up to 10%

					Art. 6825			
					Spark 2 Nozzle			
Rev.	Sheet	Doc. No.	Sign.	Data	<b>6825</b>	Let.	Weight (lb)	Scale
				11.09.18			0.16	1:1
					Sheet		Sheets 1	
					Plastic		