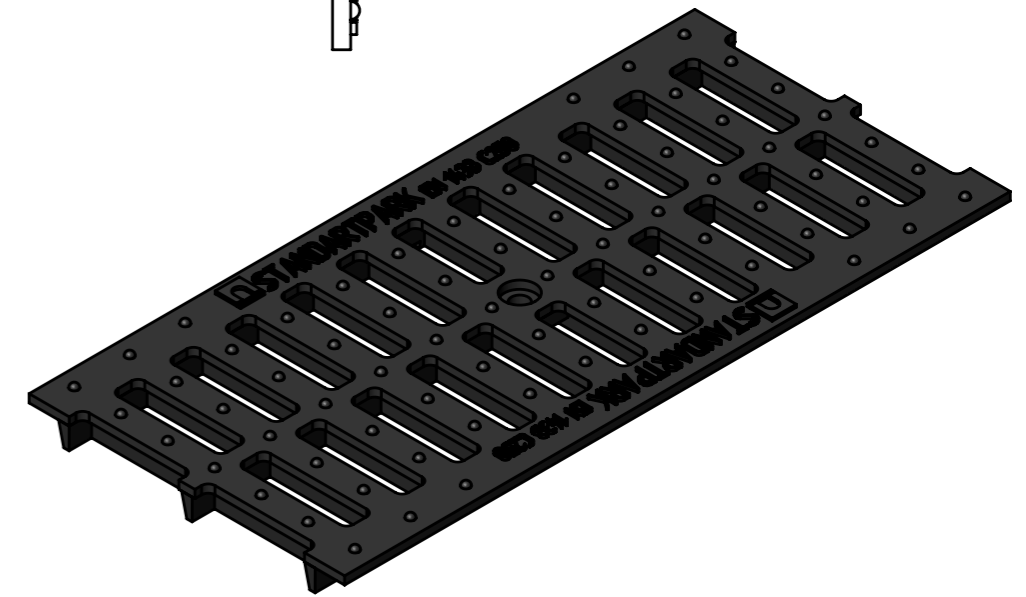
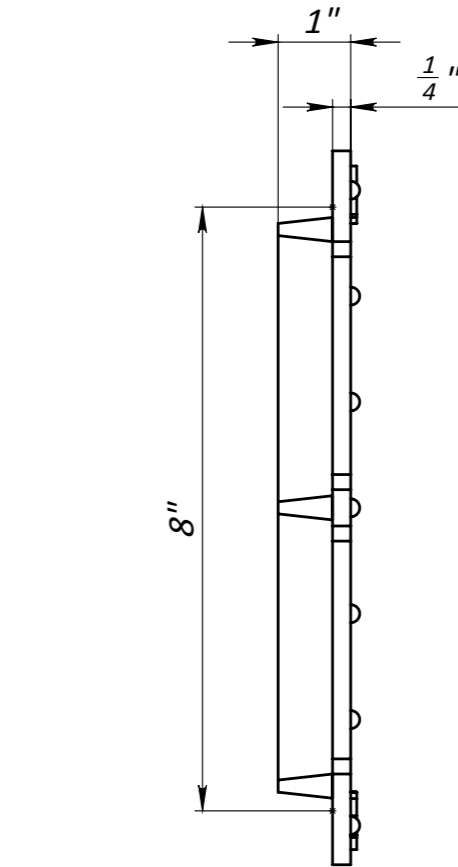
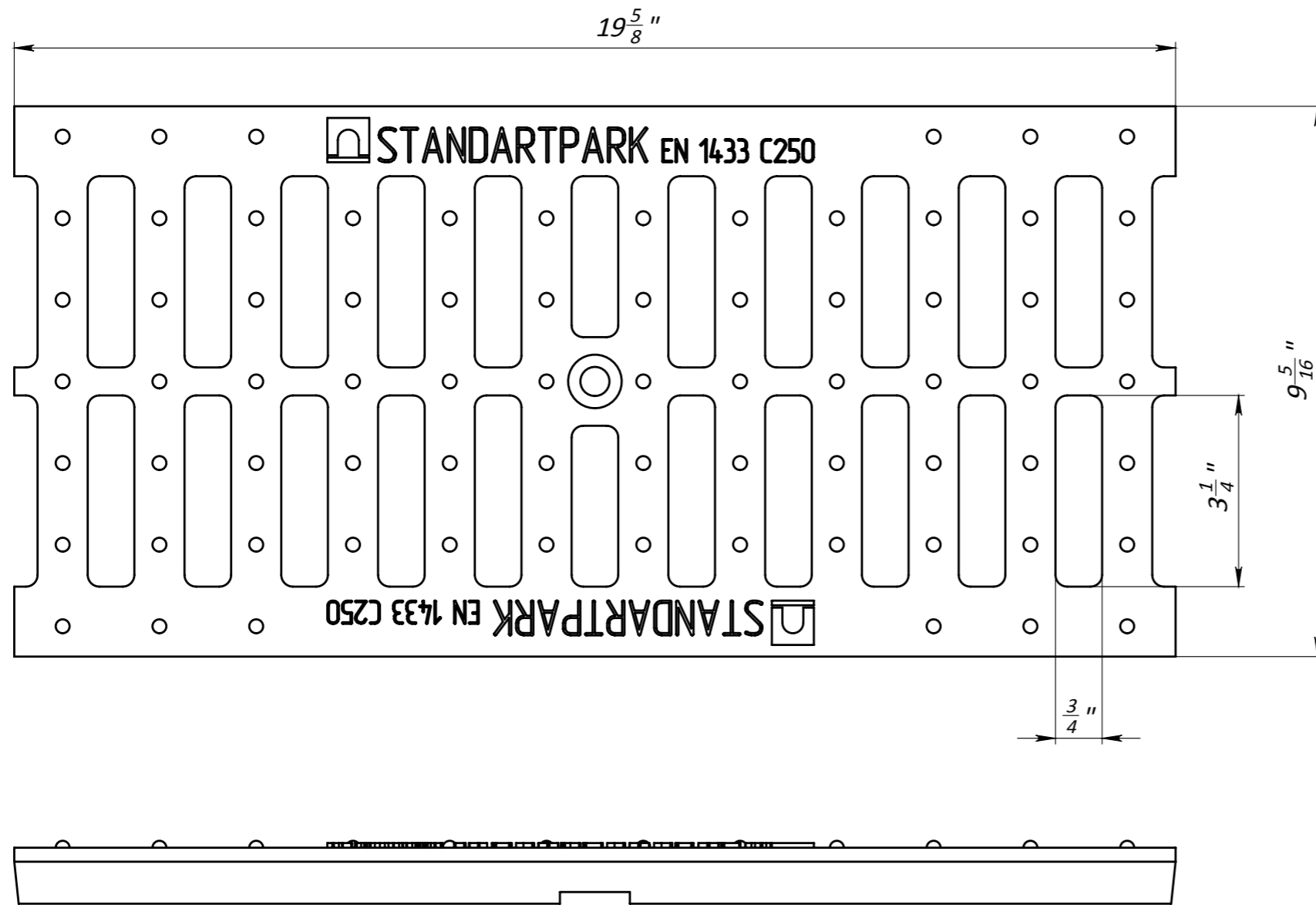


Primary Usage
Reference No.
Sign. and date
Copy inv. No.
Repl. Inv. No.
Sign. and date
Orig. Inv. No.

8" Ductile Cast Iron Grating Slotted



1. Area of water intake slots 59 sq in
2. Deviation of the actual weight of the nominal can be up to 12%

					Art.	25303			
					8" Ductile Cast Iron Grating Slotted				
Rev.	Sheet	Doc. No.	Sign.	Data	<b>25303</b>	Let.	Weight (lb)	Scale	
				11.09.18			13.99	1:2.5	
						Sheet	Sheets 1		
					Ductile Cast Iron				