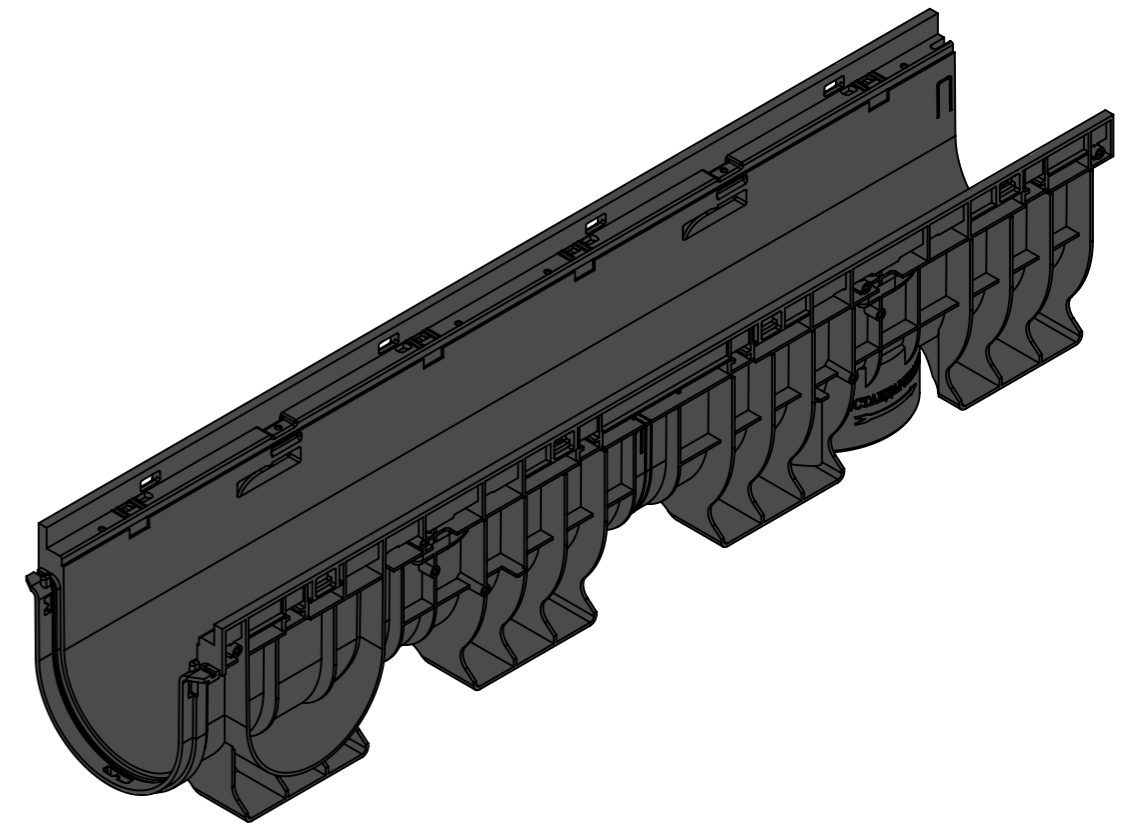
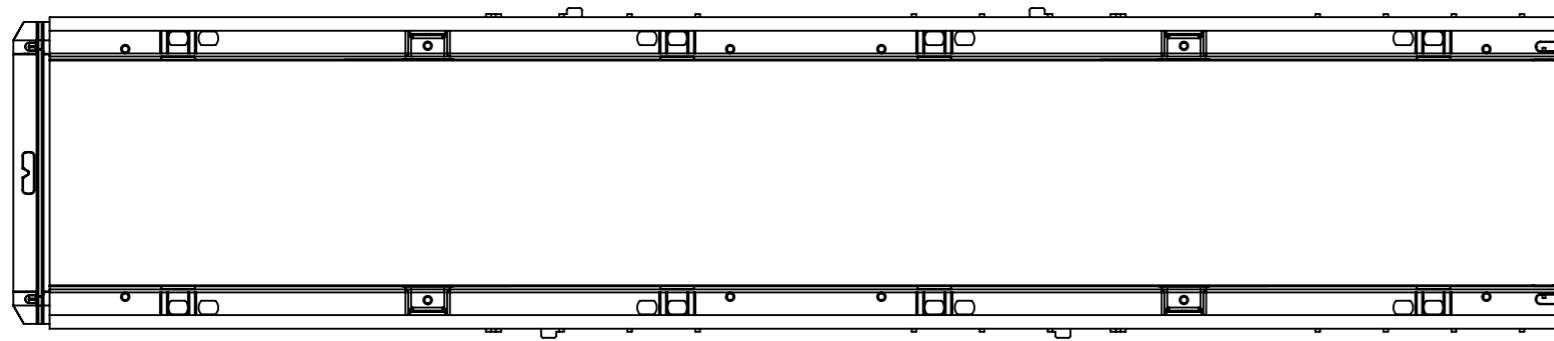
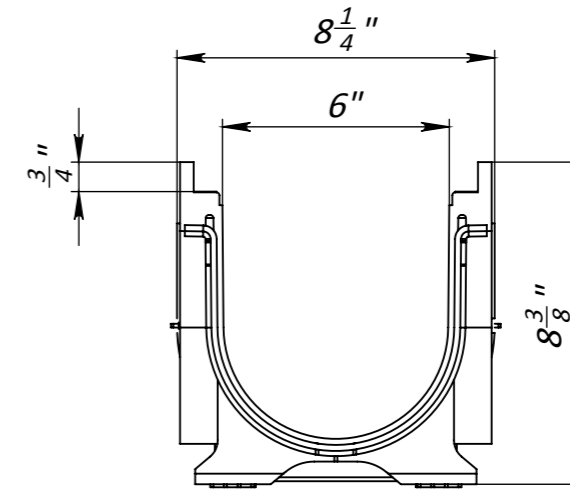
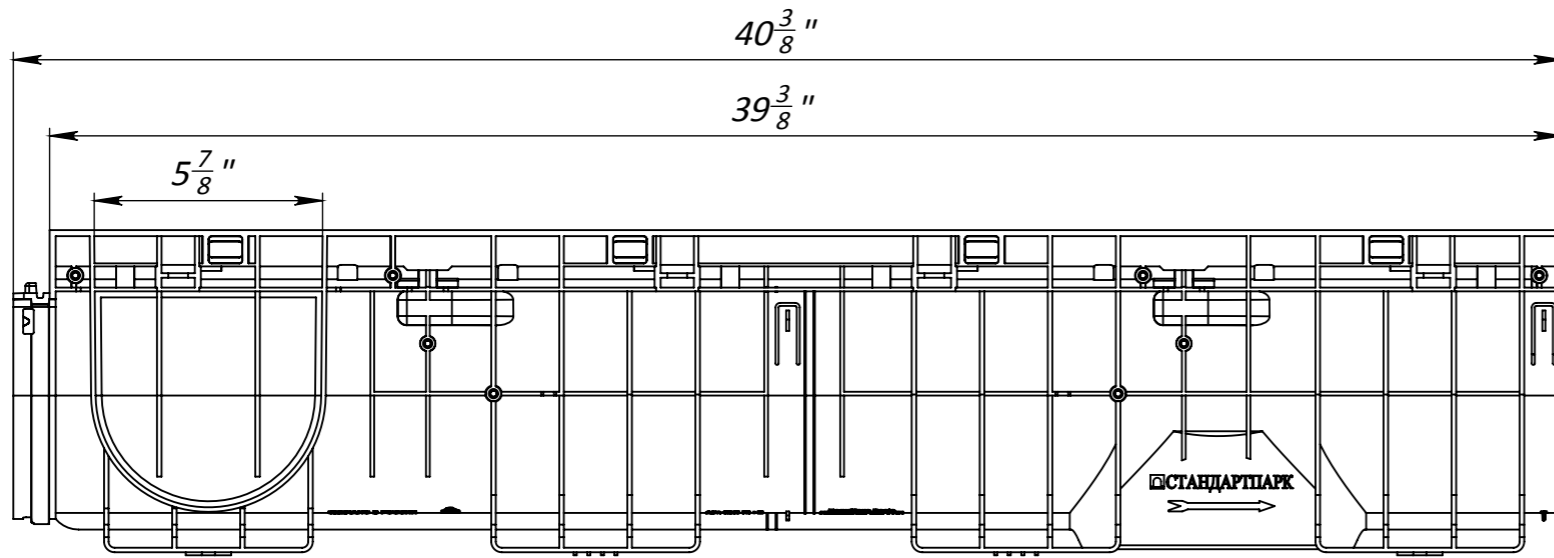


Primary Usage						
Reference No.						
Sign. and date						
Copy inv. No.						
Repl. Inv. No.						
Sign. and date						
Orig. Inv. No.						

6" Plastic Channel



					Art. 82401-M			
					6" Plastic Channel			
Rev.	Sheet	Doc. No.	Sign.	Data	NP-PC82401-M	Let.	Weight (lb)	Scale
				04.08.16			6.5	1:5
						Sheet	Sheets 1	
					Plastic			