

Primary Usage

Reference No.

Sign. and date

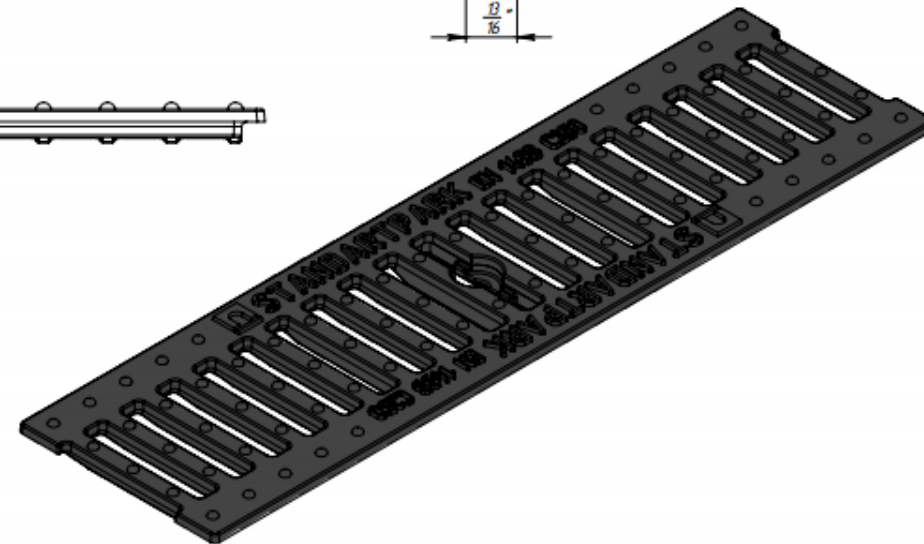
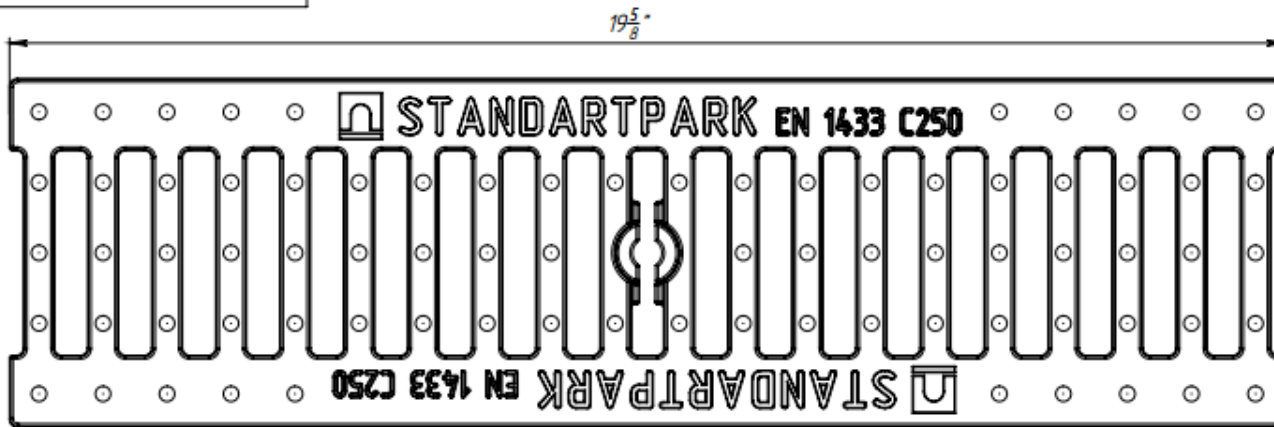
Copy Inv. No.

Repl. Inv. No.

Sign. and date

Orig. Inv. No.

Ductile Cast Iron Grating 4" (Slotted)



- 1. Area of water intake slots 30,4 sq in
- 2. Deviation of the actual weight of the nominal can be up to 12%

				Art. 20303			
				Ductile Cast Iron Grating 4" (Slotted)			
Rev.	Sheet	Doc. No.	Sign.	Date	Let.	Weight (lb)	Scale
				04.08.16		5.73	1:2
					NP-DG 20303		
					Load Classes A-C		
					Sheet	Sheets 1	
					Ductile Cast Iron (powder painting)		

Copied by

Size A3