

Primary Usage

Reference No.

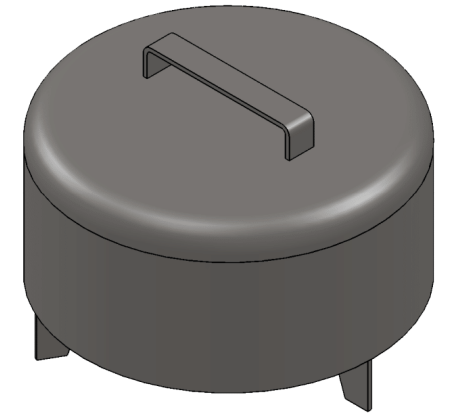
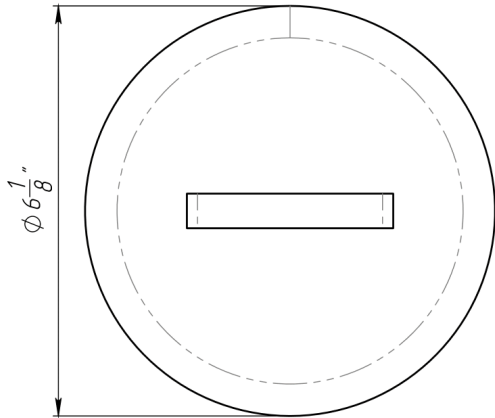
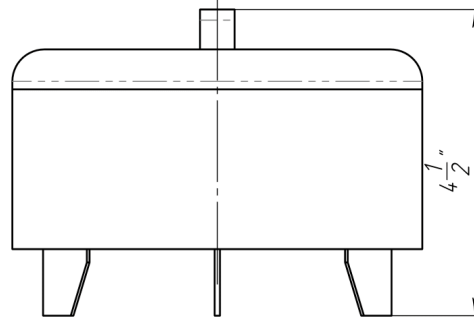
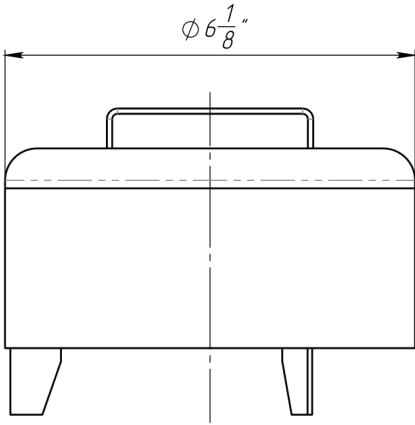
Sign. and date


Copy inv. No.

Repl. Inv. No.

Sign. and date

Orig. Inv. No.



Rev.	Sheet	Doc. No.	Sign.	Data	4" Stainless Steel Siphon			Art.
Dvlpd by	Galushka				NP-SS561.10.11	Let.	Weight	Scale
Chkd by								1:2
Tech. Ctrl						Sheet	Sheets 1	
Reg. Doc. Ctrl					Stainless Steel			
Aprvd by								