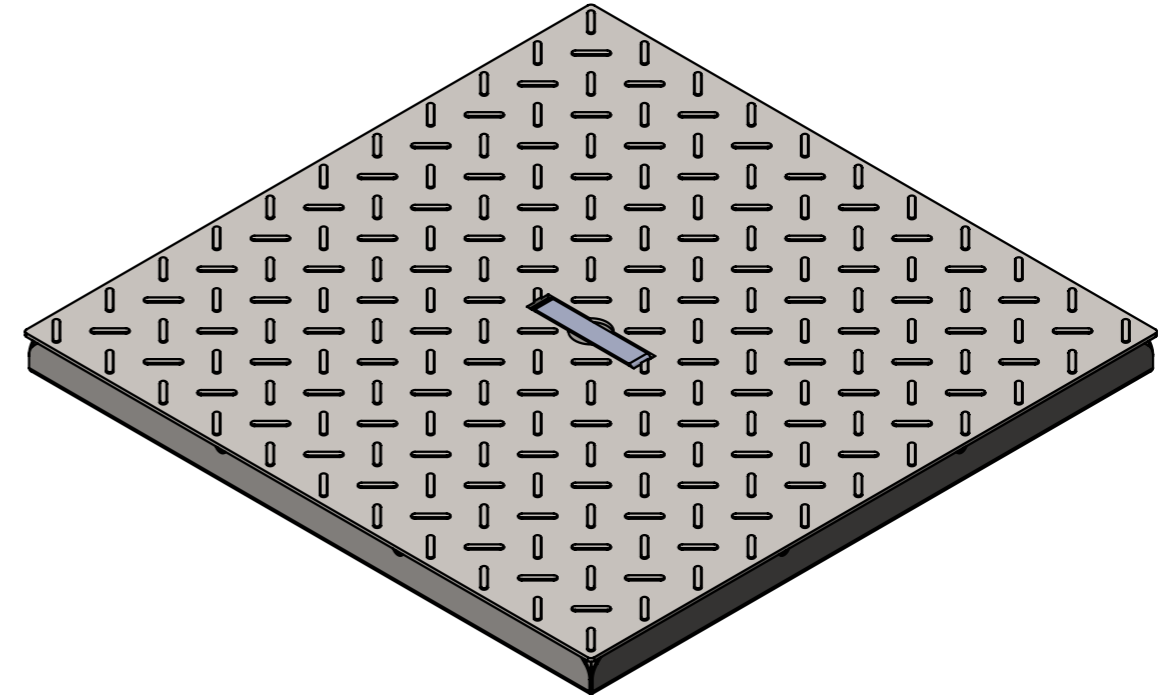
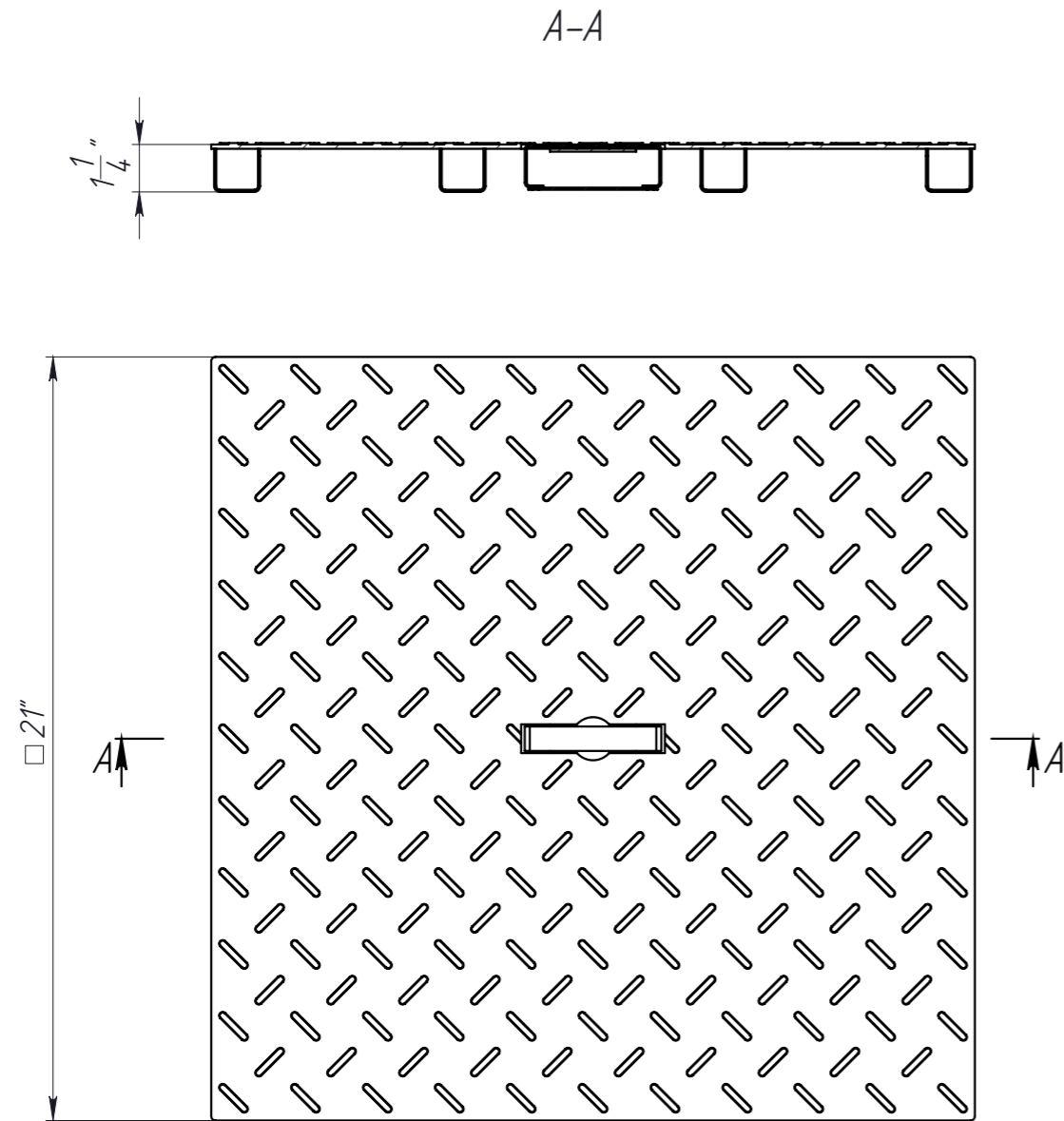


Primary Usage
Reference No.
Sign. and date
Copy inv. No.
Repl. Inv. No.
Sign. and date
Orig. Inv. No.



- * - Dimensions for reference;
- Unspecified marginal deviation of dimensions $H14, h14, \pm IT14/2$;
- General tolerances of form and placement - GOST 30893.2;
- Delivery and packaging are carried out in accordance with the terms of the contract
- The manufacturer reserves the right, without notice to the consumer, to make changes to the design of the products for improvement their technological and operational parameters, which will not affect the quality and properties of the product.

					Galvanized steel Cover			Art.
Rev.	Sheet	Doc. No.	Sign.	Data	351916 (Load class A15)	Let.	Weight	Scale
Dvlpd by							21.406	1:10
Chkd by						Sheet	Sheets 1	
Tech. Ctrl						Galvanized steel		
Reg. Doc. Ctrl								Size A3
Aprvd by								