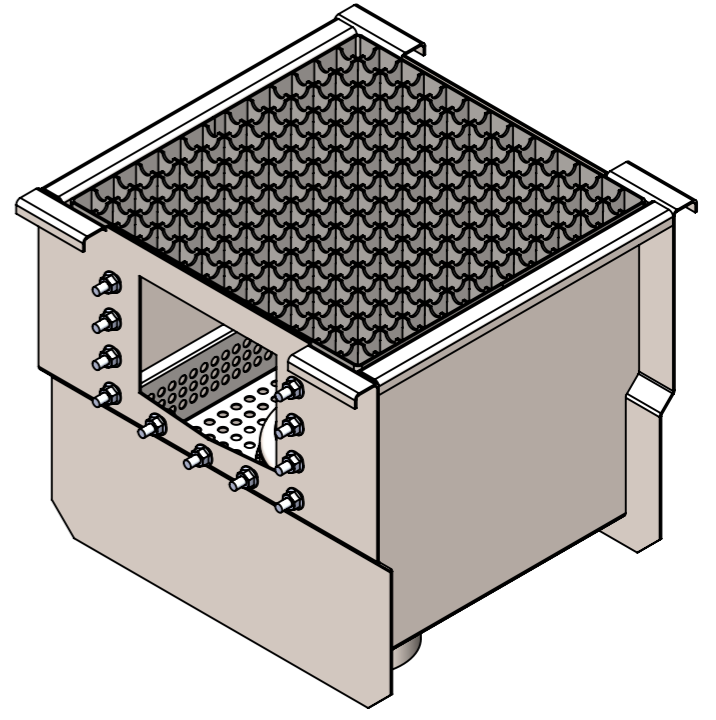
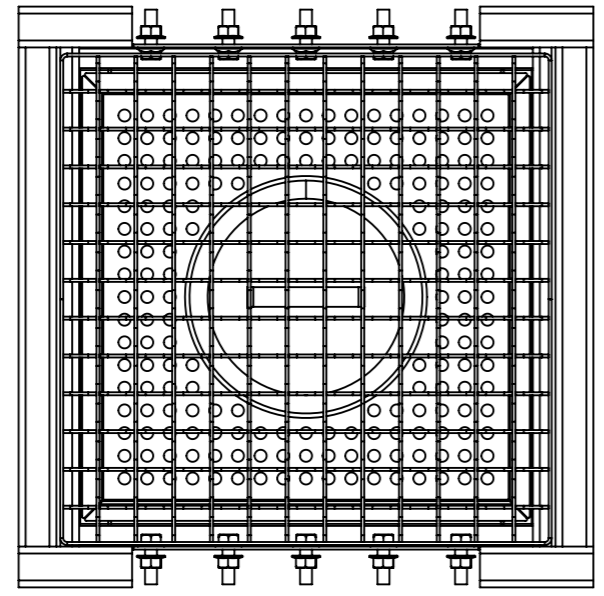
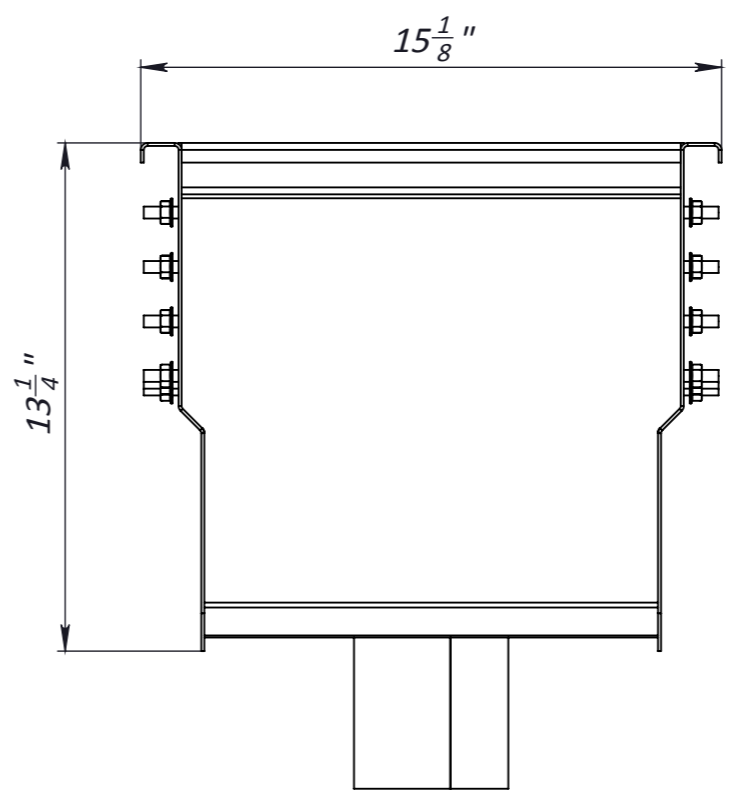
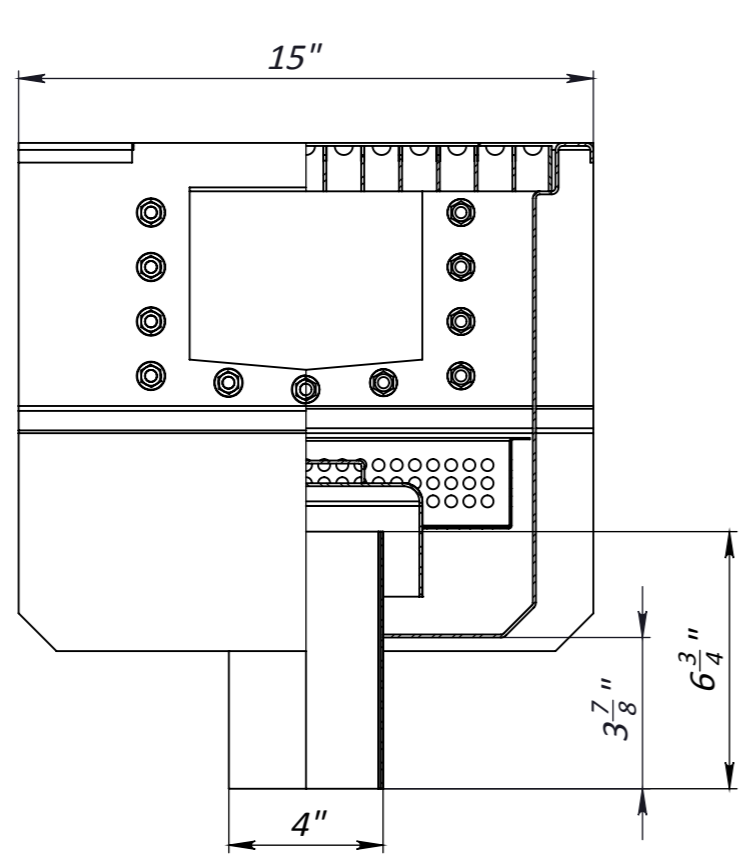


Primary Usage					
Reference No.					
Sign. and date					
Copy inv. No.					
Repl. Inv. No.					
Sign. and date					
Orig. Inv. No.					

Stainless Steel Trap for 6" Stainless Steel Channel



- 1. Area of water intake slots 138 sq in
- 2. Deviation of the actual weight of the nominal can be up to 10%

				Art. SSTV4.6.16
				Stainless Steel Trap for 6" Stainless Steel Channel
Rev.	Sheet	Doc. No.	Sign.	Data
				11.09.18
SSTV4.6.16				Let.
				Weight (lb)
				Scale
				34.1
				1:5
				Sheet
				Sheets 1
Stainless Steel				