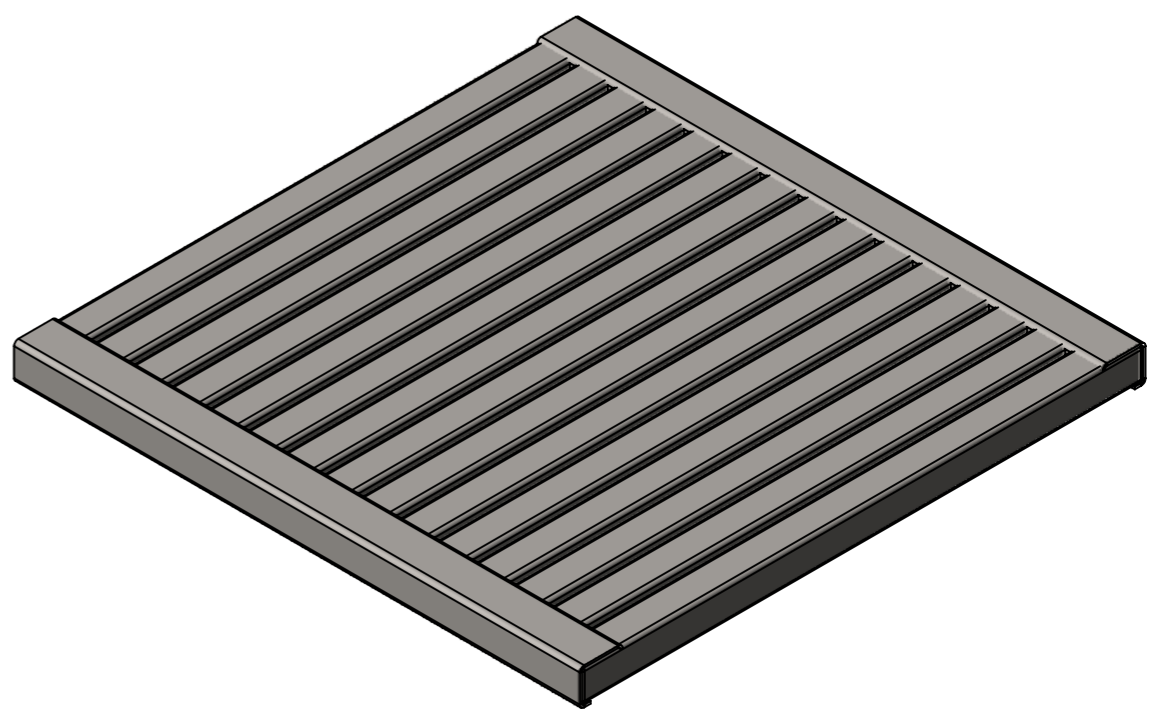
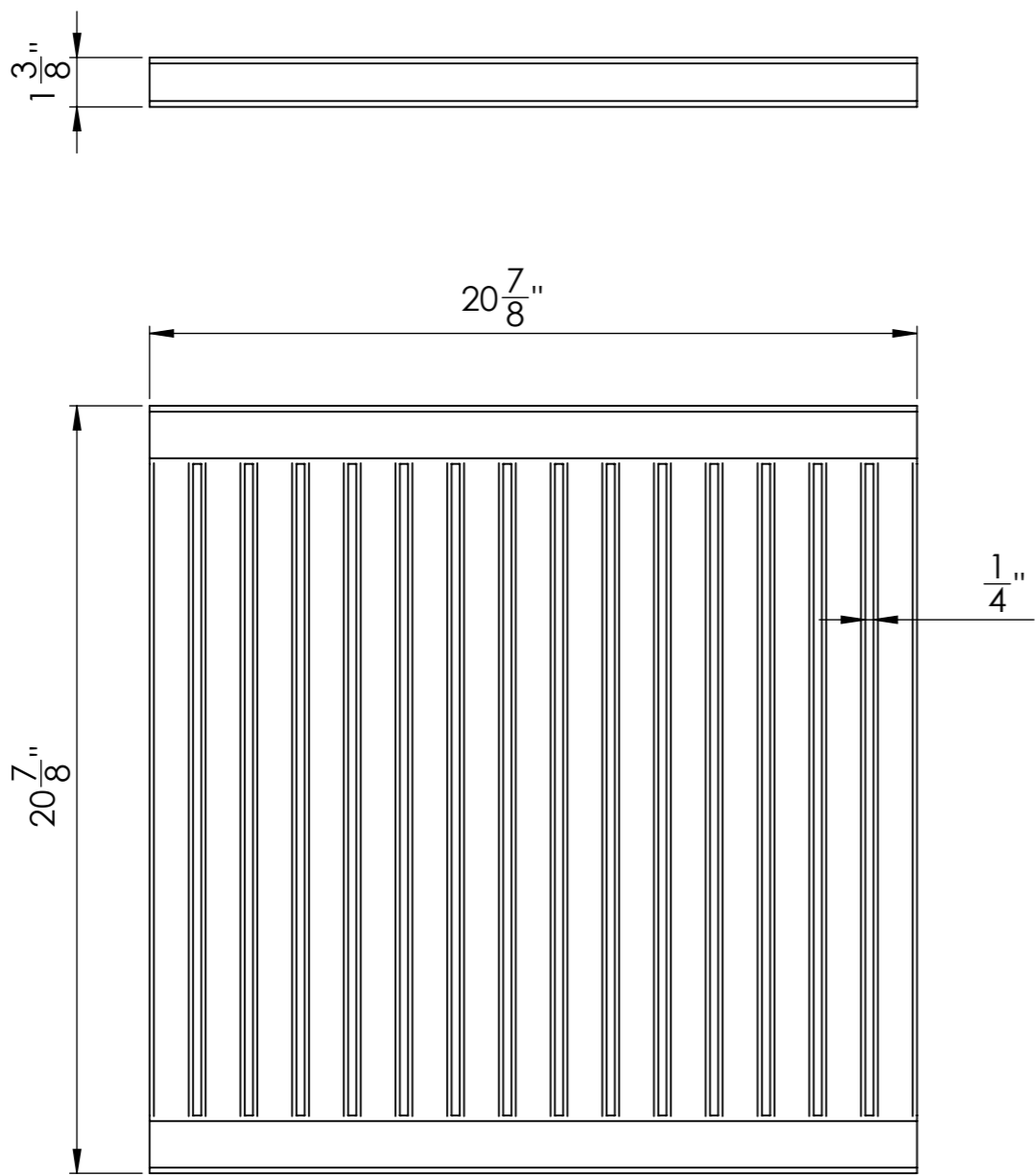


Primary Usage	Reference No.	Sign. and date	Copy inv. No.	Repl. Inv. No.	Sign. and date	Orig. Inv. No.
---------------	---------------	----------------	---------------	----------------	----------------	----------------



					Art.			
					Stainless Steel Grate			
Rev.	Sheet	Doc. No.	Sign.	Data	3590	Let.	Weight (lb)	Scale
				05.08.17				1:5
Dvlpd by						Sheet	Sheets	1
Chkd by								
Tech. Ctrl								
Reg. Doc. Ctrl								
Aprvd by								

