

Primary Usage

Reference No.

Sign. and date

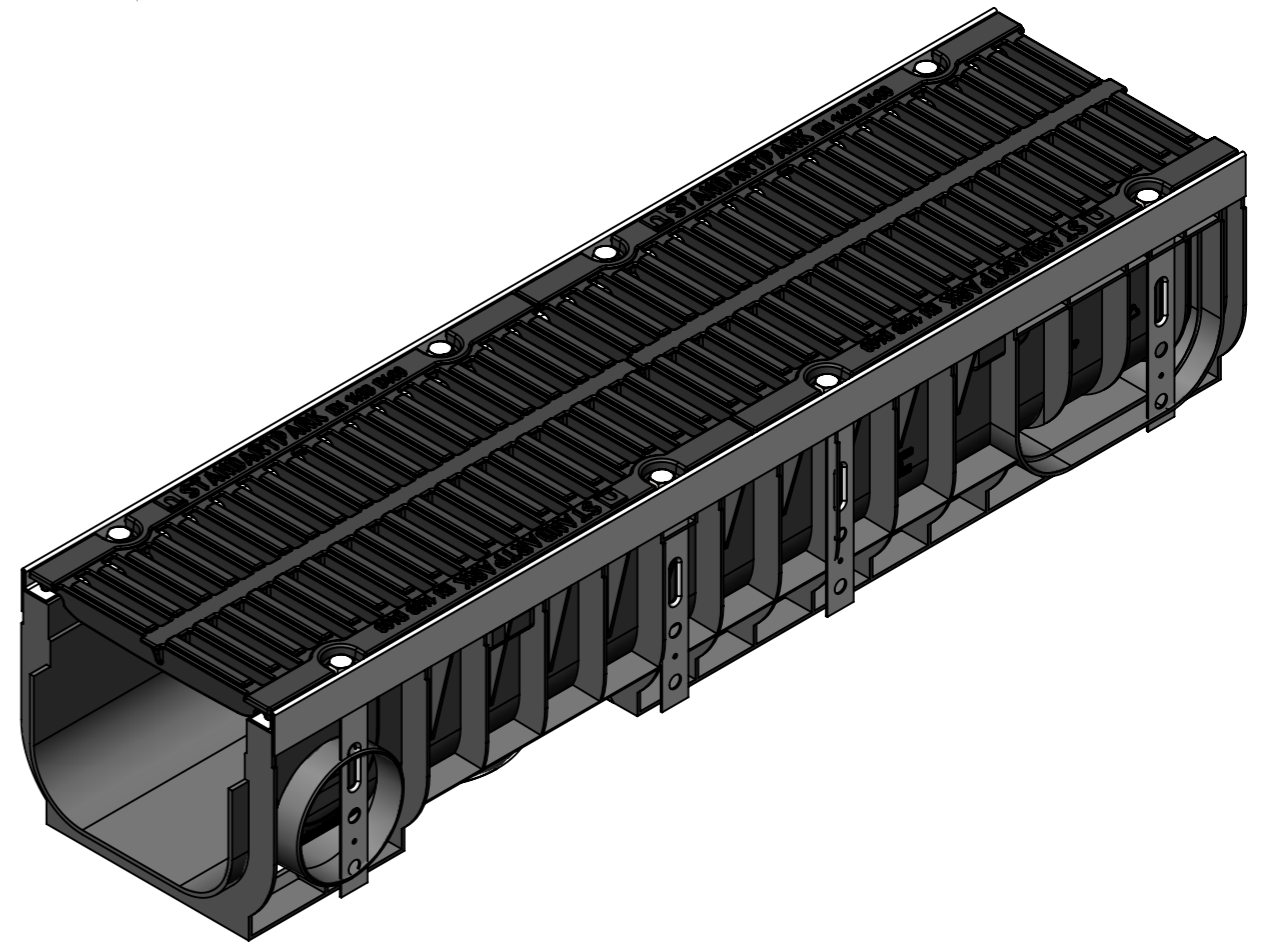
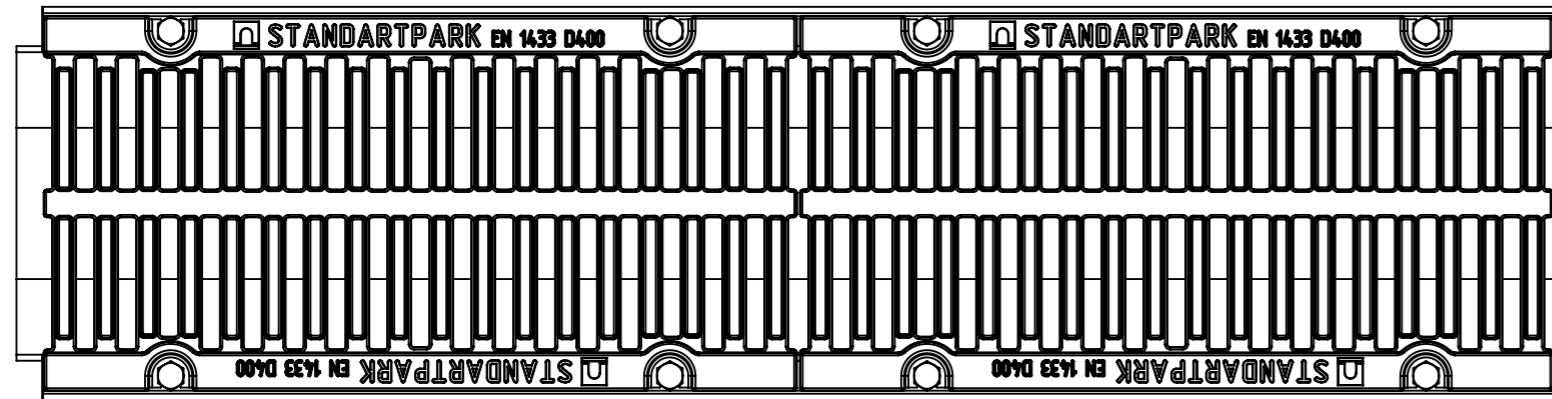
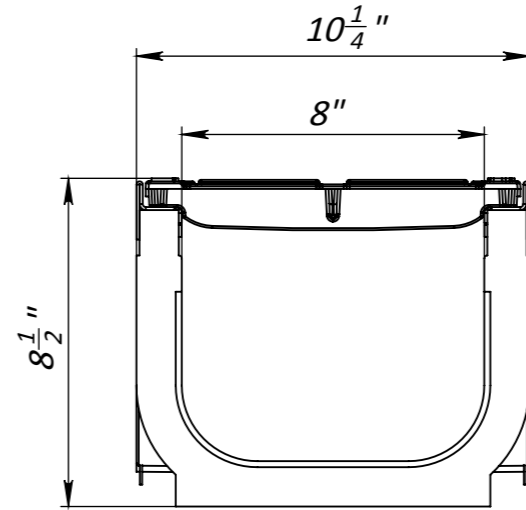
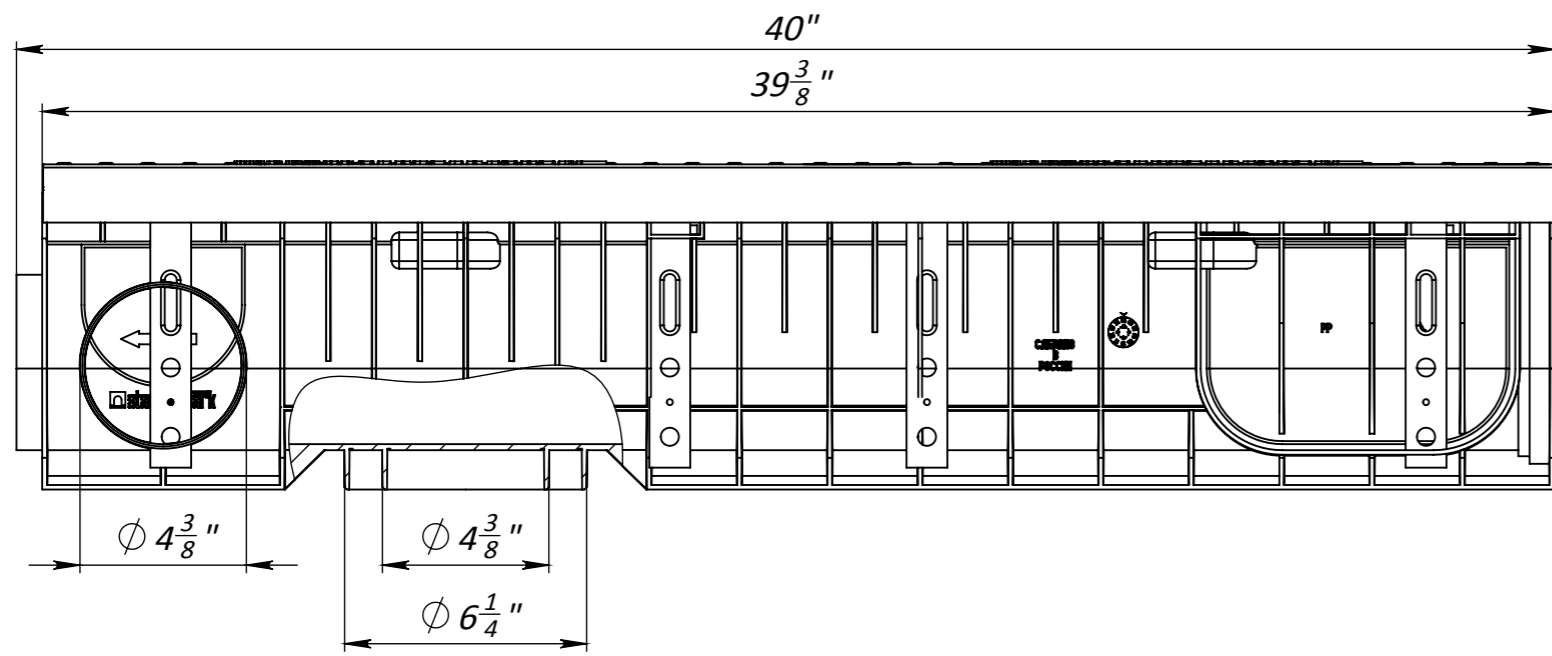
Copy inv. No.

Repl. Inv. No.

Sign. and date

Orig. Inv. No.

8" Plastic Drainage Set



- 1. Area of water intake slots 116 sq in
- 2. Deviation of the actual weight of the nominal can be up to 10%

					Art. 085434			
					8" Plastic Drainage Set			
Rev.	Sheet	Doc. No.	Sign.	Data	085434	Let.	Weight (lb)	Scale
				11.09.18			50.77	1:5
					Load Class D	Sheet	Sheets 1	
					Plastic, Ductile Cast Iron, Steel			