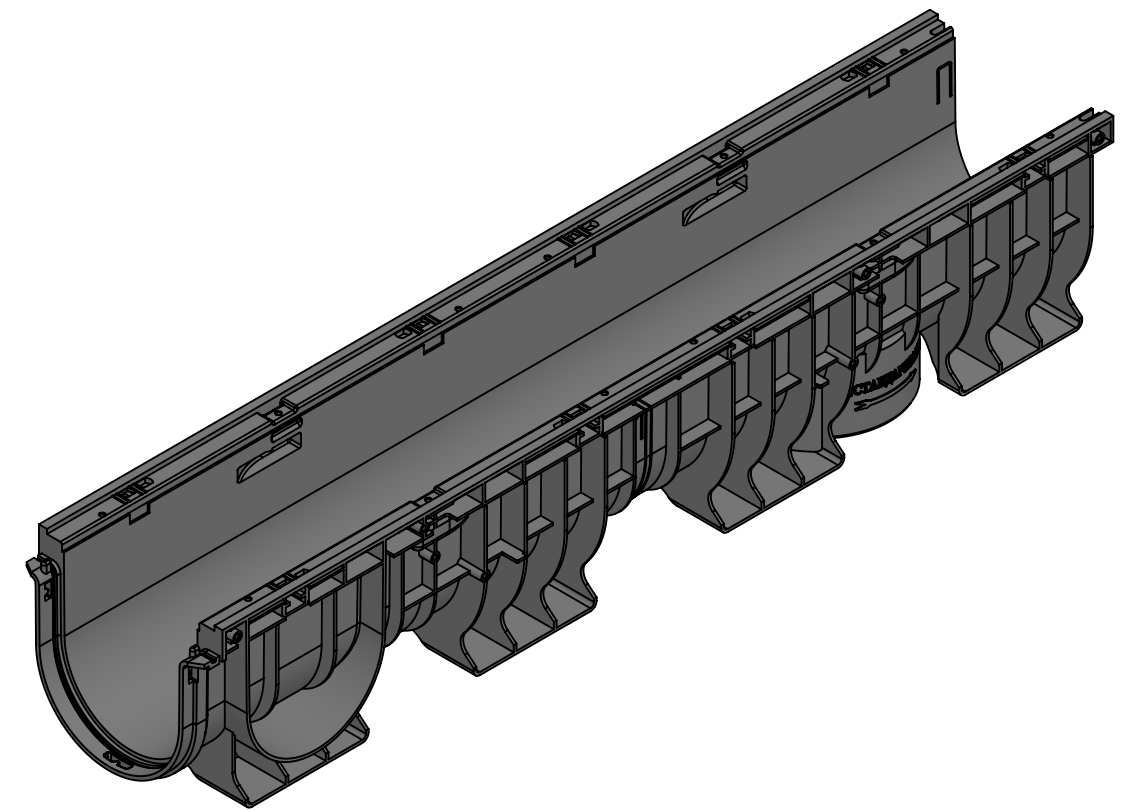
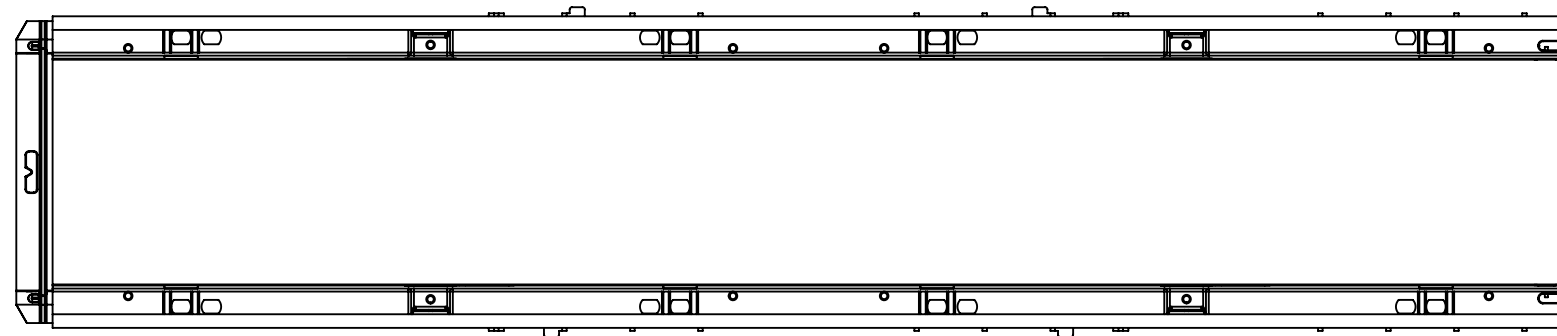
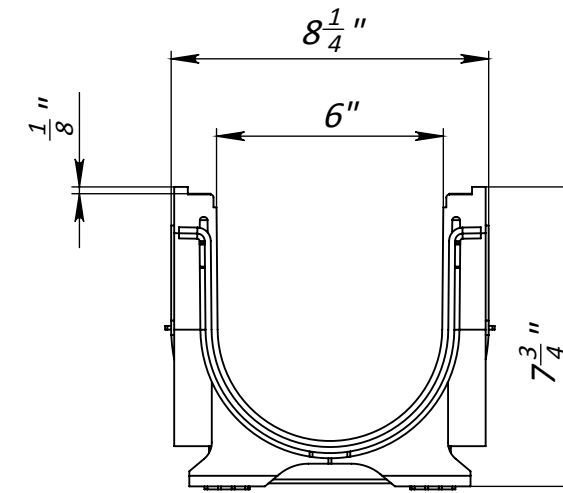
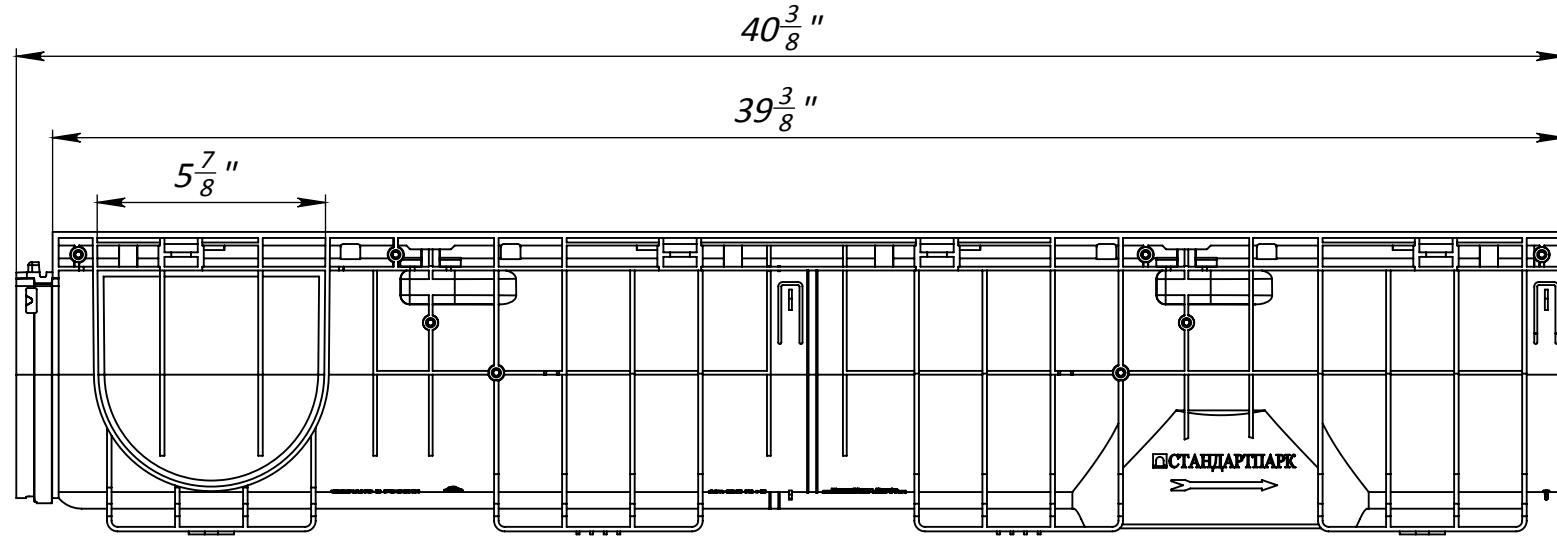


Primary Usage					
Reference No.					
Sign. and date					
Copy inv. No.					
Repl. Inv. No.					
Sign. and date					
Orig. Inv. No.					

6" Plastic Channel



Deviation of the actual weight of the nominal can be up to 10%

					Art. 8240-M			
					6" Plastic Channel			
Rev.	Sheet	Doc. No.	Sign.	Data	8240-M	Let.	Weight (lb)	Scale
				11.09.18			6.2	1:5
					Load Class C	Sheet	Sheets 1	
					Plastic			