

Primary Usage

Reference No.

Sign. and date

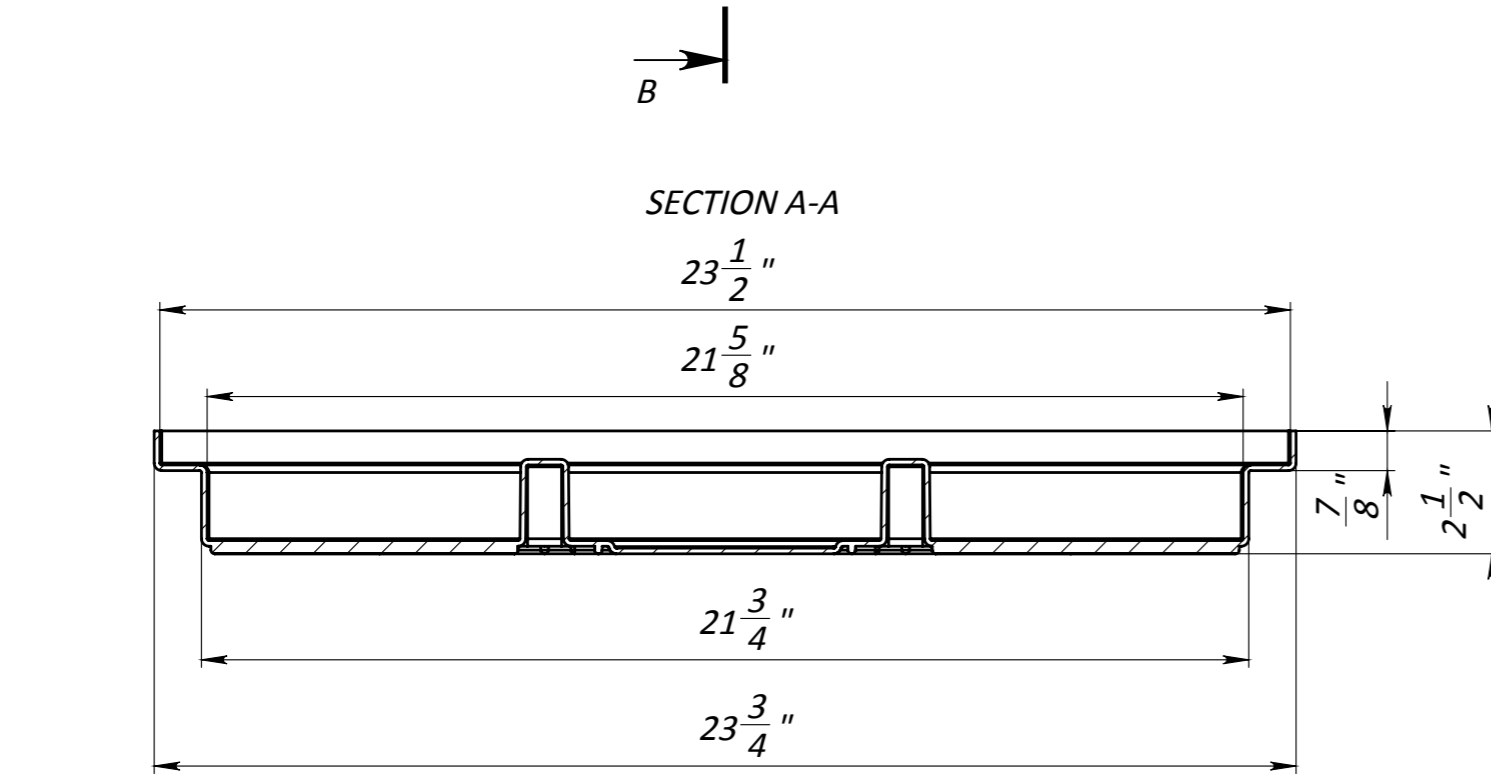
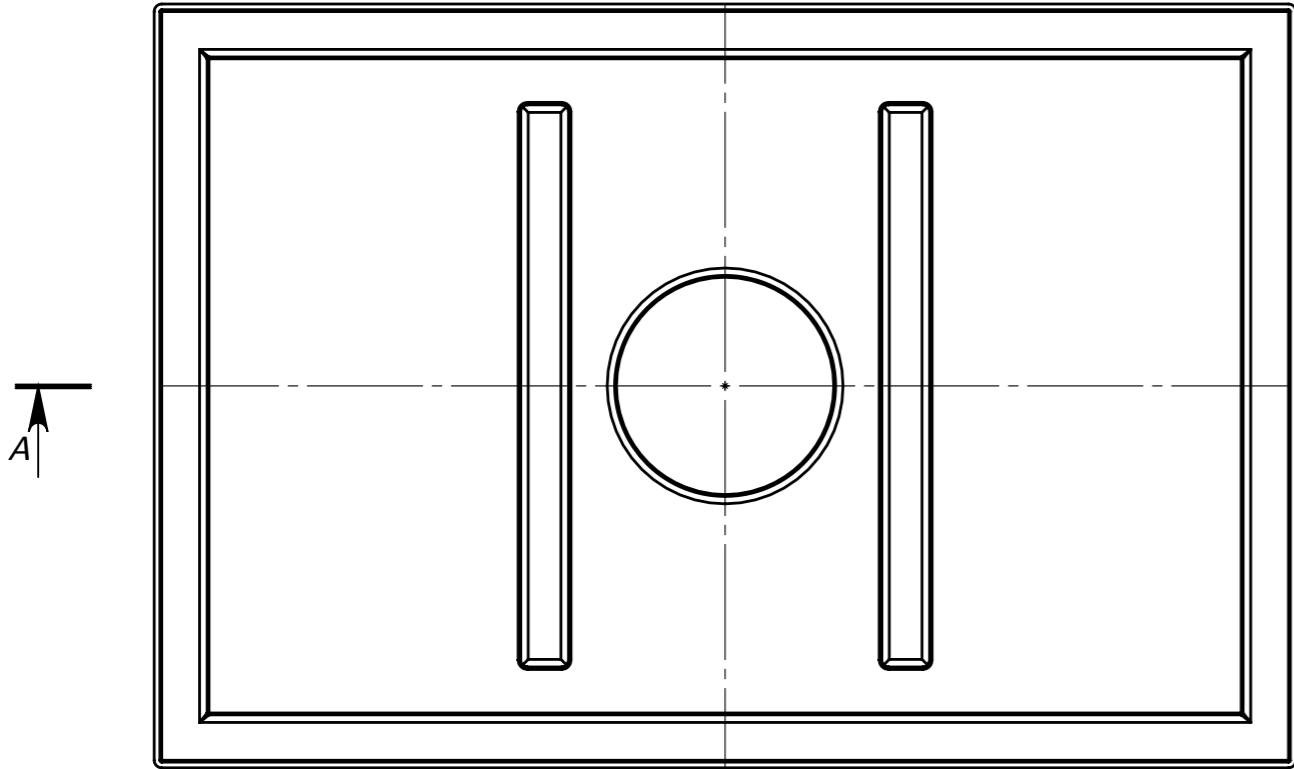
Copy inv. No.

Repl. Inv. No.

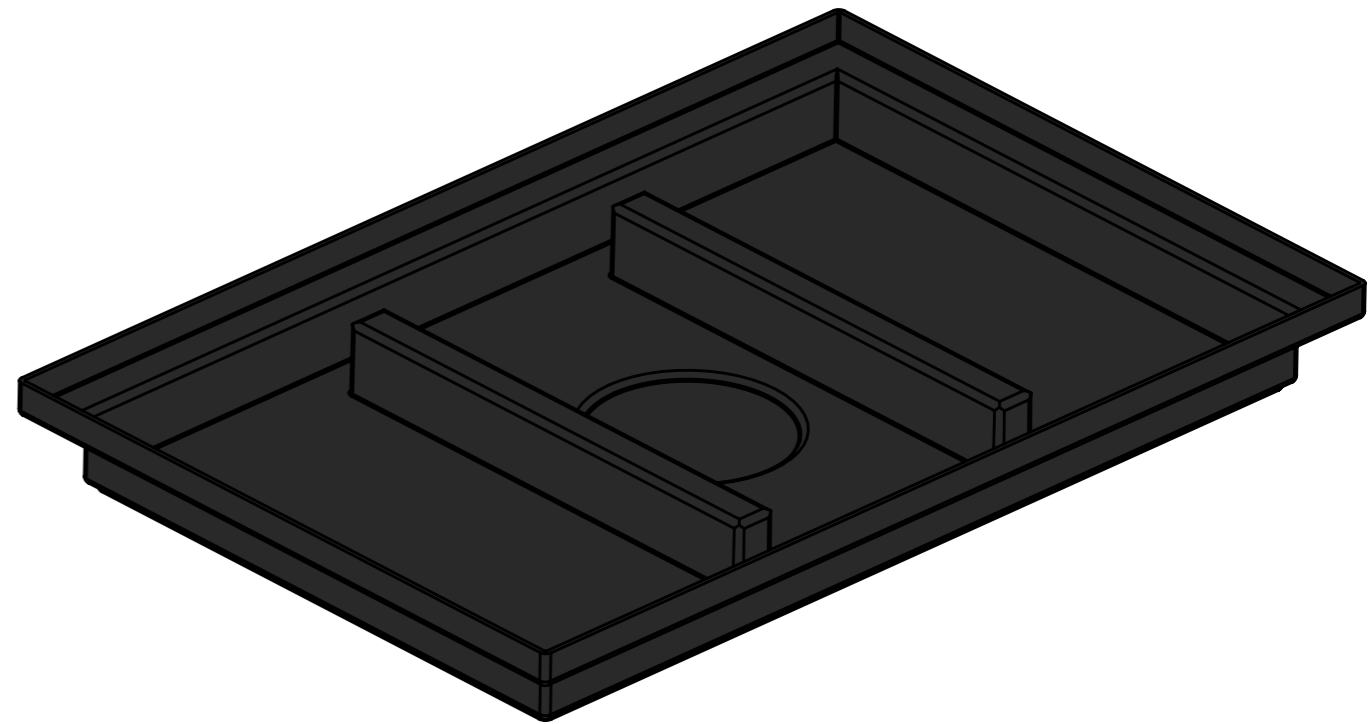
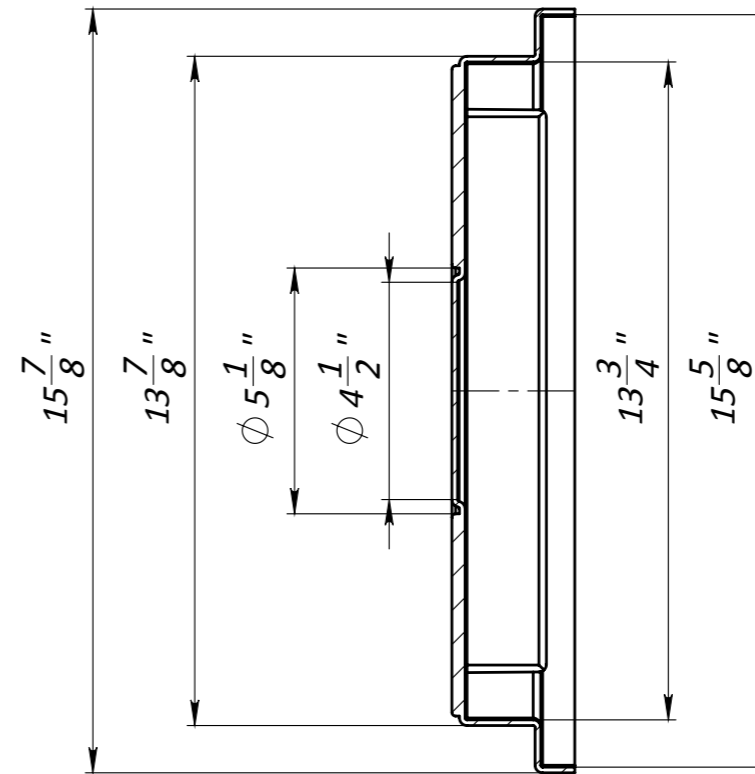
Sign. and date

Orig. Inv. No.

Entrance Mat Plastic Base



SECTION B-B



					Art. 8640			
					Entrance Mat Plastic Base			
Rev.	Sheet	Doc. No.	Sign.	Data	NP-EPB8640	Let.	Weight (lb)	Scale
				04.22.16			2.59	1:4
					Sheet		Sheets 1	
					Plastic			