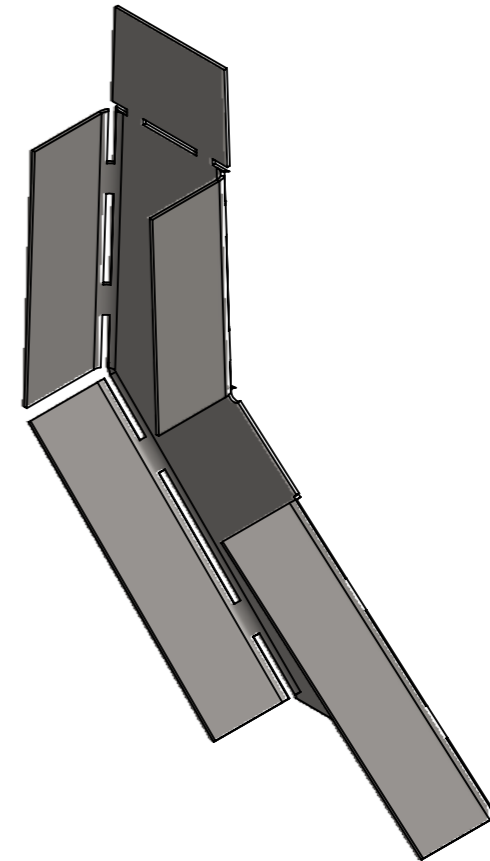
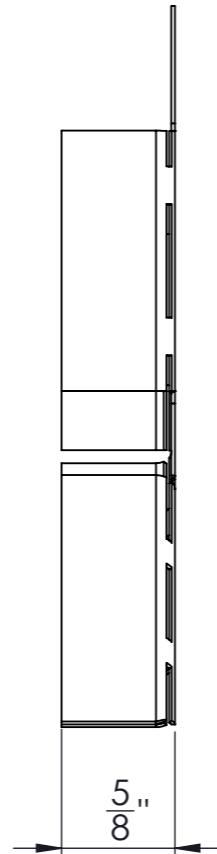
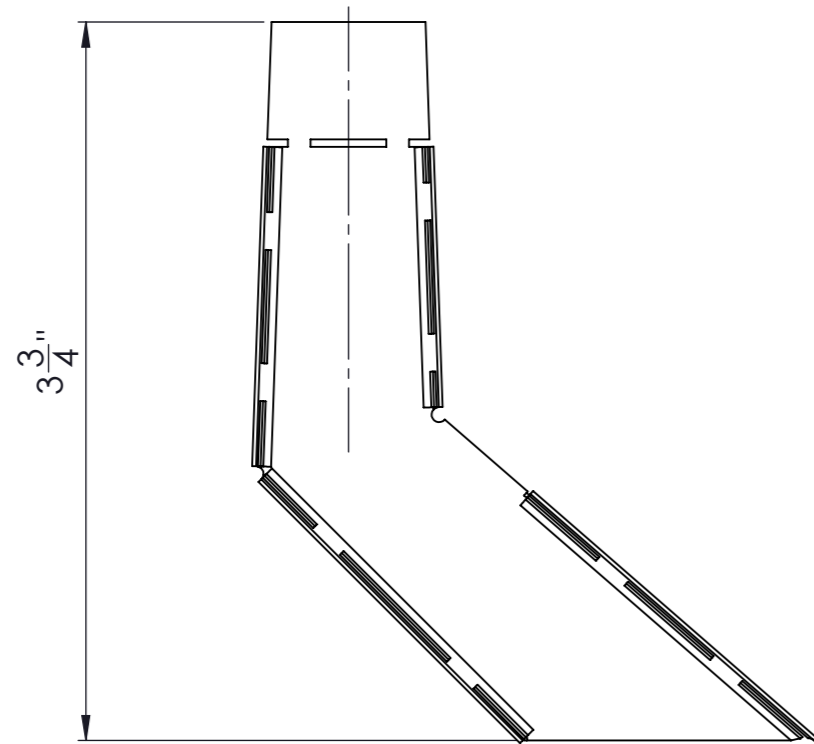


Orig. Inv. No.	Sign. and date	Repl. Inv. No.	Copy inv. No.	Sign. and date	Reference No.	Primary Usage



					Art. 6967-1L-100-R
					EndCap Right for Wall Slot Drain
					Let. Weight (lb) Scale
Rev.	Sheet	Doc. No.	Sign.	Data	6967-1L-100-R
				18.08.2020	0.04 1:1
					Sheet Sheets 1
					Stainless Steel
					