

Primary Usage

Reference No.

Sign and date

Copy inv. No.

Rept. Inv. No.

Sign and date

Org. Inv. No.

Plastic Channel 8"

40"

11"

$\Phi 4\frac{3}{8}"$

A

B

B

$3\frac{1}{8}"$

$\Phi 4\frac{3}{8}"$

$\Phi 6\frac{1}{4}"$

A

$5\frac{1}{8}"$

$39\frac{3}{8}"$

SECTION A-A

$10\frac{1}{4}"$

$9\frac{3}{8}"$

8"

$7\frac{1}{8}"$

$4\frac{1}{2}"$

$1\frac{1}{8}"$

SECTION B-B

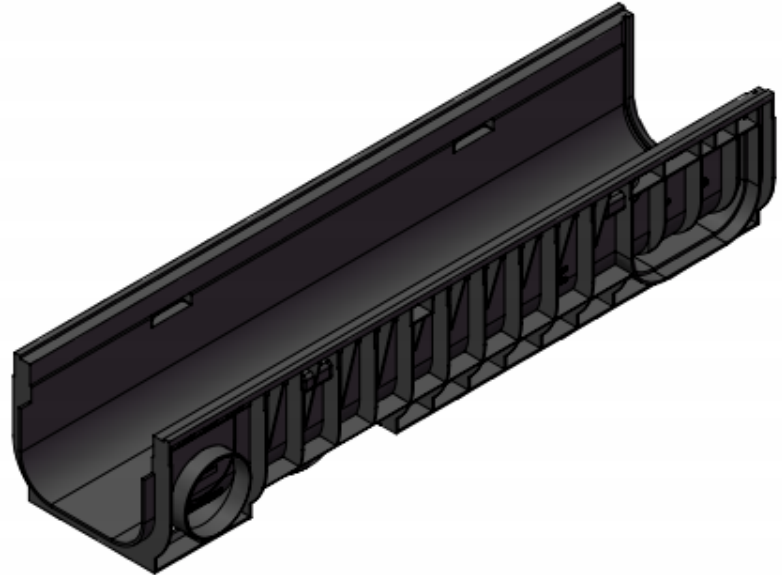
$10\frac{3}{8}"$

$9\frac{1}{4}"$

$9\frac{7}{8}"$

$9\frac{1}{4}"$

$10\frac{3}{8}"$



- Material properties:
1. Water Absorption, 24 hrs 0.01-0.03 %
  2. Work Temperature -40 to 176°F
  3. Chemical resistance YES

Rev.	Sheet	Doc. No.	Sign.	Date
				04.08.16

Plastic Channel 8"			Art.	8540
NP-PC 8540		Let.	Weight (lb)	Scale
Plastic			7.24	1:5
		Sheet	Sheets 1	