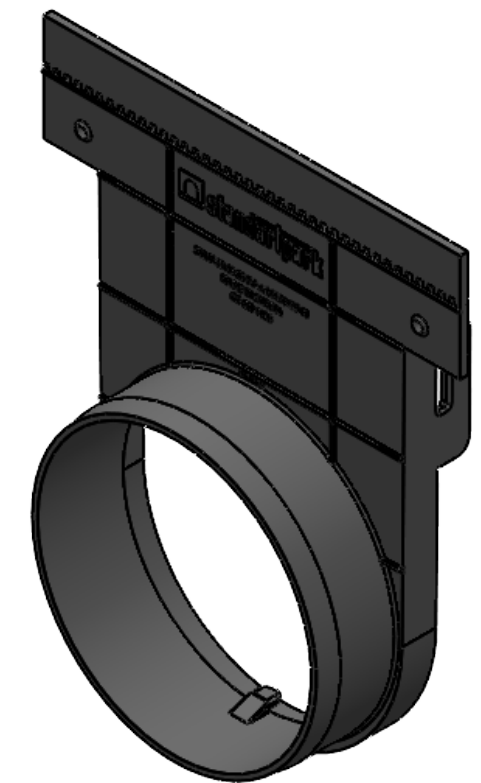
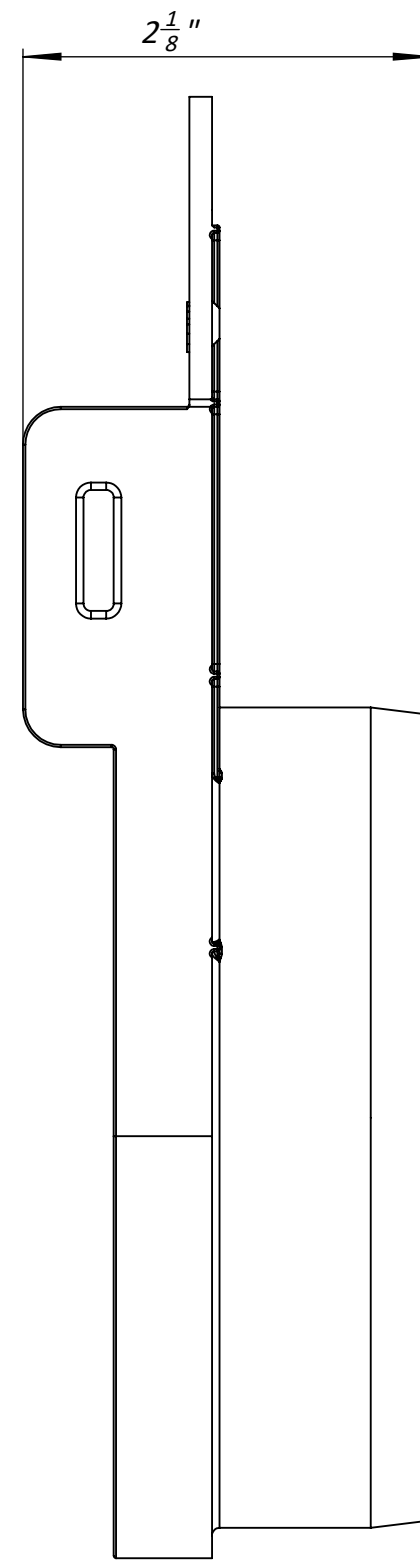
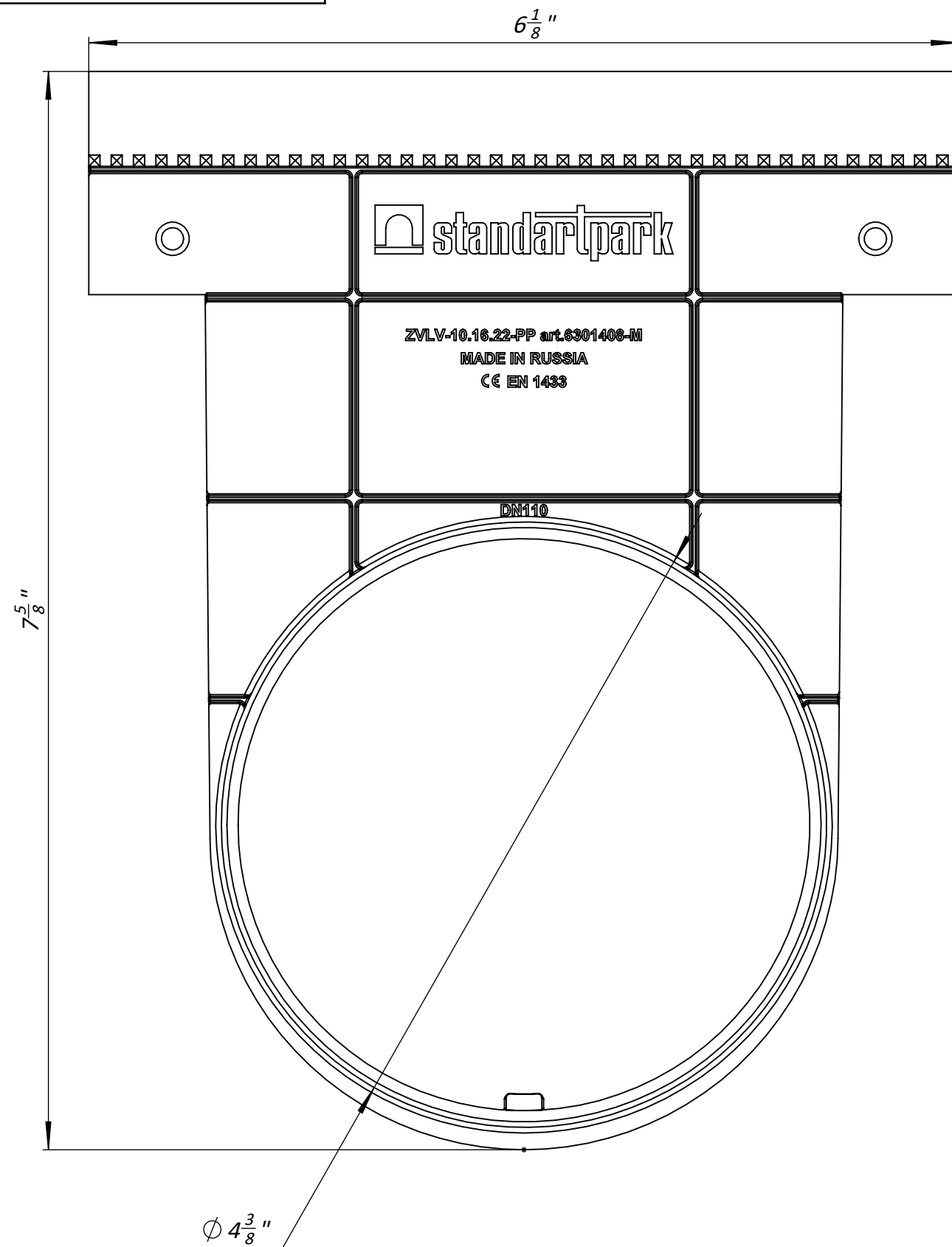


Primary Usage
Reference No.
Sign. and date
Copy inv. No.
Repl. Inv. No.
Sign. and date
Orig. Inv. No.

4" End Cap with outlet



1. Deviation of the actual weight of the nominal can be up to 10%

					Art. 6301408-M
					4" End Cap with outlet
					Let. Weight Scale
					0.17 1:1
					Sheet Sheets 1
					Plastic
					STANDARTPARK