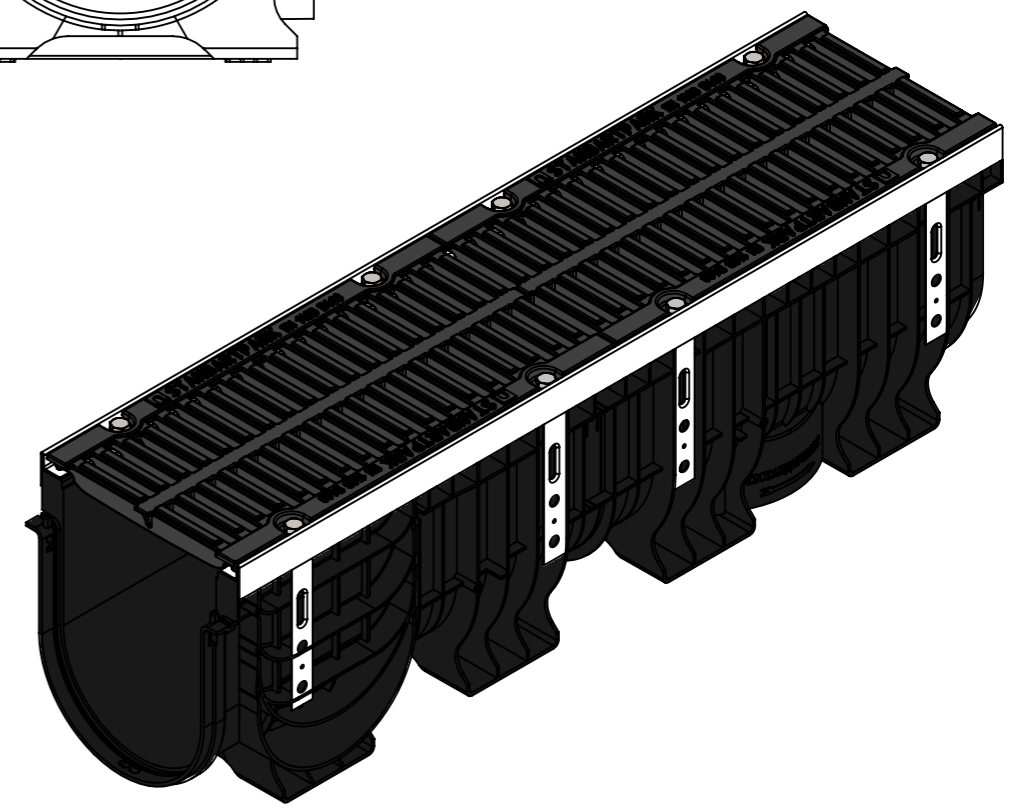
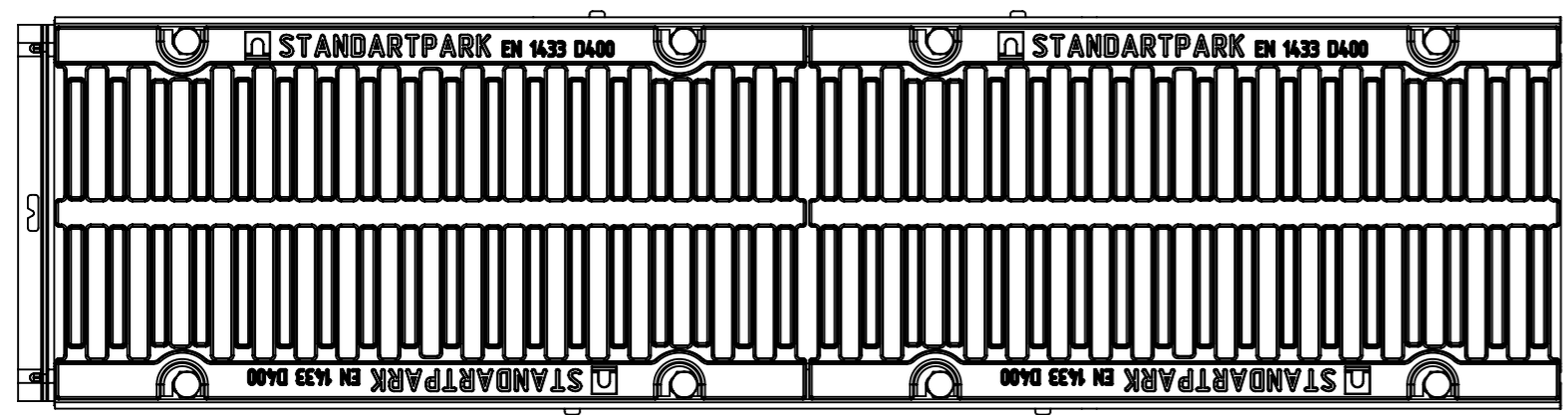
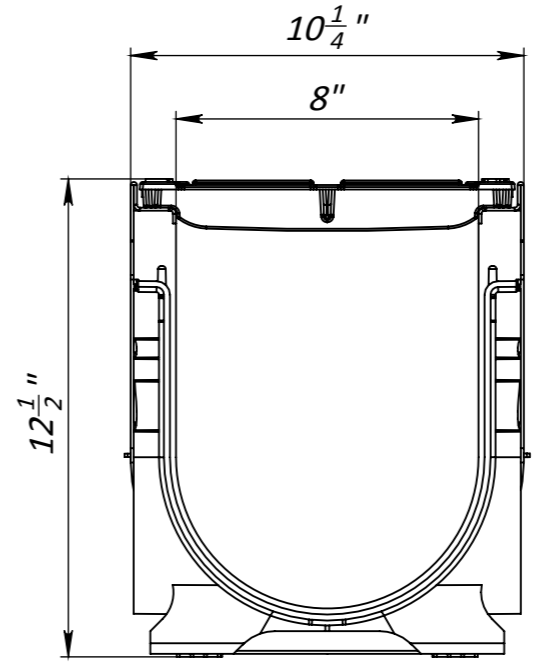
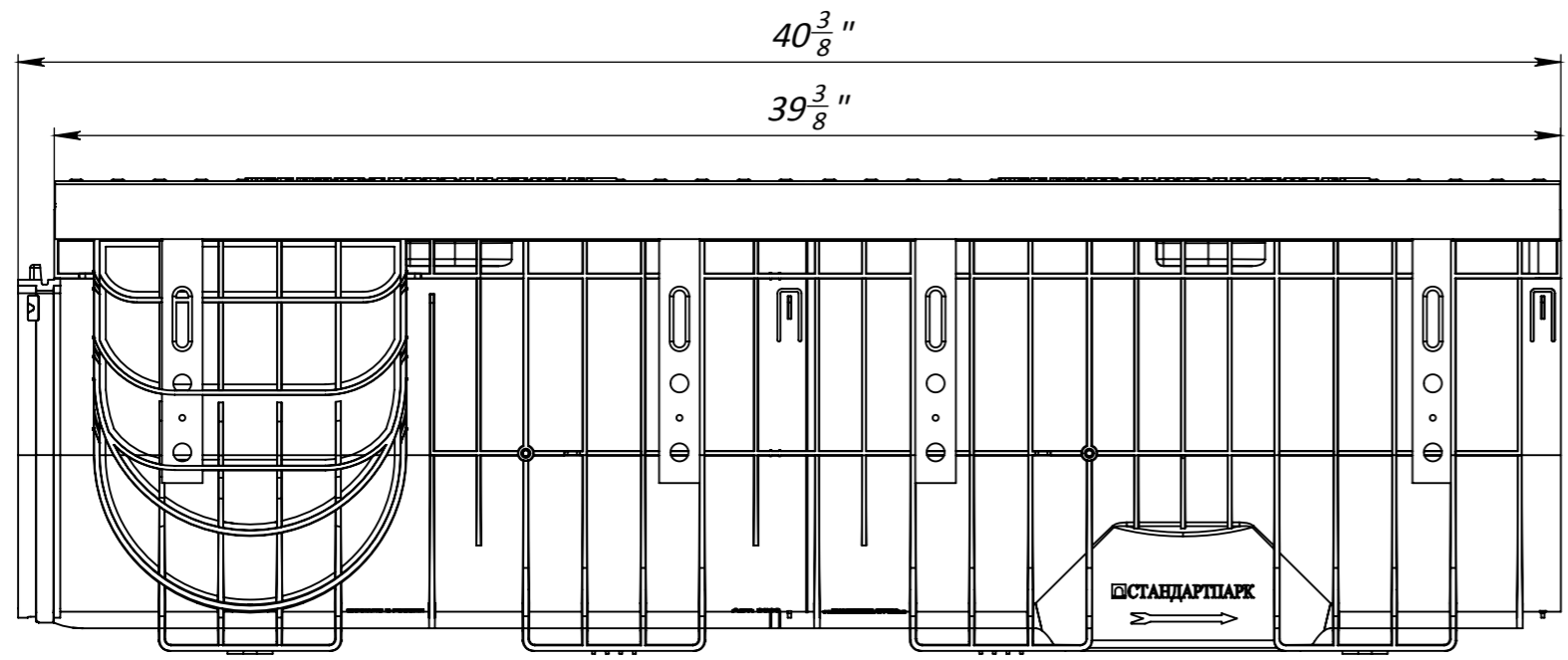


Primary Usage  
Reference No.  
Sign. and date  
Copy inv. No.  
Repl. Inv. No.  
Sign. and date  
Orig. Inv. No.

8" Plastic Drainage Set



- 1. Area of water intake slots 116 sq in
- 2. Deviation of the actual weight of the nominal can be up to 10%

					Art. 0856034			
					8" Plastic Drainage Set			
Rev.	Sheet	Doc. No.	Sign.	Data	<b>0856034</b>	Let.	Weight (lb)	Scale
				11.09.18			54.55	1:5
					Load Class D	Sheet	Sheets 1	
					Plastic, Ductile Cast Iron, Steel			