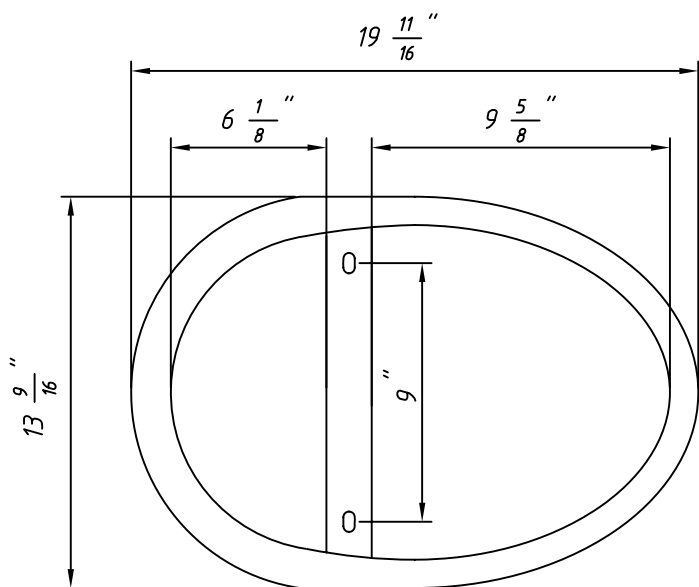


1. Drill 2 holes for Expansion bolt provided.
2. Insert Expansion bolt into the holes, see Note about fastener on Instruction



M8X50 Expansion bolt

