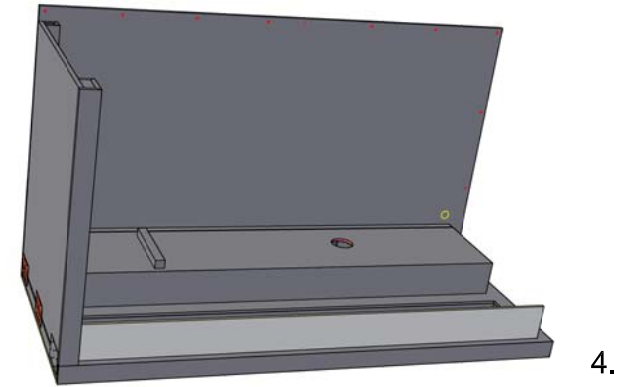
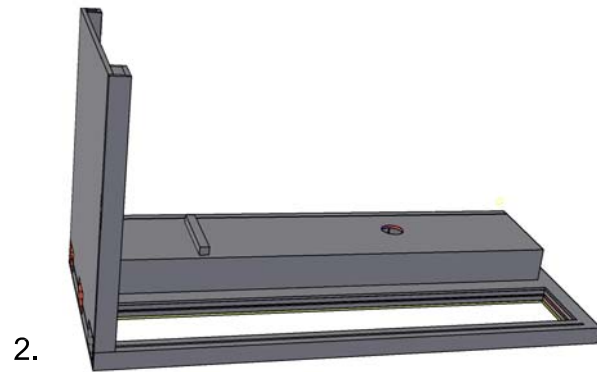


NOTE: ASSEMBLY SHOULD TAKE PLACE IN ROOM WHERE CAPSULE WILL BE USED. COMPLETED UNIT WILL BE TOO CUMBERSOME TO MOVE EASILY. THIS ASSEMBLY METHOD REQUIRES 8'-0" HIGH CLEARANCE TO UP-RIGHT THE COMPLETED UNIT.

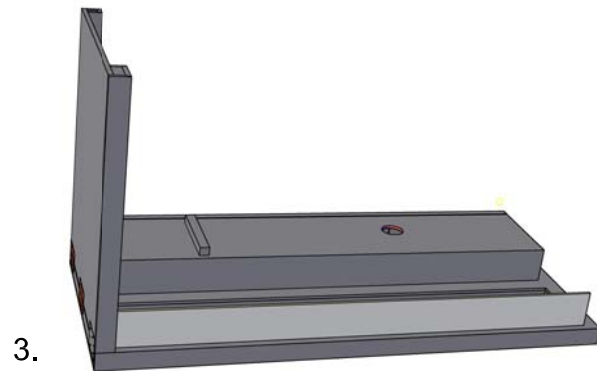
LAYOUT HARDWARE PARTS. SORT BY ALIKE PARTS.



1. LAY RIGHT SIDE ASSEMBLY ON FLOOR, OUTSIDE FACE DOWN. RIGHT SIDE ASSEMBLY CONTAINS CABINET WHERE HALO GENERATOR WILL BE HOUSED

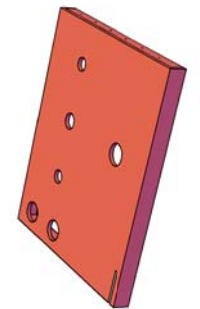


2. STAND BASE ASSEMBLY ON RIGHT EDGE AND ATTACH BASE TO BOTTOM EDGE OF RIGHT SIDE ASSEMBLY. INSTALL THREE MENDING PLATES ON BOTTOM CONNECTING BASE AND RIGHT SIDE ASSEMBLY USING TEN 5/8" SCREWS EACH.

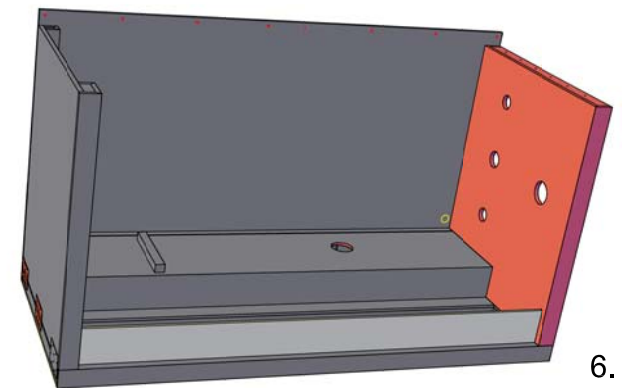


3. LAY FRONT SIDE-LITE GLASS INTO GROOVE ON RIGHT SIDE ASSEMBLY AND BUTT INTO GROOVE ON BASE ASSEMBLY.

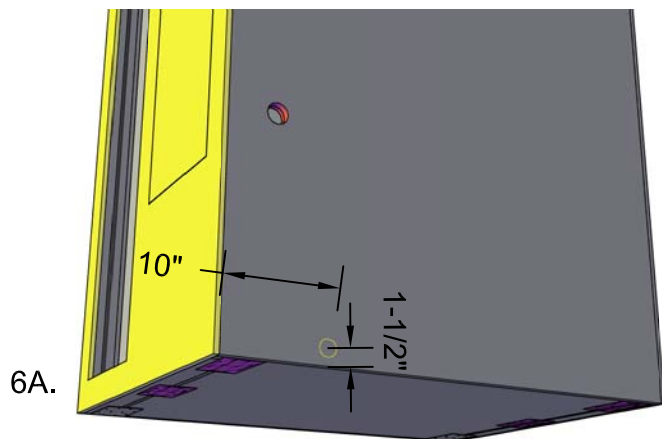
4. STAND BACK PANEL ASSEMBLY ON RIGHT EDGE AND BUTT TO CONSTRUCTED PARTS. CONNECT BACK PANEL BY INSTALLING SEVEN 2" SCREWS THROUGH BACK PANEL INTO RIGHT SIDE ASSEMBLY AND TWO SCREWS INTO BASE ASSEMBLY.



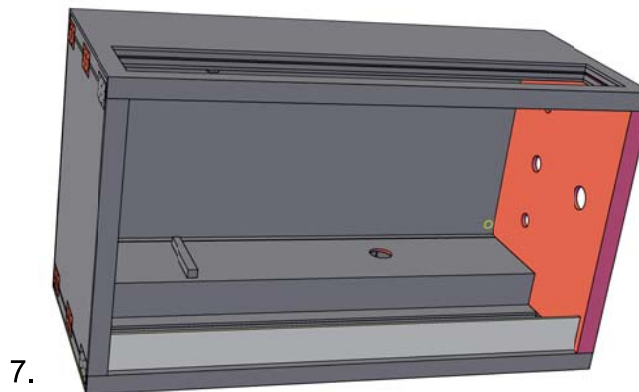
5. INSTALL ROUND VENT IN 4" ROUND HOLE IN TOP ASSEMBLY. INSTALL ROUND L.E.D. LIGHT IN 3" ROUND HOLE IN TOP ASSEMBLY. INSTALL ROUND CEILING BOX COVERS IN BOTH 2.5" ROUND HOLES IN TOP ASSEMBLY.



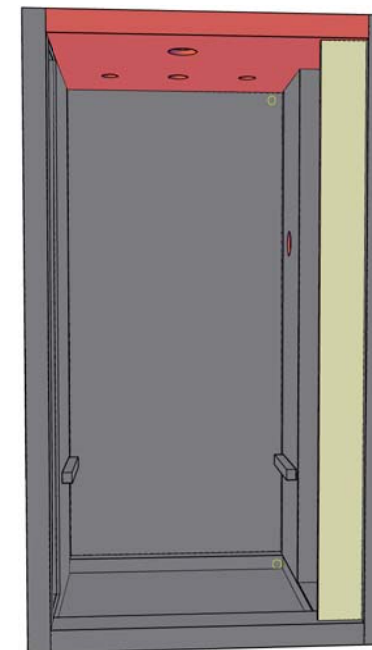
6. STAND TOP ASSEMBLY ON RIGHT EDGE AND ATTACH TO TOP EDGE OF RIGHT SIDE ASSEMBLY. FIT FRONT SIDE-LITE GLASS INTO GROOVE PROVIDED IN TOP ASSEMBLY. INSTALL SIX 2" SCREWS FROM INSIDE TOP ASSEMBLY TO ATTACH TOP TO RIGHT SIDE ASSEMBLY. INSTALL TWO SCREWS THROUGH BACK PANEL TO ATTACH TO TOP ASSEMBLY.



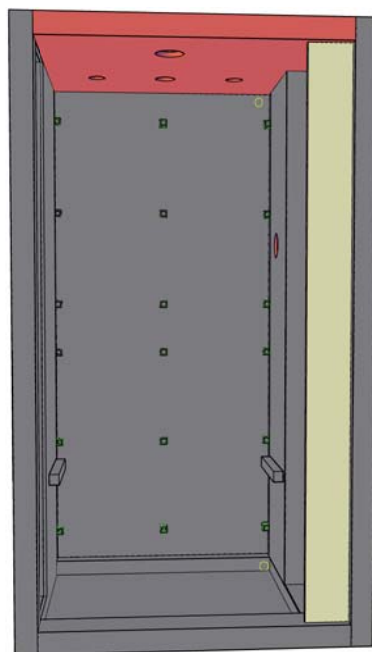
6A.



7.



8.



9.

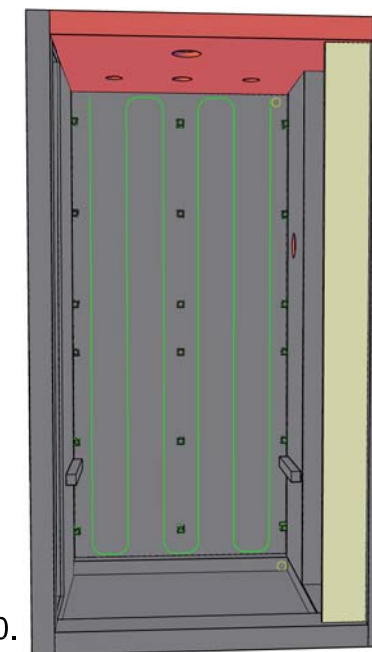
6A. **OPTIONAL:** DRILL 1-1/2" HOLE IN NEW ASSEMBLY AT BASE TO FEED POWER CORD FOR FLOOR HEAT MAT OUT BACK SIDE OF ASSEMBLY. 10" FROM SIDE AND 1-1/2" FROM BOTTOM EDGE.

7. LIFT LEFT SIDE ASSEMBLY, OUTSIDE FACE UP, ONTO CONSTRUCTED PARTS. INSTALL SEVEN SCREWS THROUGH BACK PANEL TO CONNECT TO LEFT SIDE ASSEMBLY. INSTALL SIX SCREWS THROUGH TOP ASSEMBLY TO CONNECT TO LEFT SIDE ASSEMBLY. INSTALL THREE MENDING PLATES ON BOTTOM CONNECTING BASE TO LEFT SIDE ASSEMBLY WITH TEN SCREWS EACH. INSTALL ALL WHITE NYLON FURNITURE GLIDES IN EQUIDISTANT PATTERN ON BOTTOM OF BASE ASSEMBLY.

8. LIFT CONSTRUCTED CAPSULE TO UPRIGHT POSITION. MOVE TO FINAL POSITION IN ROOM. LEAVE SPACE BEHIND UNIT TO MANAGE POWER SUPPLY CORD.

9. INSTALL SQUARE, CLEAR ACRYLIC SPACERS ONTO BACK WALL INSIDE CAPSULE AT SPECIFIED LOCATIONS WITH CLEAR PACKING TAPE.

10. INSTALL CLEAR PLASTIC ROPE LIGHT CLIPS FOLLOWING DIAGRAM IN DRAWING. THREE CLIPS AT EACH TOP CURVE. INSTALL L.E.D. ROPE LIGHT ASSEMBLY ONTO LIGHT CLIPS USING SPECIFIED PATTERN. DRILL 1-1/2" HOLE AT TOP-RIGHT OF BACK PANEL. FEED POWER CABLE THROUGH HOLE IN BACK PANEL.



10.

11. INSTALL TWO CLEAR ACRYLIC PANELS
INSTALL EIGHTEEN SCREWS TO SECURE ACRYLIC PANELS. DO NOT OVER TIGHTEN.

11A. INSTALL WHITE HDPE ON BACK EDGE OF FLOOR PAN TO SUPPORT SALT BLOCKS IN NEXT STEP.

12. INSTALL SALT BLOCKS USING CLEAR SILICONE ADHESIVE SUPPLIED.

13. BENCH SUPPORT RAILS MAY NEED TO BE ADJUSTED BY MOVING FORWARD TO CREATE SPACE FOR SALT BLOCKS. INSTALL SEAT.

14. INSTALL HALO FX UNIT IN EQUIPMENT COMPARTMENT. INSTALL HALF DOME SHIELD WITHIN CAPSULE AREA. INSTALL POWER SURGE PROTECTOR AND FISH CORD THROUGH HOLE IN BACK PANEL.

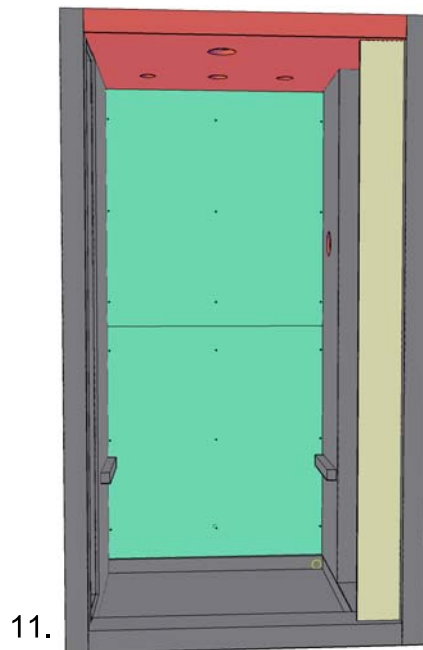
15. INSTALL COMPARTMENT DOOR AND HANDLE.

16. INSTALL GLASS DOOR HINGES PER INSTRUCTIONS PROVIDED.

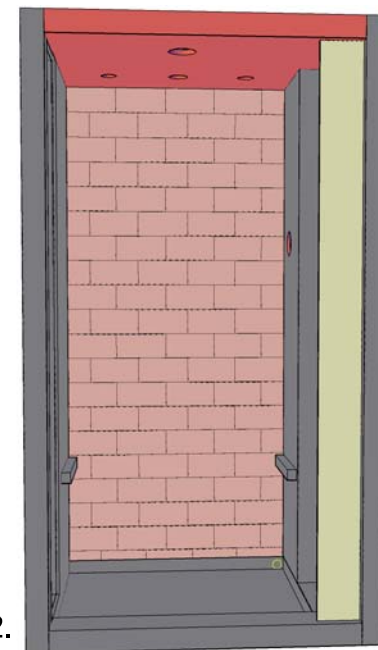
INSTALL GLASS DOOR AND ADJUST AS NEEDED.

INSTALL DOOR PULL HARDWARE.

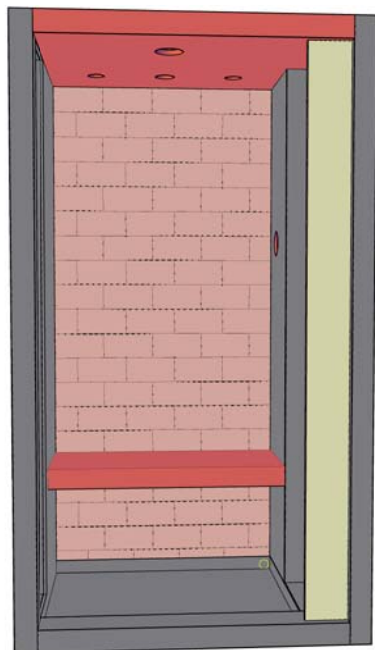
INSTALL SEAL ON PERIMETER OF DOOR.



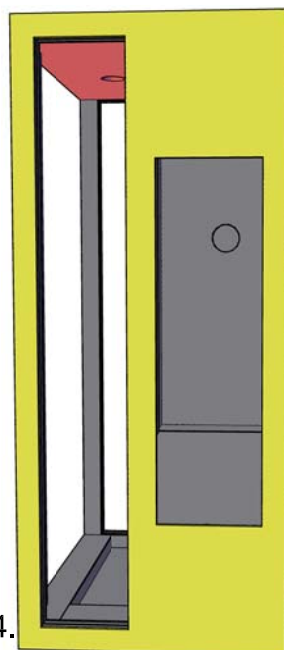
11.



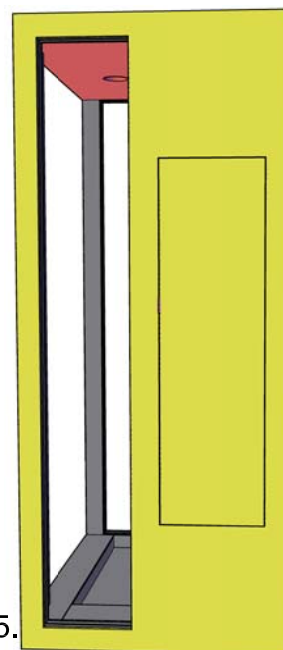
12.



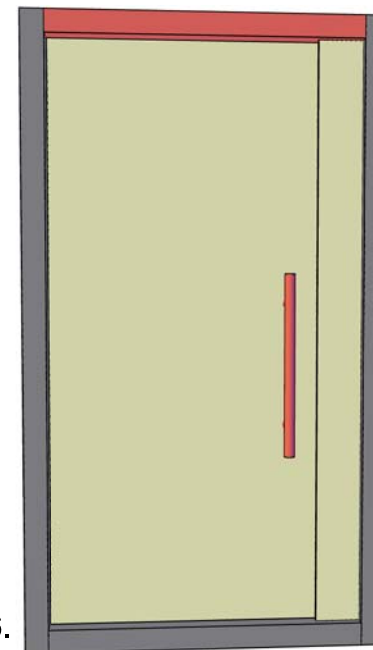
13.



14.



15.



16.

**-TOTALS-
ITEMS TO SHIP**

- 89 bricks (100% pink)
- 1 rope light w/ plug
- 20 rope light clips
- 18 acrylic spacers 1-3/8"
- 2 acrylic panels
- 18 SS screws for spacers 2"
- 5 tubes of caulk

