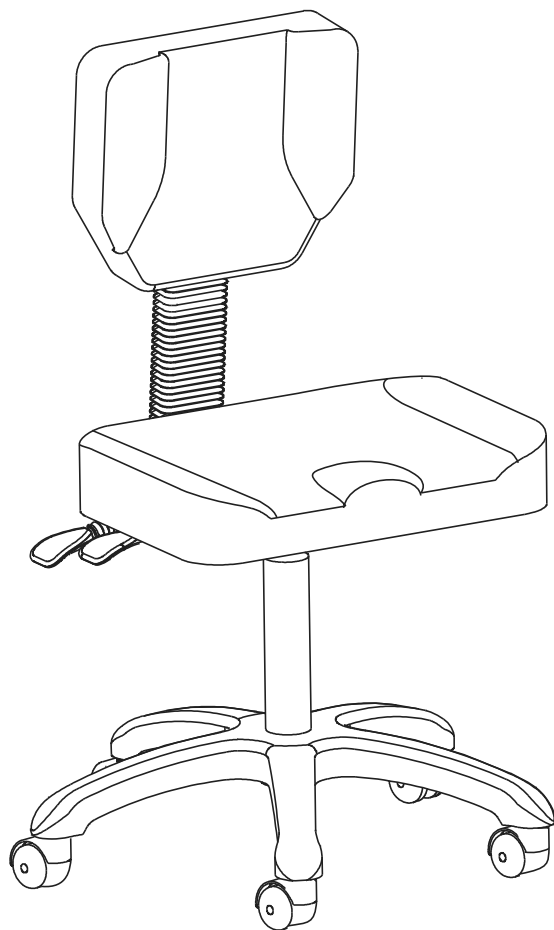


DIR[®]

Cadence

9030YH

INSTRUCTION MANUAL



1. About This Manual

This manual shall only be used for the reference of operation of this particular model. If the manual is used for other purposes, we will not undertake any according consequences and responsibility. All information of this manual shall be protected by copyright and shall not be copied and translated in any part of this specification without the written consent of manufacturer.

2. Warning

- Do not stand on the product.
- Do not allow children play with the product.
- Do not place the equipment in damp places such as bathroom, do not expose to direct sunlight.
- Do not use this product in the places where you are painting/spraying paints.

3. Precautions

- Operators should use this product in strict accordance with the instructions, and save this manual for future reference.
- Comply with safe operating procedures, do not overload. Make sure the components of the product are in good condition, eliminate the unsafe factors.
- Tighten the casters, backrests, and the seat regularly, to avoid malfunctions caused by loose or falling parts.
- This product must not be used under faults. When abnormal phenomena or abnormal sounds are found, please check about it immediately. Use after problem solved.
- Operator should be familiar with the precautions described in each chapter of the product manual to ensure personal and product safety.
- Please place the equipment on a level ground.
- If the casters are damaged, please replace them before use.
- After each treatment, use a neutral reagent to remove the dust and stains on the leather and wood.
- Put the product to a proper location, according to the overall layout, the daylighting or artificial lightings and operation condition of the working environment. And keep it in the clean, dry and cool environment.

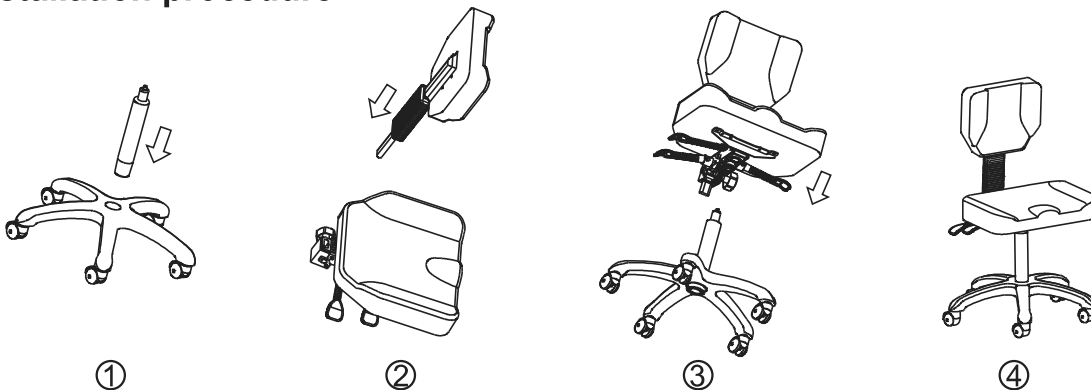
4. Assembly and Operation

1. Put the product to a proper location, according to the overall layout, the daylighting or artificial lightings and operation condition of the working environment. And keep it in the clean, dry and cool environment.
2. Open the packing carton to check if the bed is intact and whether the accessories or spares are complete. Please contact distributor or us if there's any problem.

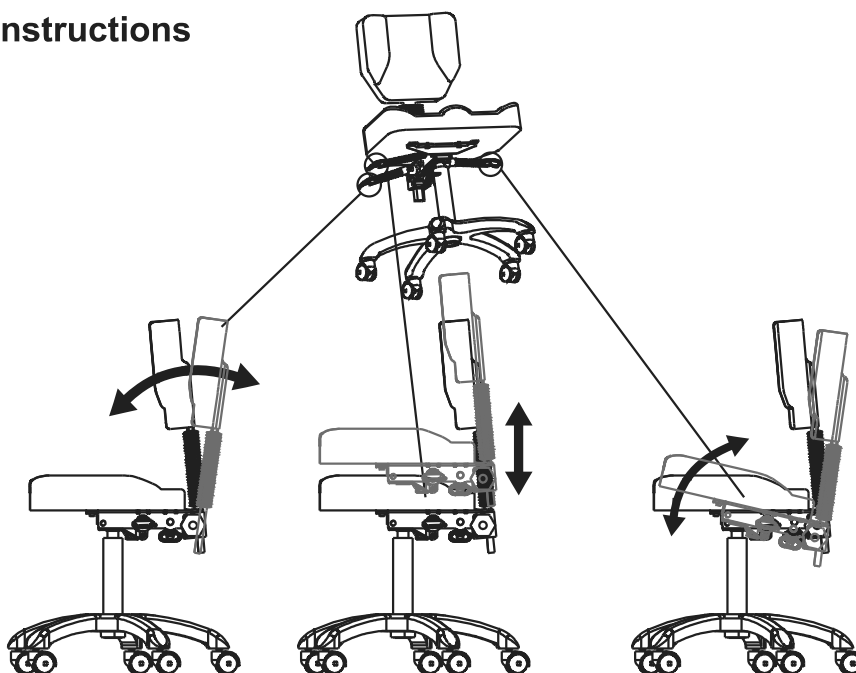
3. Installation

This product graphic is only for display, the specific product structure please refer to the actual product.

Installation procedure

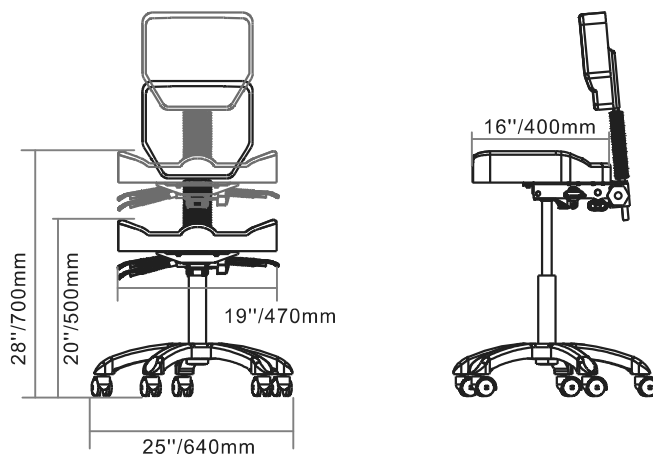


Operation Instructions



5. Technical Parameters

	USA	UK
Lifting Rated Load	386 lbs	175 kg
Package Size	23×12×24 inch	590×300×600mm
Net Weight	20.5 lbs	9.3kg
Gross Weight	24.7 lbs	11.2kg



6. Maintenance

If there is grease, please wipe the surface with clean water and neutral reagent, and use a soft cloth to remove dust and stains. It is forbidden to use alcohol, strong acid, strong alkali and other solvents to prevent premature deterioration of plastic parts.

7. Troubleshooting

Not working properly	1.Can't raise or lower the stool.	1.Replace the gas lift.
	2.Casters cannot rotate or move.	2. Replace the caster.

If problem is still not solved after above operations, please contact maintenance center or supplier to solve it.

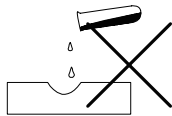
8. Product care



Brush away excess hair.



Clean surface with damp cloth or use simple soap & water solution.



Avoid using corrosive cleaning agents such as bleaches.



Do not remove upholstery for cleaning.

9. Warranty

The warranty period is one year. DIR warrants to you, the original buyer, that goods shall be free of defects in material and/or workmanship attributable to manufacture for one year from date of its receipt of product. Damage resulting from improper handling after merchandise is received, or from exposure to weather or extreme atmospheric conditions is not covered by the warranty.

For any other information please contact our support team:

DIR BIRMINGHAM

66 Rea Street South
Birmingham
B5 6LB
UK

Tel:
+44(0)121 6434777

Email:
dирsalon@gmail.com

DIR LONDON

Unit 1 River Road
Business Park
33 River Road, Barking
Greater London
IG11 0DA
UK

Tel:
+44(0)20 8591 9310

Email:
dирsalon@gmail.com

DIR NEW YORK

575 Underhill Blvd.
Suite 170
Syosset, NY 11791
USA

Tel:
+1 (718)628-6668
+1 (800)728-2008

Email:
sales@dирsalonfurniture.com

DIR IRELAND

Unit 20, Goldenbridge Ind.
Estate Tyrconnell Road
Inchicore
Dublin 8
Republic of Ireland

Phone:
+353 (1) 429 7969

Email:
sales.ireland@dirgroup.ie

▲ Please check the product specification before use. This manual is for reference only. Specifications are subject to change without prior notice.