

DIR[®]

Bellucci

8194

INSTRUCTION MANUAL



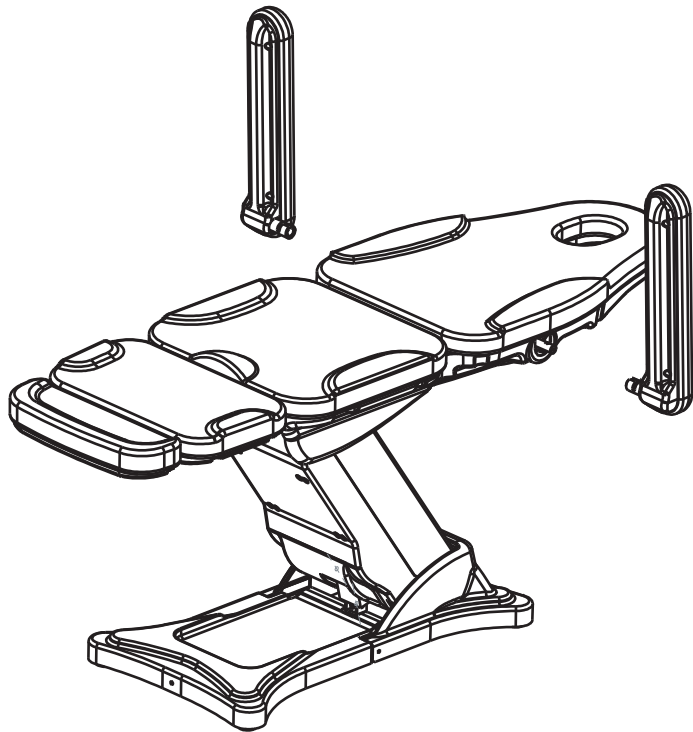
Operation of beauty bed

(1) Insert the pin-shaped power cord, 110V ~ 240V is available.

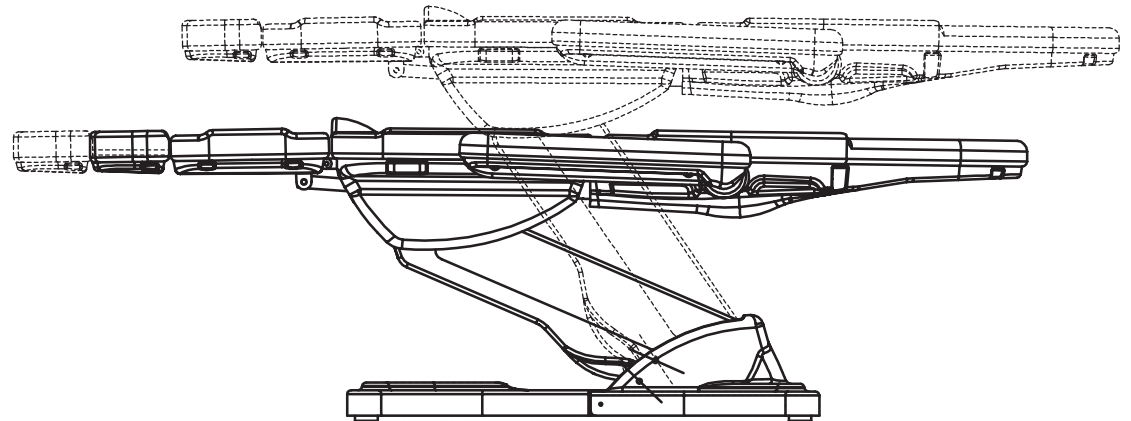
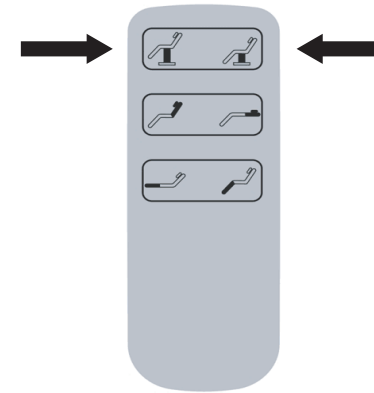
Handrail installation method: The handrail is perpendicular to the ground (regardless of the angle of the bed surface)

Shake the armrest left or right to push the armrest into the slot.

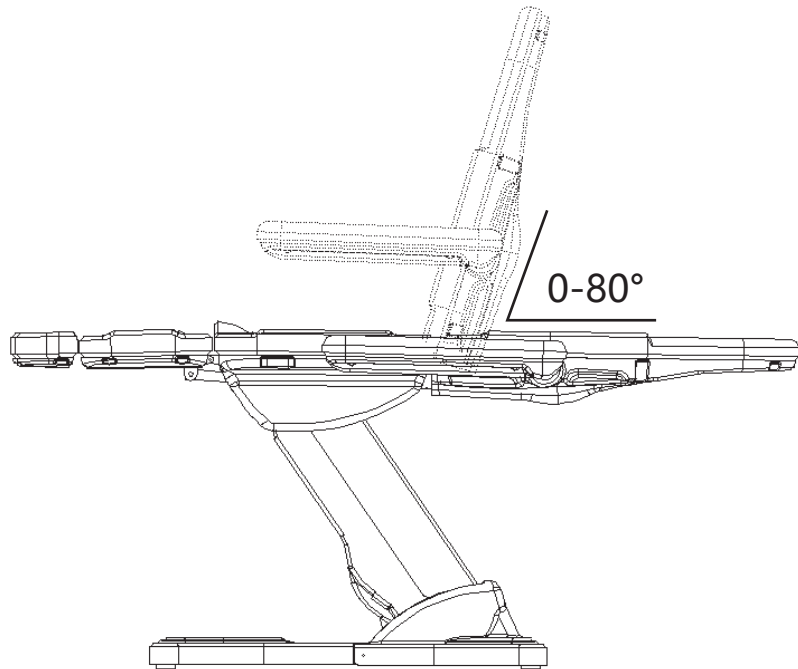
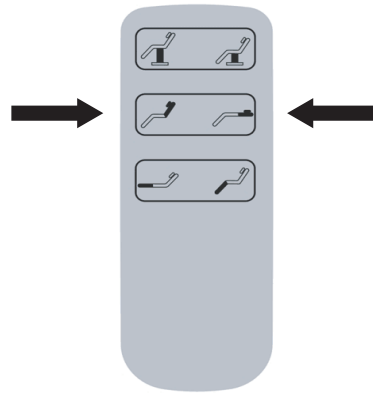
Armrest can be rotated 0-180 °



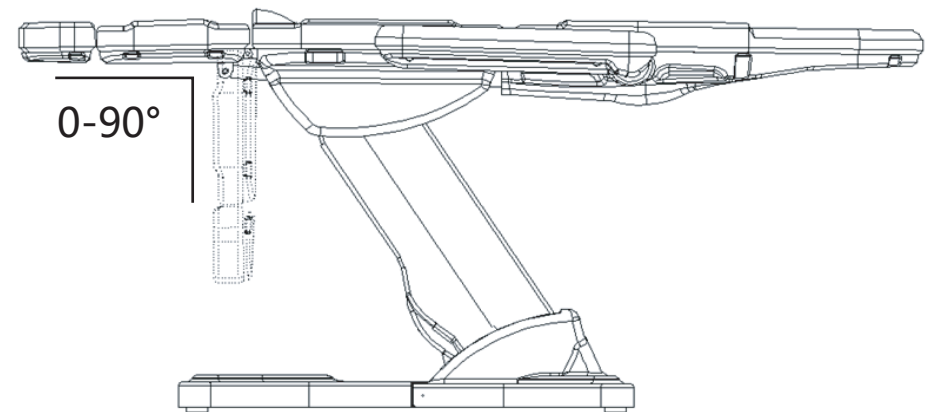
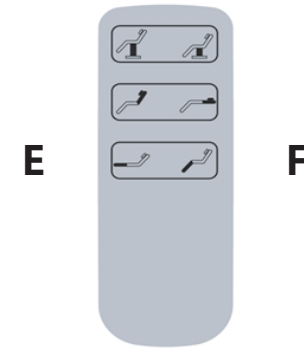
Hand control function



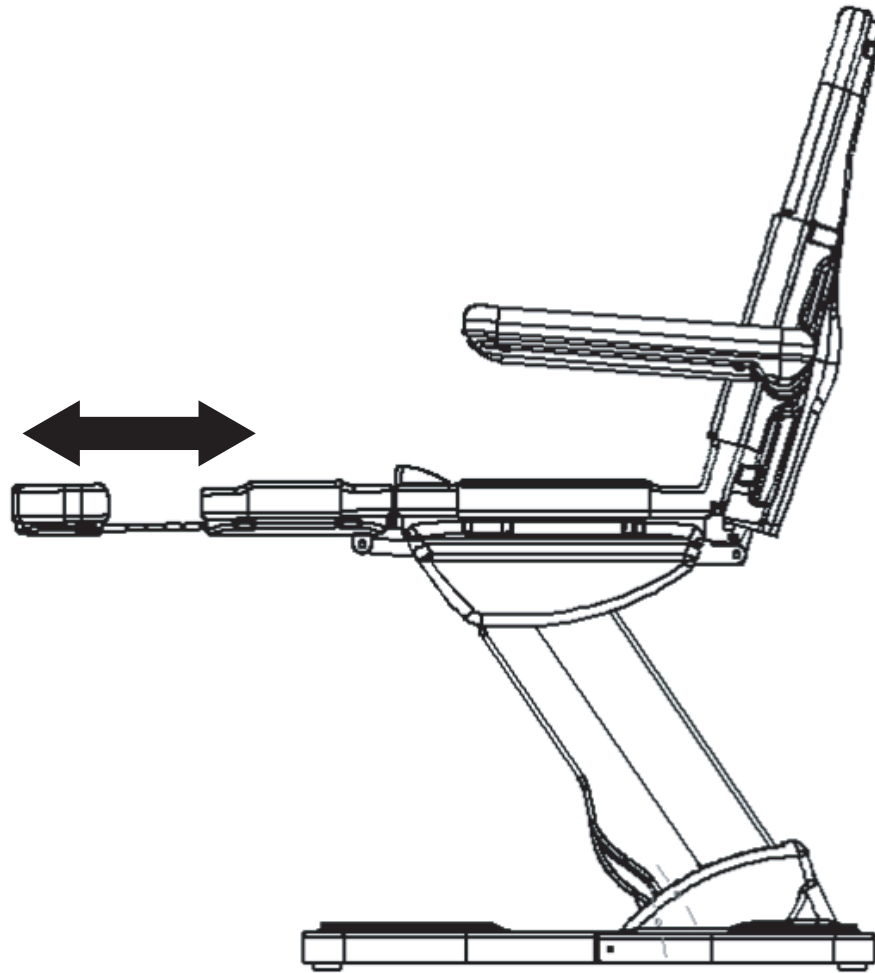
Hand control function (Backrest adjustable 0-80°)



Hand control function (Leg adjustable 0-90°)



Adjustment of leg extension



Precautions for Cleaning and Disinfection

※Please unplug the power cord before cleaning

In order to keep the surface of the beauty bed in good condition, please clean it regularly. Keep in mind that the bed needs to be cleaned and disinfected before applying to different users. A thorough disinfection per month is recommended.

I Metal and plastic surface

Clean metal and plastic surface and hand controls with wet cloth or weak alkaline cleaning solution. And use small brushes in corners and other difficult-reaching places. When cleaning, rinse with clean water and dry carefully. Do not use too much liquid or disinfectant (alcohol or chlorine) and follow the instructions of the disinfectant manufacturer, then evaporate and dry the bed at room temperature.

II. Stainless steel surface

The surface is highly chemical resistant, which needs to be cleaned with mild detergent solution. Ammonia and most solvents can be used to remove stains that are difficult to dye. Avoid using chlorinated solutions or chrome plating on metal surface;

Make sure that all surfaces are dry before connecting to the main power supply and using equipment,

Do not use water spray (shower, high pressure water gun) for cleaning;

Do not clean under high temperature and high air humidity. Do not expose the equipment to the environment that may lead to liquid pollution.

Do not use solvent for cleaning; do not use acid for cleaning;

Sterilization wears away the surface. After disinfection, please clean the surface with a clean wet towel.

III Bed surface

Please use clean soft towel to wipe the bed surface, with special leather detergent to wipe evenly. And then use clean soft towel to wipe it clean again. Do not touch the bed surface with wet cloth, hard or acid or alkaline chemicals, so as to avoid affecting the surface quality and service life.

Maintenance

✖ **Before maintenance, make sure to unplug the power cord and confirm that the function is off**

- ① Read the instructions carefully
- ② Experienced and manufacturer-authorized personnel is required for maintenance. Maintenance by unauthorized personnel may cause injury or damage to equipment that the manufacturer is not responsible for.
- ③ Only original fittings proved by the manufacturer are allowed.
- ④ Do not use the beauty bed or its fittings. If it does not function properly, please unplug the power cord first and use the safety switch and then contact the after-sales department.
- ⑤ All maintenance and repair operations must be recorded.

Maintenance measures

Check the control, its wiring, the status and functions once a week.

The following fittings need to be checked at least every six months:

1. Power cord and its fixing
2. Motor wiring
3. Control box and its wiring
4. fittings are attached and fixed
5. Normal operation of locking system
6. Complete all adjustments and ensure that the beauty bed works properly

If you find any defects, please stop using the equipment. Please contact after-sales department if you find it making noise or malfunctions. Only experienced or authorized personnel can open or replace the actuator/control unit.

If some fittings of the equipment are damaged, please remove the power cord and stop using the equipment. Inform the after-sale department to ensure that all parts are properly placed after any maintenance measures.

Common troubleshooting

No.	Troubles	Solutions
1	Hand-controlled doesn' t work	Switch the position of the hand-controlled plug which connects to control box (check whether there is any motor problem). Keep in mind that the original position of the plug must be identified.
2	Electric motor doesn' t work	Switch the position of motor plug

To replace the controller and order other spare fittings, please contact the service department and describe the following information:

1. Model
2. Date of purchase

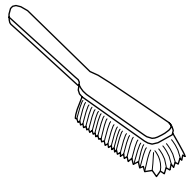
Warnings

- 1.The headrest cannot support the full weight of an adult;
2. Do not jump directly onto the beauty bed.
- 3.Do not sit directly on the head and legs.
4. Do not operate the beauty bed near flammable gas.
5. Before rising or lowering the bed, please check whether there are obstacles above and under the bed.
6. Do not overload;
7. Make sure the socket can be reached in 2 meters.

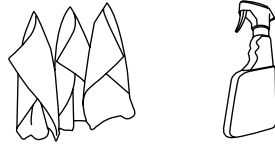
Attention

1. For security please do connect the power to the socket.
2. To avoid pulling the power cord while lifting, do not tie the power cord to the equipment. Meanwhile please make sure that the power cord can be easily disassembled in case of an emergency.
3. Before moving the beauty bed, be sure to remove the power cord to avoid getting stuck among spare parts of the bed.
4. If the power cord is damaged, unplug the power cord immediately and stop using the bed, please contact the after-sales service in time for manufacturer's power cord.
5. Make sure that non-operator cannot move or touch any control button by accident.
6. There should be enough space around the beauty bed.
7. Avoid any sharp objects or other harmful objects around the bed.
8. Do not modify the structure of the beauty bed or install privately other fittings onto it. If the beauty bed does not work properly, please stop using and contact the after-sales department.
9. Do not place the beauty bed near the threshold. The bed should be unpacked according to instructions in this manual.

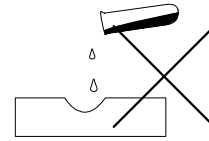
Product care



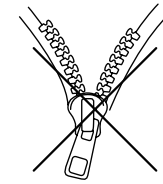
Brush away excess hair



Clean surface with damp cloth or use simple soap & water solution.



Avoid using corrosive cleaning agents such as bleaches.



Do not remove upholstery for cleaning

Warranty

The warranty period is one year. DIR warrants to you, the original buyer, that goods shall be free of defects in material and/or workmanship attributable to manufacture for one year from date of receipt of product. Damage resulting from improper handling after merchandise is received, or from exposure to weather or extreme atmospheric conditions is not covered by the warranty. For any other information please contact our support team:

DIR BIRMINGHAM

66 Rea Street South
Birmingham
B5 6LB
UK

Tel:
+44(0)121 6434777

Email:
dirsalon@gmail.com

DIR LONDON

Unit 1 River Road
Business Park
33 River Road, Barking
Greater London
IG11 0DA
UK

Tel:
+44(0)20 8591 9310

Email:
dirsalon@gmail.com

DIR NEW YORK

575 Underhill Blvd.
Suite 170
Syosset, NY 11791
USA

Tel:
+1 (718)628-6668
+1 (800)728-2008

Email:
sales@dirsalonfurniture.com

DIR IRELAND

Unit 20, Goldenbridge Ind.
Estate Tyrconnell Road
Inchicore
Dublin 8
Republic of Ireland

Phone:
+353 (1) 429 7969

Email:
sales.ireland@dirgroup.ie