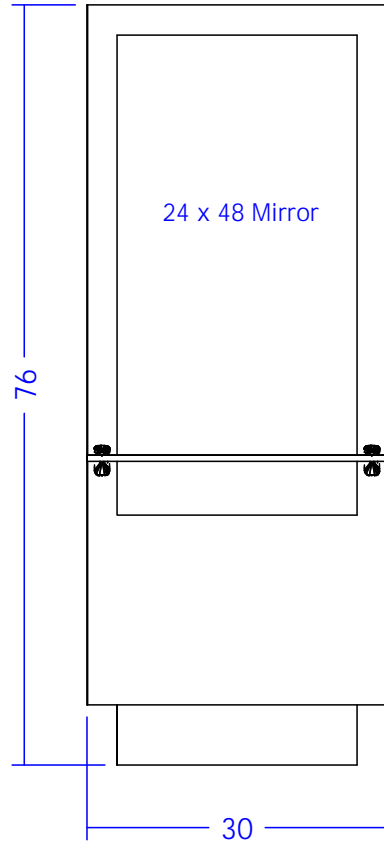
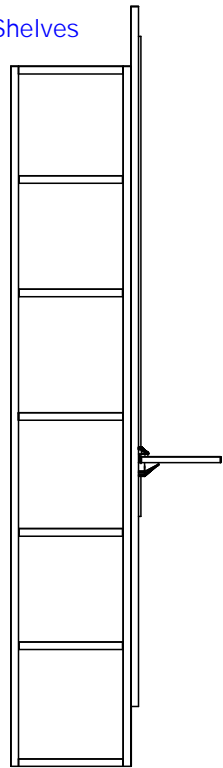
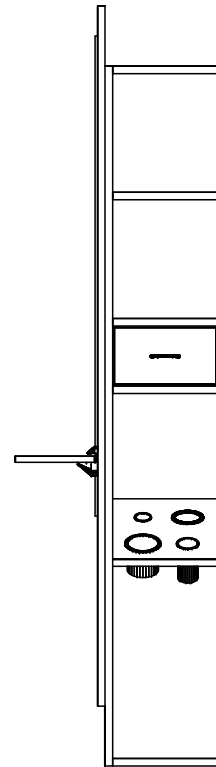


4 Adjustable Shelves

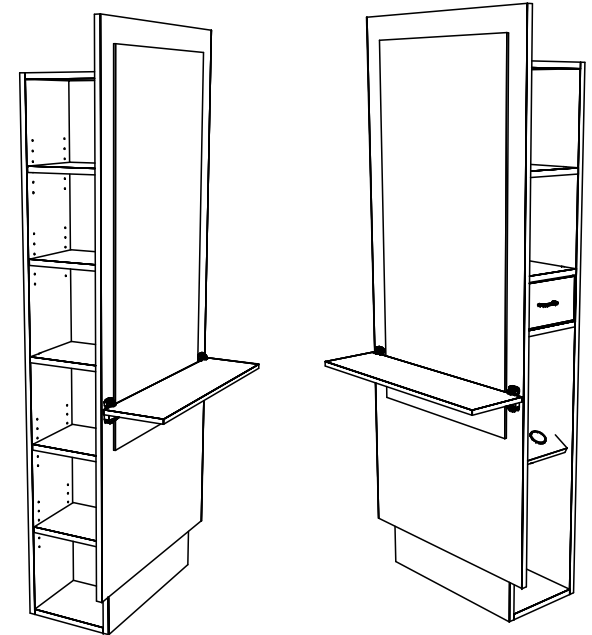


24 x 48 Mirror



Drawer

Tool Holders



Finish Schedule - J10

Face Color -
Top Color -
Toe Color -
Reveal / Accent Color -
Hardware - Chrome Wire
Interior - Black
Other (Specify) -



Jeffco
5269 U.S. Hwy. 158
Advance, NC 27006

Title: **J10 Java Formula Station**

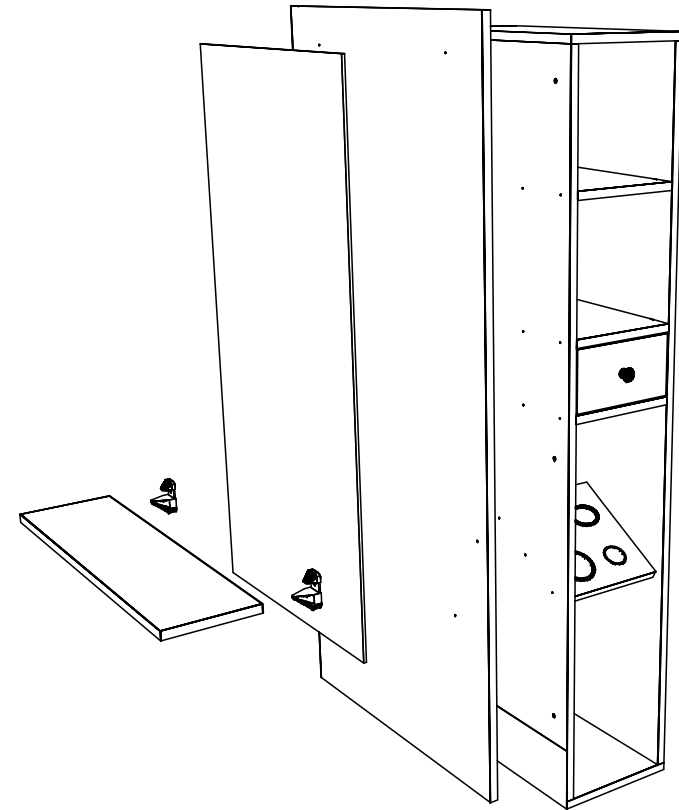
Size: **NTS** Drawing Number: Drawn By: **Brian**

Date: Sheet

This item is attached to the wall with wood screws. 3" wood screws and decorative washers are provided for wood framed walls. Fasteners for other wall types are to be obtained locally. Screw through the back panel in locations which will be inconspicuous after installation. Suggested locations include: under shelves, behind drawers, and locations hidden by products or supplies.

Mirrors are provided with mirror clips and wood screws. Two different sizes of screws are provided: 3/4" screws for attaching the mirror to wood cabinet components and 1" screws for going through gypsum board into a wood framed stud wall. Use the 3/4" screws and the factory drilled holes.

Holes are predrilled for the ledge clamps at factory. Hardware for attaching to panel is also included.



Finish Schedule - J10

Face Color - Black
 Top Color - Black
 Toe Color - Black
 Reveal / Accent Color -
 Hardware - Chrome Wire
 Interior - Black
 Other (Specify) -



Jeffco
 5269 U.S. Hwy. 158
 Advance, NC 27006

Title: **J10 Java Formula Station**

Size: NTS Drawing Number: 10784 Drawn By: Brian

Date: 04/13/11 Sheet