

ATLAS FLEX-BLOCK™ SALT LOUNGE #31060

Cradled in healing comfort, experience the nourishing benefits of Himalayan salt while relaxing on the heated, ultra-comfortable Flex-Block™ Salt Lounge. Client lays directly on our innovative flex-top surface - Himalayan salt tiles that cushion and give way with the body for a comfortable, cradling feeling. With remote control, the motorized lounge moves easily from upright to a soothing zero-gravity position. Waterproof heater warms the salt tiles that release negative ions to improve respiratory and allergy issues, decrease anxiety, and more.



STANDARD BASE COLOR:



WENGE

(Custom finishes available)

OPTIONS & ADD-ONS:

- Mani-Table #41059-02
- Mani-Table w/Quartz-Stone Top #41059-04
- So Sound® Vibrational Healing #31030-SO

IN COLLABORATION WITH:



Organic, 100% pure Himalayan salt squares flex for comfort while delivering health benefits.



Heated mat warms salt for maximum health benefits.



Artfully crafted, the lounge is both ergonomic and beautiful.

TOP:

Top design
Materials

Unique, ergonomic design offers surprising comfort while lounging on warm Himalayan Salt block. Flex-top technology allows salt block to contour to the body while providing a healthy atmosphere. Ergonomically shaped to help release stress. 100% Himalayan Salt blocks on mesh nylon mattress

Top size

32.5" x 69"

BASE & FRAME:

Materials
Finish
Capacity
Tilt

Solid rubberwood
Wenge finish
Static weight capacity 450 lbs. Suitable for persons up to 6'4" in height
Motorized adjustment holds Lounge in any position

GUARANTEES:

Structure
Mesh fabric

1 yr. on frame/structure
2 yrs. on materials

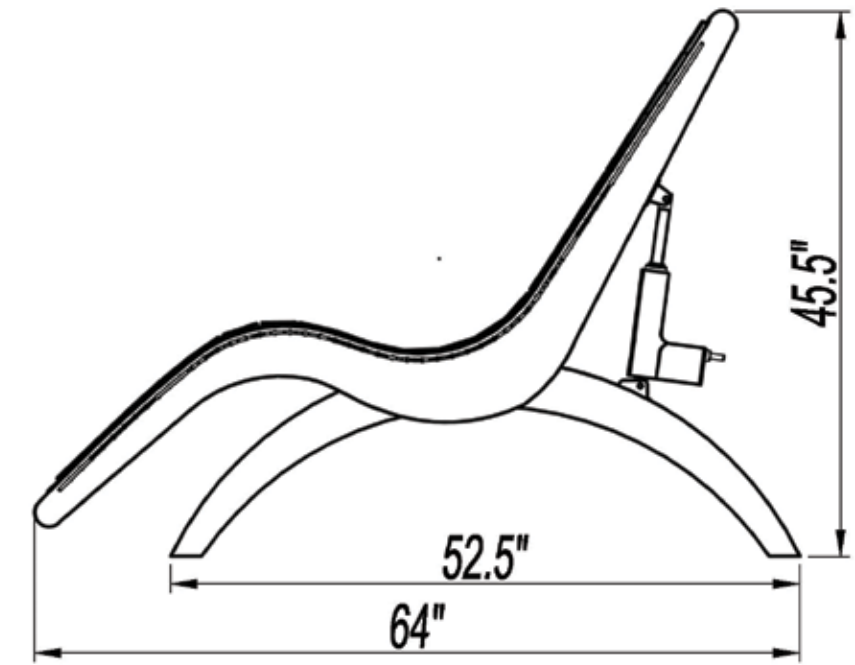
WEIGHTS:

Lounge weight
Shipping weight - boxed
Shipping dimensions

275 lbs. incl. salt blocks
340 lbs.
83" x 39" x 37"

REPLACEMENT BLOCKS:

Salt Lounge uses 240 blocks. Replacement kit includes 250.



MOTORS & CONTROLS

