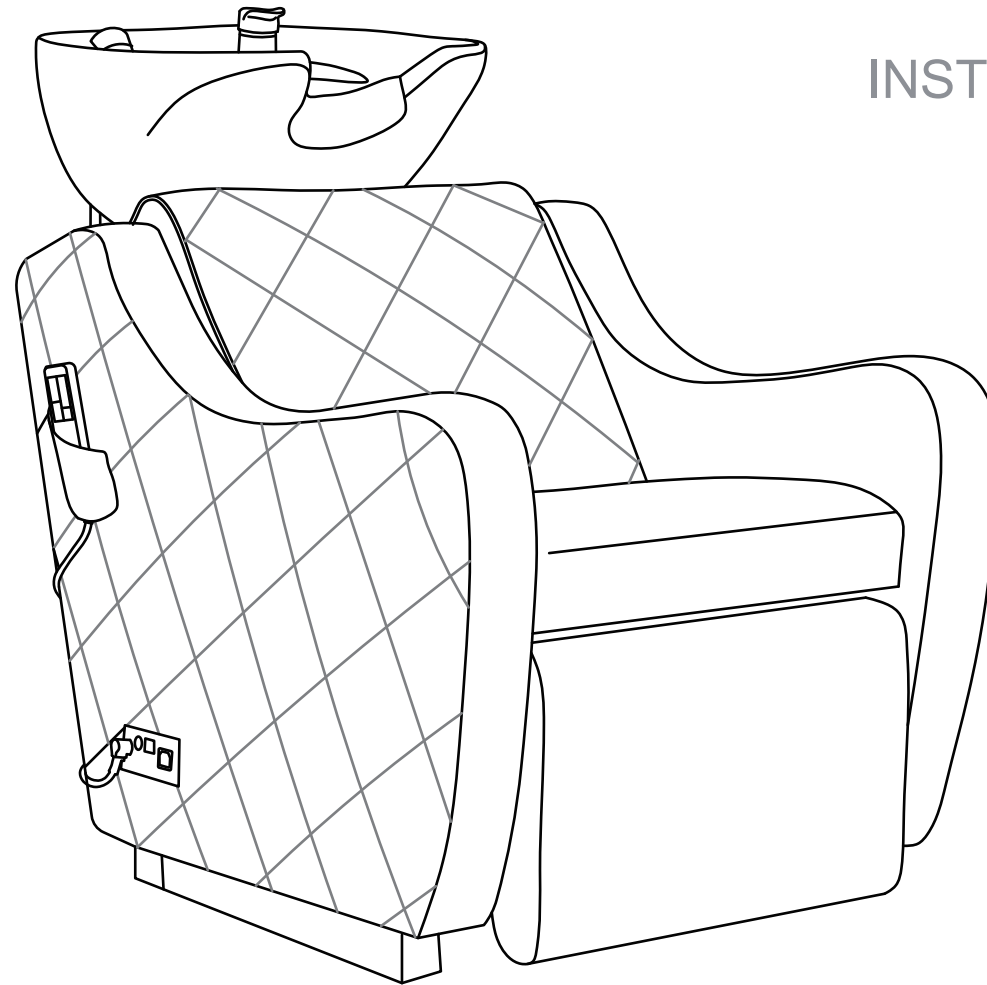


Minerva

7708

INSTRUCTION MANUAL



EN

CONTENTS

| | |
|---------------------------|----|
| Product Introduction | 3 |
| Warranty | 4 |
| Assembly Instructions | 5 |
| _List of Parts | 5 |
| _Tools Necessary | 8 |
| _Instructions | 9 |
| Plumbing Instructions | 16 |
| _Wall Plumbing | 17 |
| _Floor Plumbing | 18 |
| Floor Anchor Instructions | 19 |
| Assembly Complete | 20 |
| Aftercare Instructions | 21 |
| Contact Us | 22 |

Please read the operation manual before using the product.

Please put the operation manual in the place easy for you to read and you can read it at any time.

Product Name: Minerva
Product Code: 7708

Thank you for placing your order with the DIR. Our materials inc. faux leather etc, are specially sourced to provide quality and performance, as well as meeting UK/EU safety regulations to ensure customer satisfaction.

All of our backwashes are produced with strong resilient faux leather, tested by our manufacturer to ensure strength, memory, heat resistance and stain proofing. We also fit our backwash with fire-retardant, pre-moulded memory foam to ensure continual use and sustained durability, as well as a heavy duty hydraulic base we offer a one year warranty to ensure customer confidence in our products and our company.

WARRANTY

The warranty period is one year. DIR warrants to you, the original buyer, that goods shall be free of defects in material and/or workmanship attributable to manufacture for one year from date of buyer's receipt of product. Damage resulting from improper handling after merchandise is received, or from exposure to weather or extreme atmospheric conditions is not covered by the warranty.

For any other information please contact our support team:

| DIR BIRMINGHAM | DIR LONDON | DIR NEW YORK | DIR COLOGNE | DIR IRELAND |
|--|---|---|---|---|
| 66 Rea Street South Birmingham B5 6LB UK ----- Tel: +44(0)121 6433877 ----- Email: sales@dirgroup.co.uk | Unit 1 River Road Business Park 33 River Road, Barking Greater London IG11 0DA UK ----- Tel: +44(0)20 8591 9310 ----- Email: sales.london@dirgroup.co.uk | 24 Woodward Ave. Suite C Queens, NY 11385 USA ----- Tel: +1 (718)628-6668 +1 (800)728-2008 ----- Email: sales@dirsalonfurniture.com | Konrad-Adenauer-Straße 25 50996 Köln Germany ----- Tel: + 49 (0) 221/88888.128 ----- Email: sales@dirgroup.de | Unit 5 Block E, Riverview Business Park, Nangor Road, Dublin 12 Republic of Ireland ----- Tel: +353 (01) 429 7969 ----- Email: sales.ireland@dirgroup.ie |

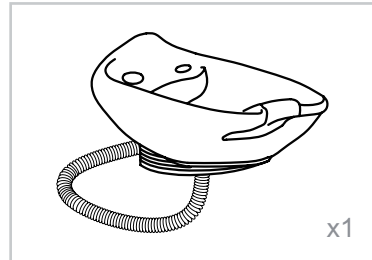
ASSEMBLY INSTRUCTIONS

List of Parts



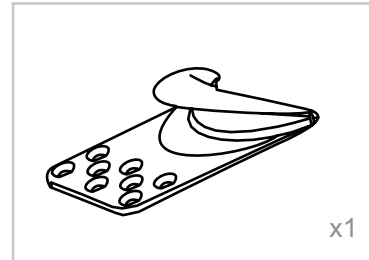
Base

x1



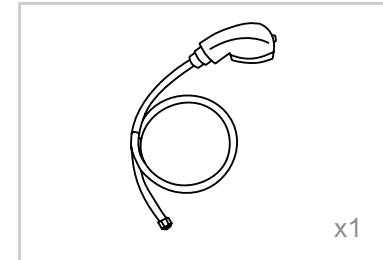
Sink + Drain Pipe
 $\phi = 3.2\text{cm} * 100\text{cm}$

x1



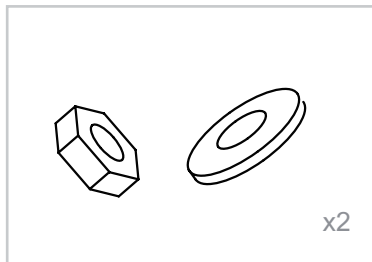
Neck Rest

x1



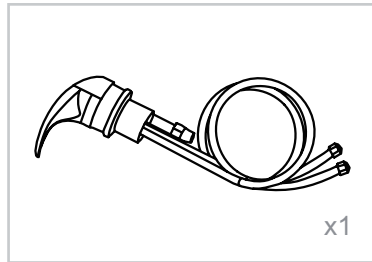
Sprayer Head
 $\phi = 1/2$

x1



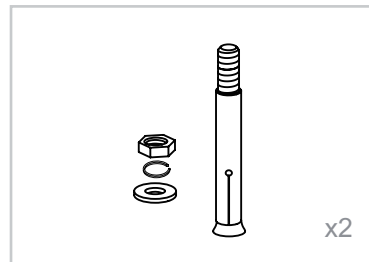
Washer & Gasket

x2



Faucet +
Red Hot Water Pipe ($\phi = 1/2$)+
Blue Cold Water Pipe ($\phi = 1/2$)

x1

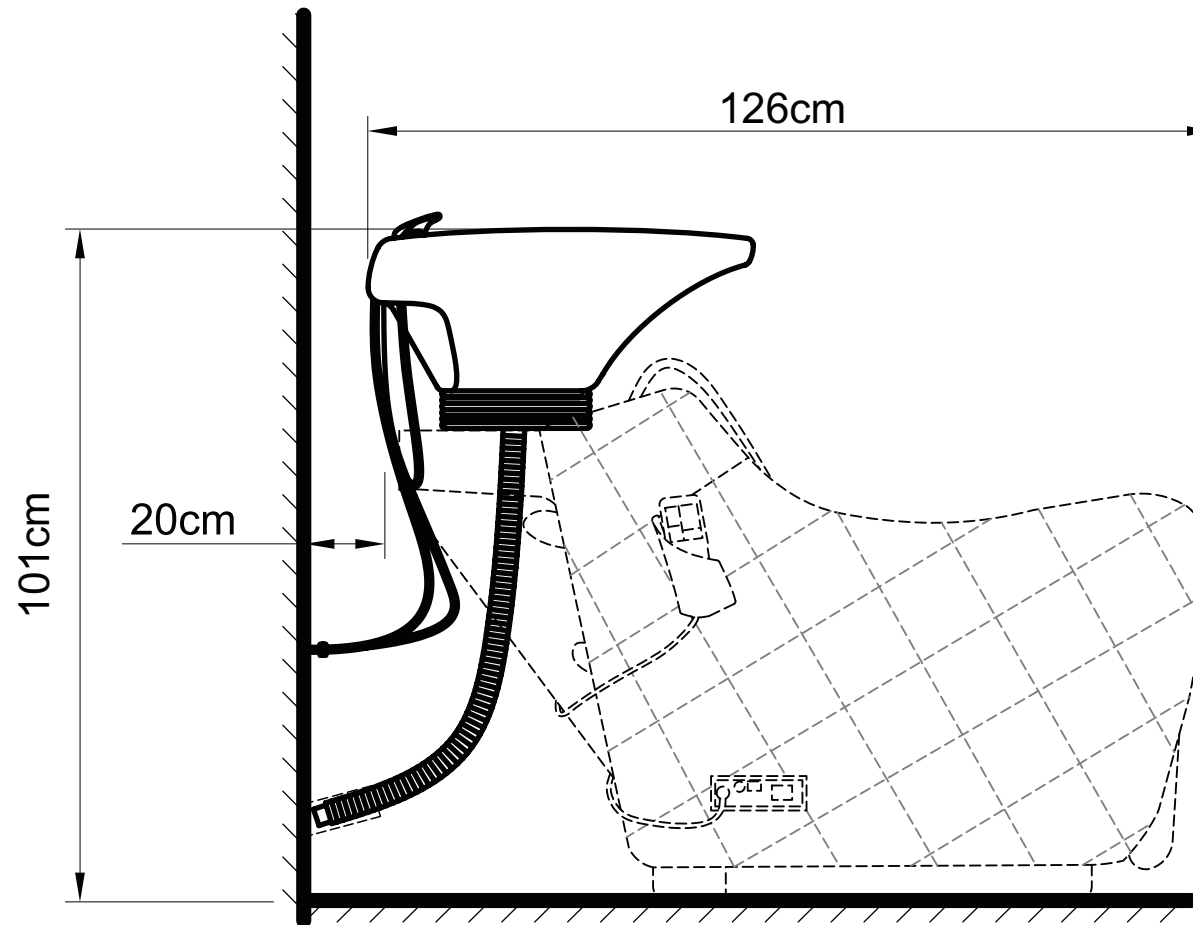


Floor Anchor

x2

ASSEMBLY INSTRUCTIONS

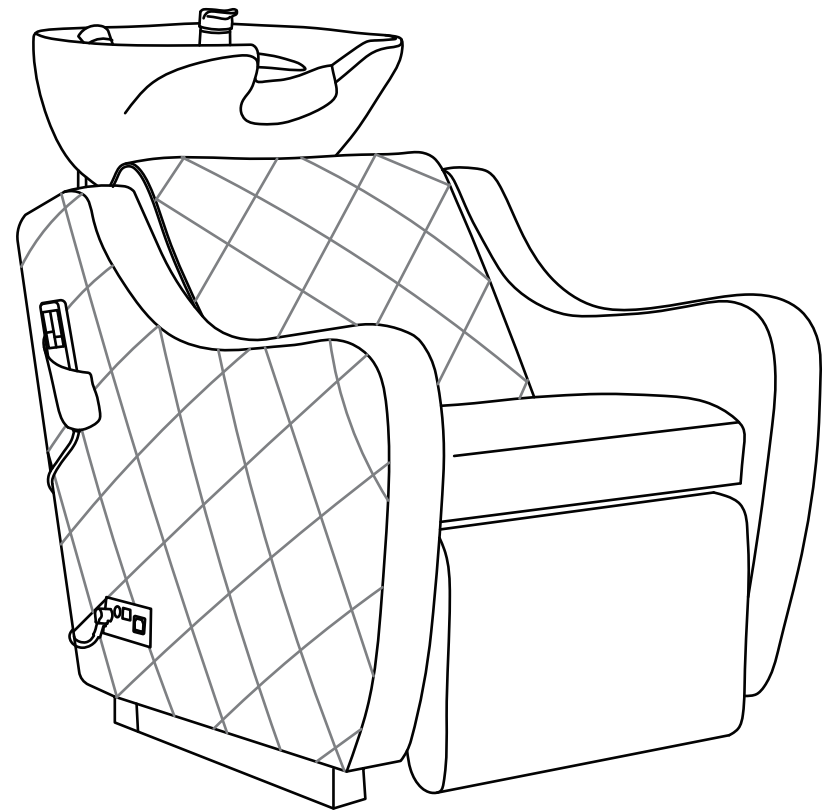
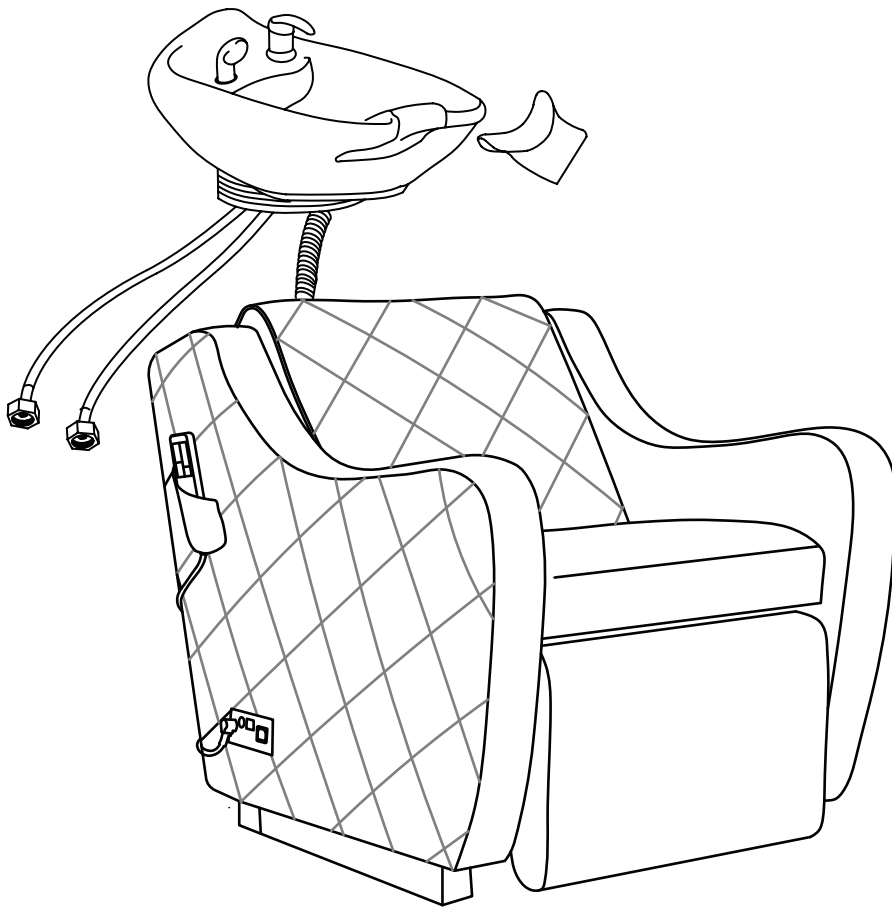
Please leave minimum 20cm of space measuring from finished wall to the back of the sink to allow sink's tilting position.



DIR

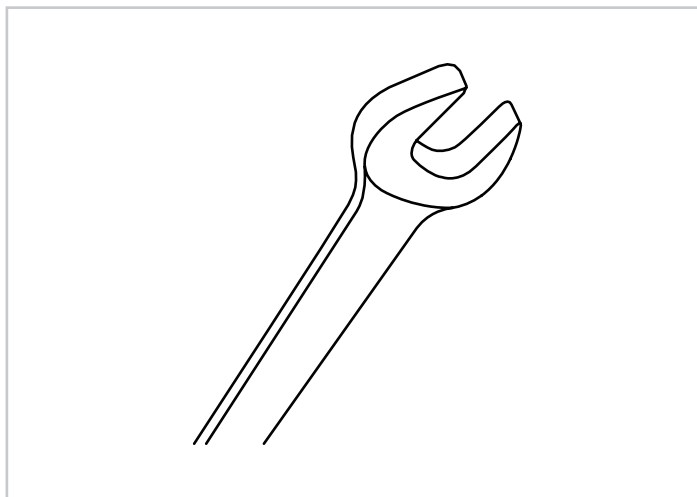
www.dirgroup.co.uk

ASSEMBLY INSTRUCTIONS

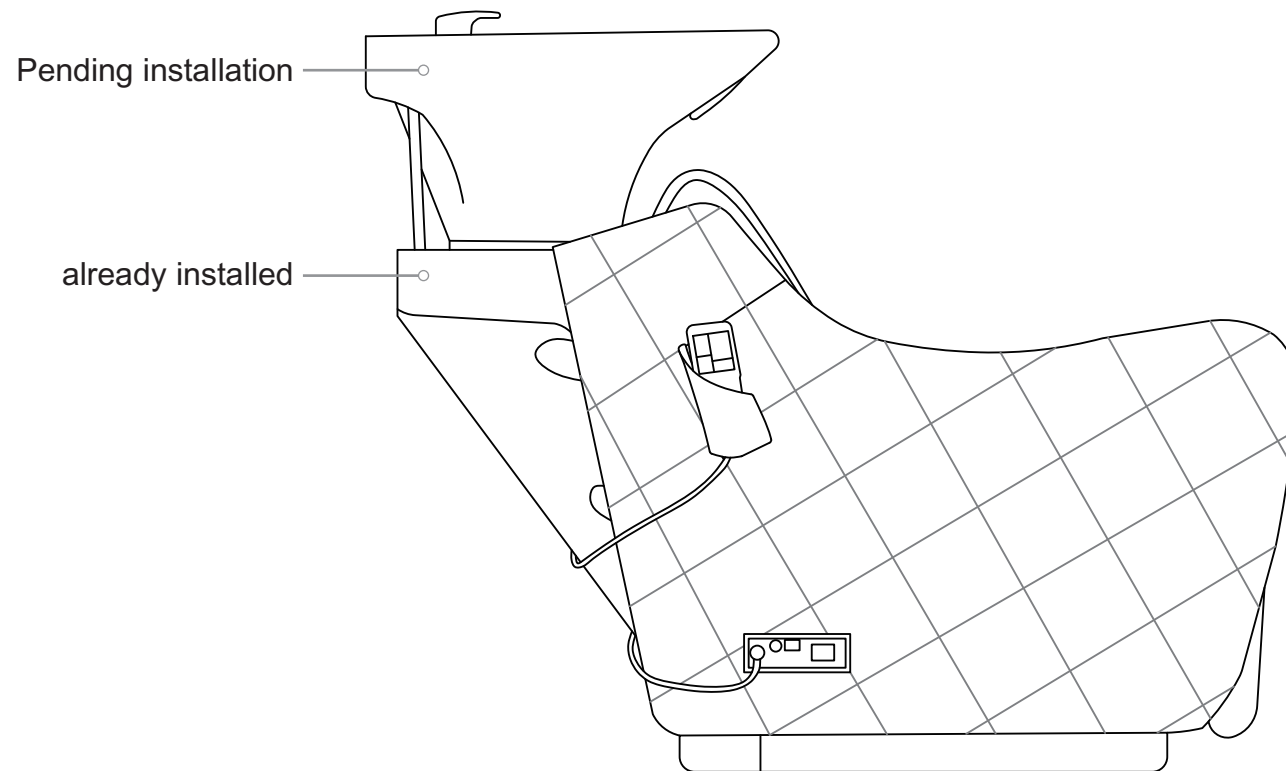


ASSEMBLY INSTRUCTIONS

Tools Necessary

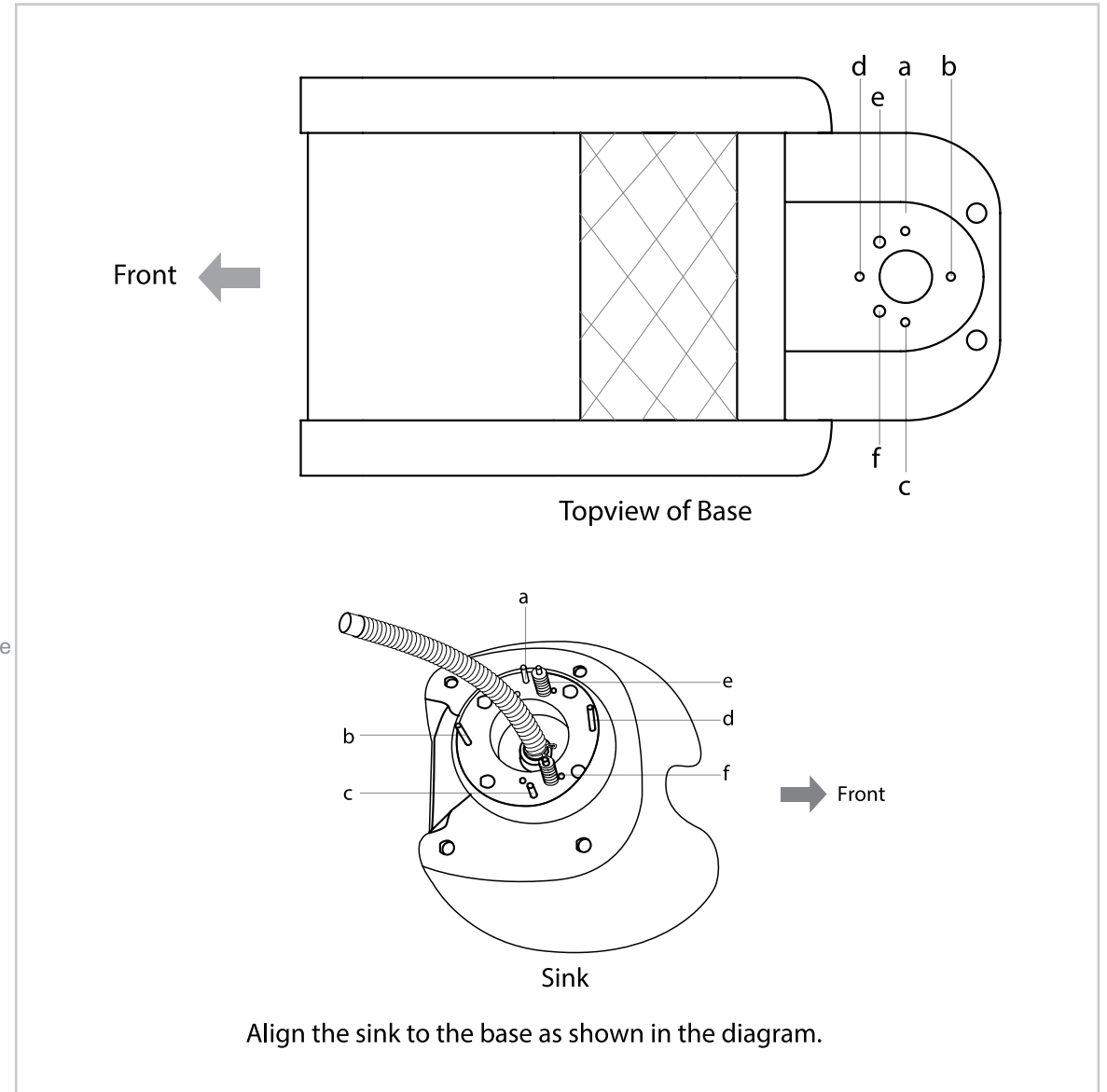
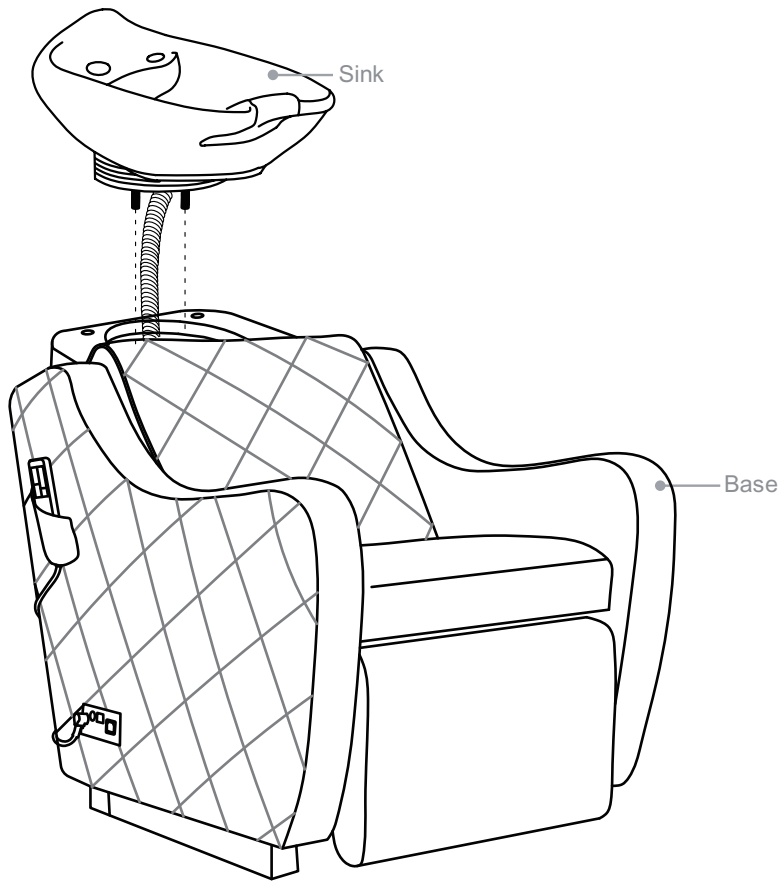


14mm Spanner (included)



ASSEMBLY INSTRUCTIONS

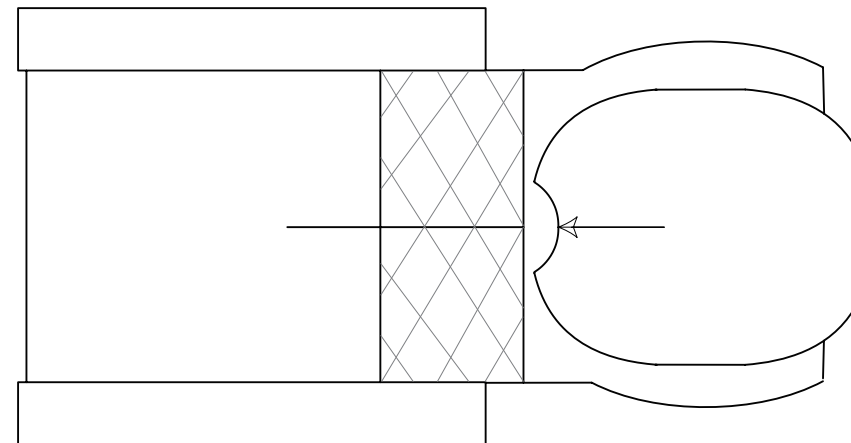
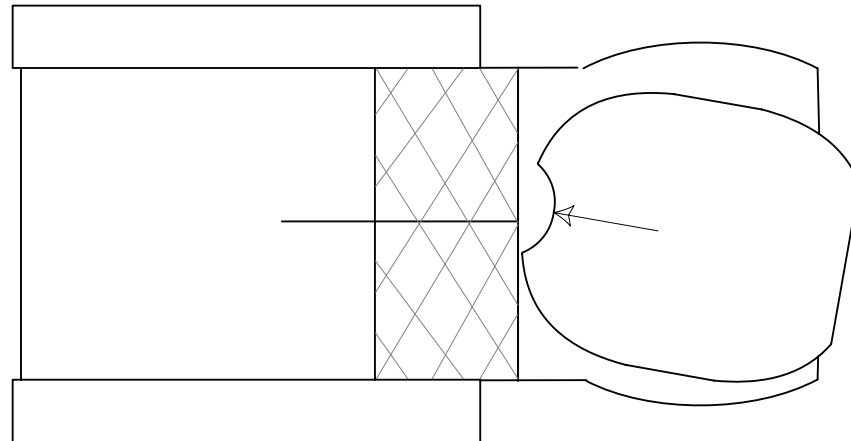
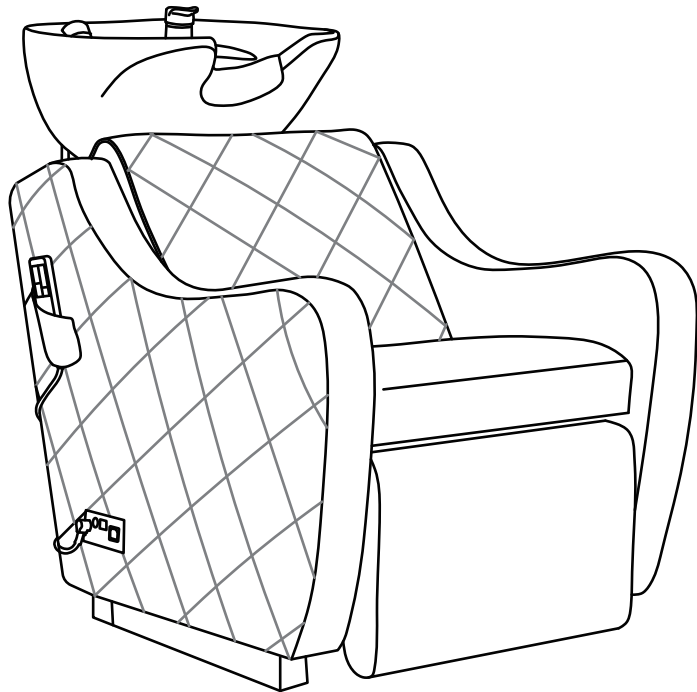
Sink Assembly Instruction



DIR

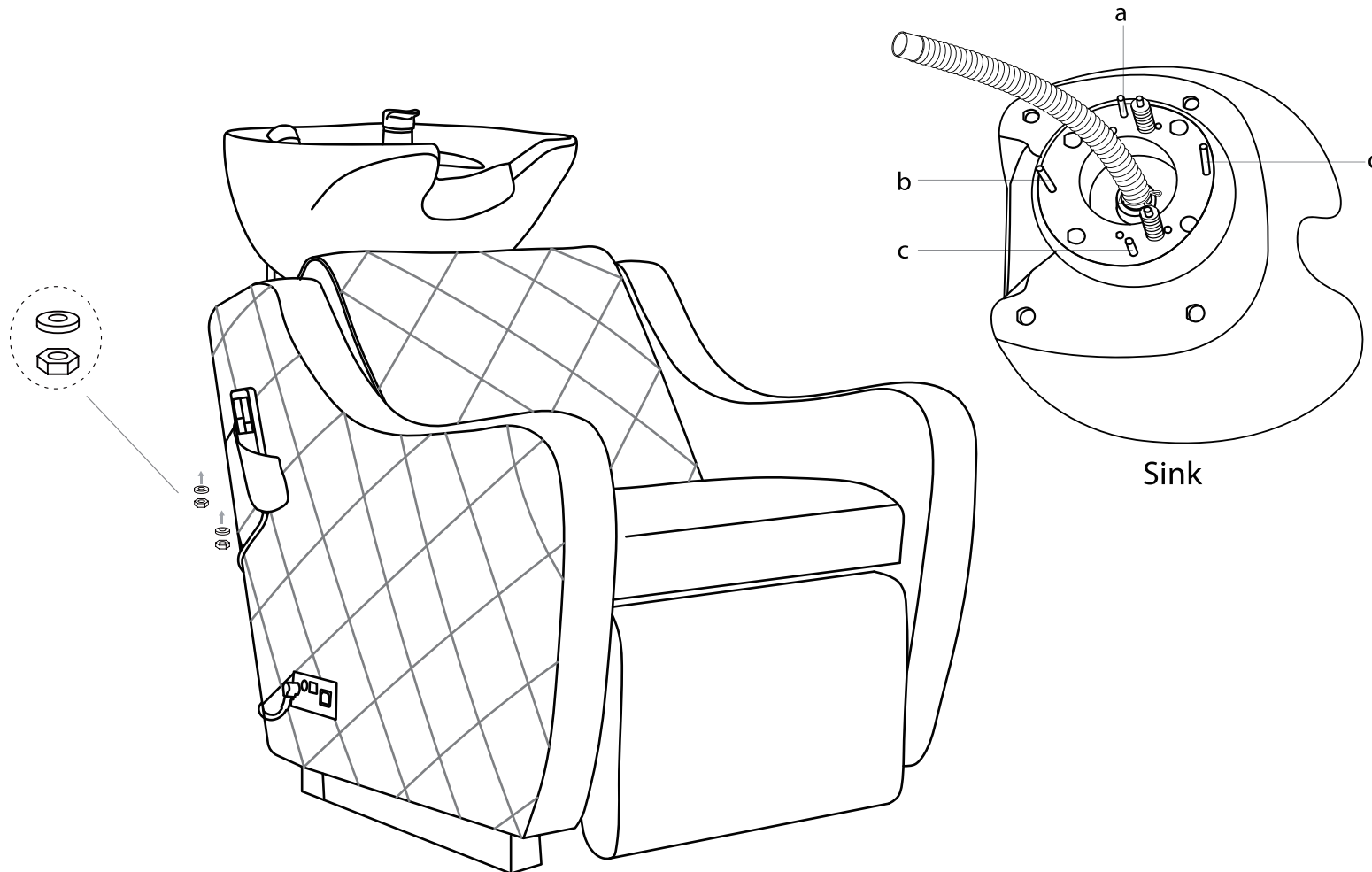
www.dirgroup.co.uk

ASSEMBLY INSTRUCTIONS



ASSEMBLY INSTRUCTIONS

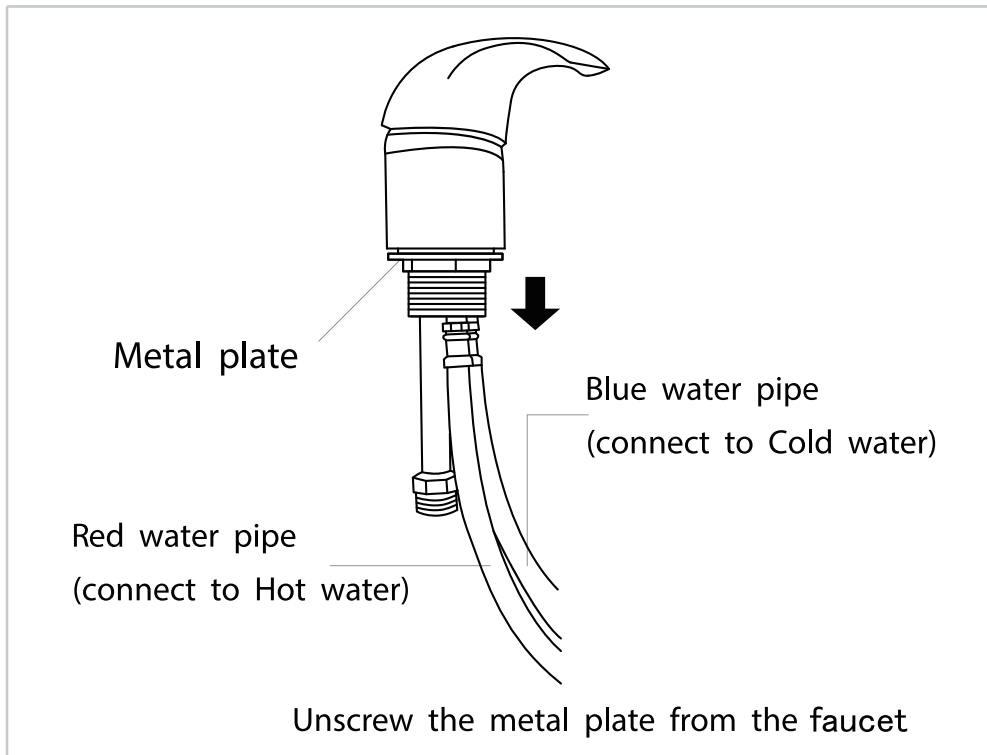
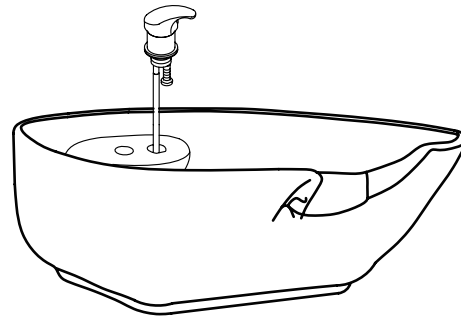
Sink Assembly Instruction



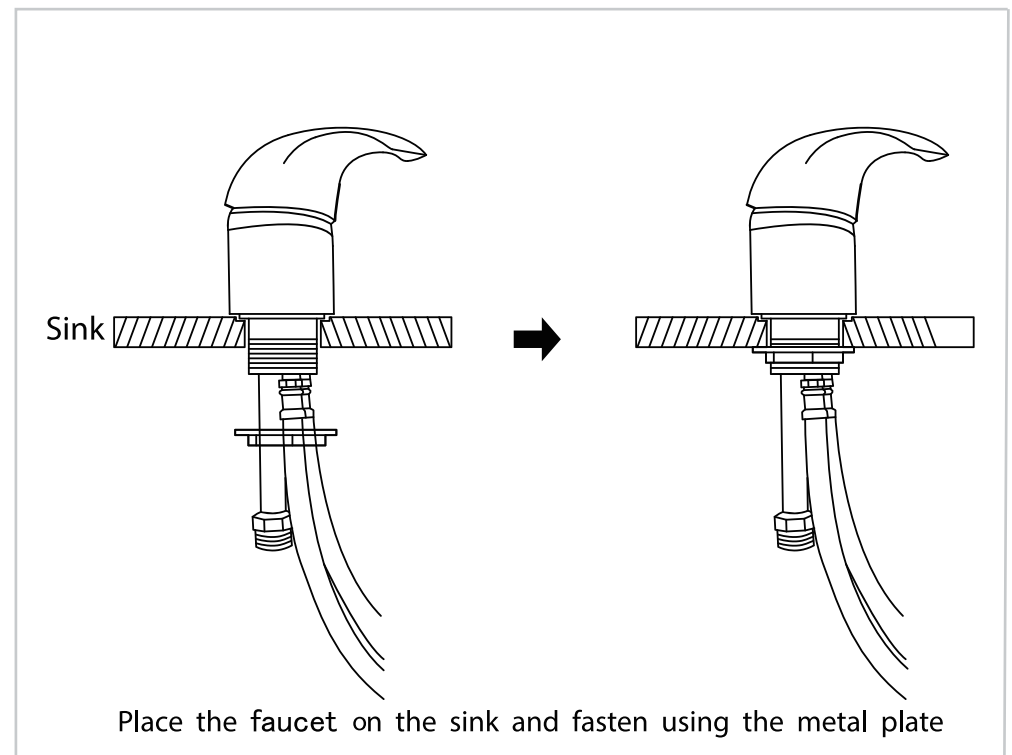
Undo the access panel by twisting clockwise then using the 4* 14mm washers & gaskets provided fasten the sink to the base.

ASSEMBLY INSTRUCTIONS

Faucet Assembly Instruction



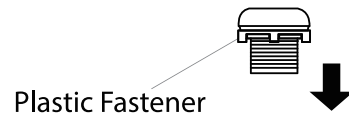
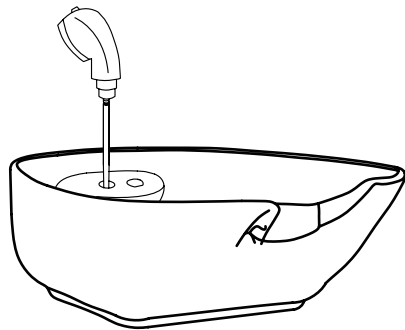
STEP 1



STEP 2

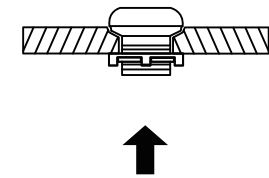
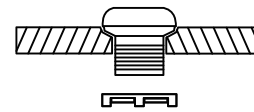
ASSEMBLY INSTRUCTIONS

Sprayerhead Assembly Instruction



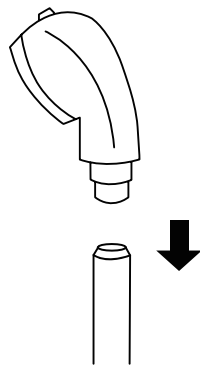
Unscrew the fastener from the sprayerhead holder.

STEP 1



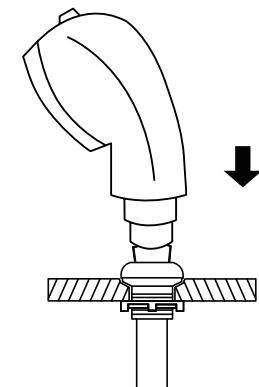
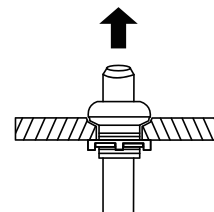
Fasten the sprayerhead holder to the sink with the plastic fastener.

STEP 2



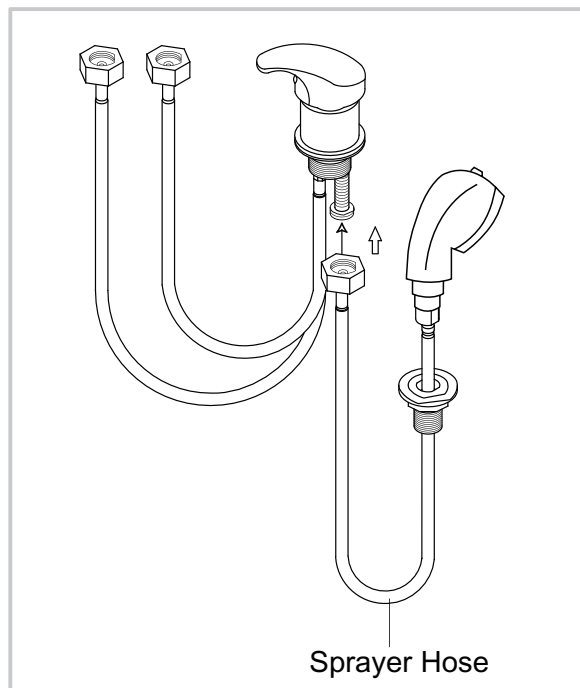
Unscrew the sprayerhead from the sprayer hose.

STEP 3

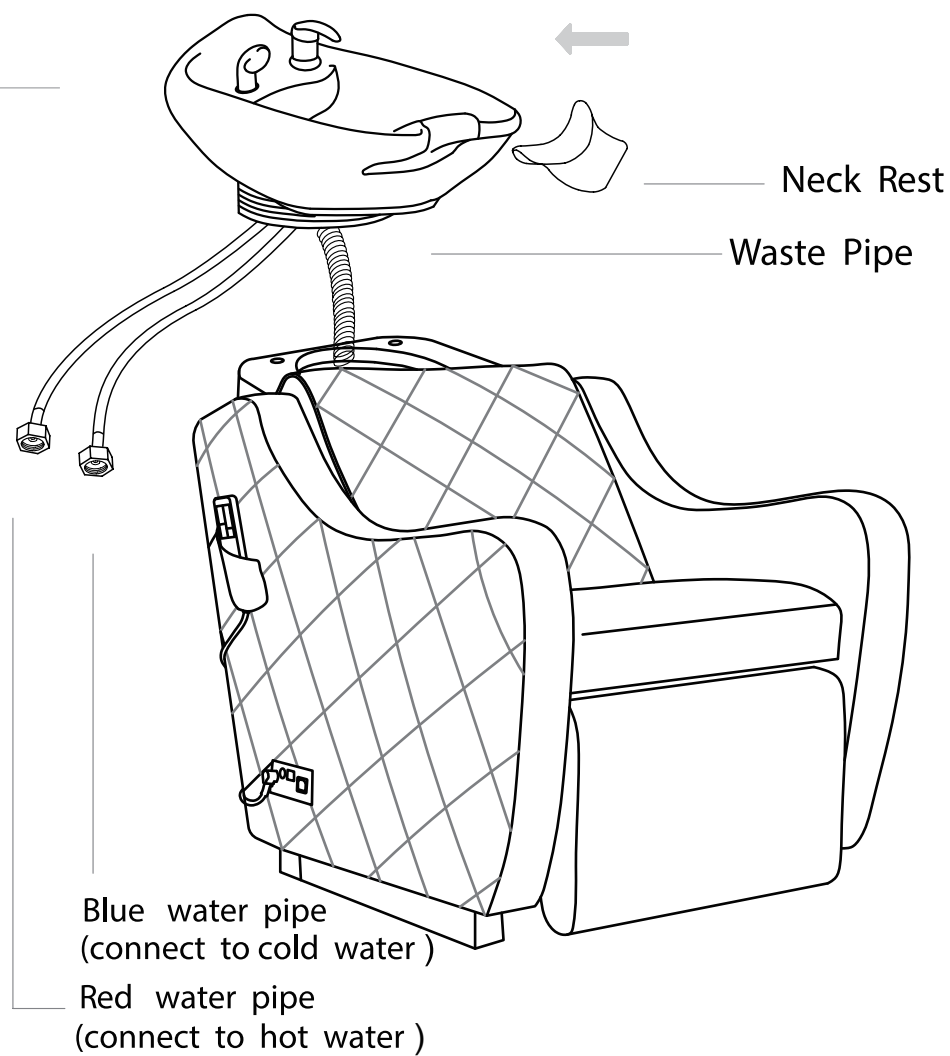


Place the sprayer hose from underneath through the sprayerhead holder and fasten the sprayerhead to the sprayer hose.

STEP 4

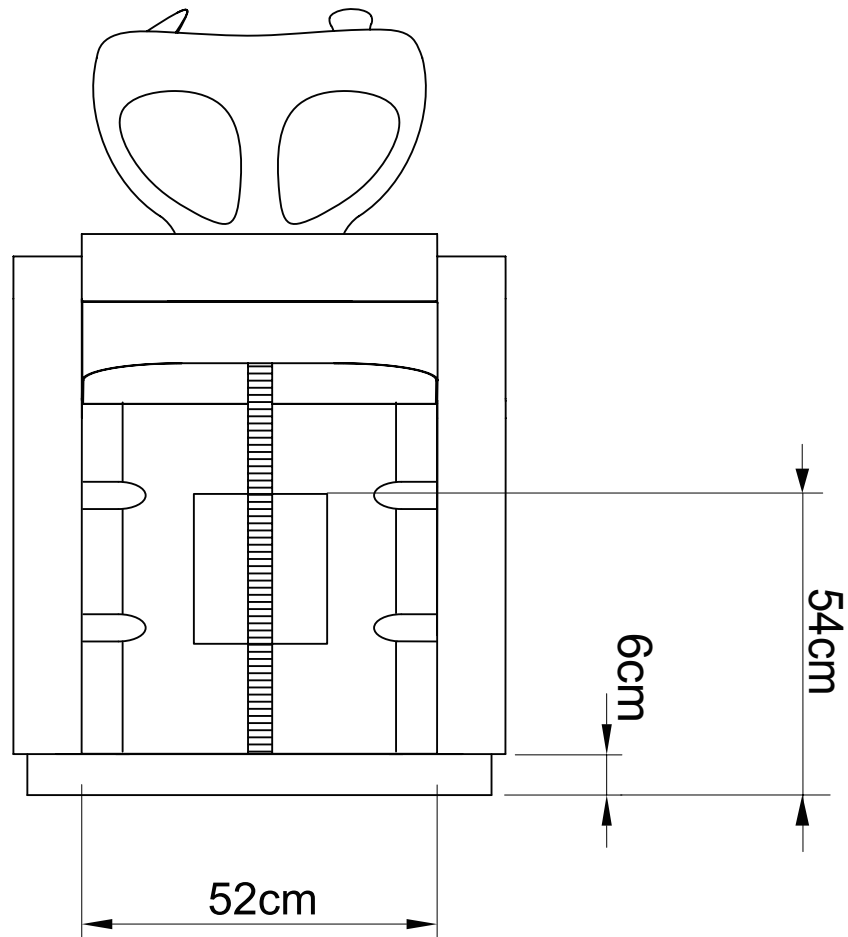


Connect to sprayer hose to the tap shown in the diagram.

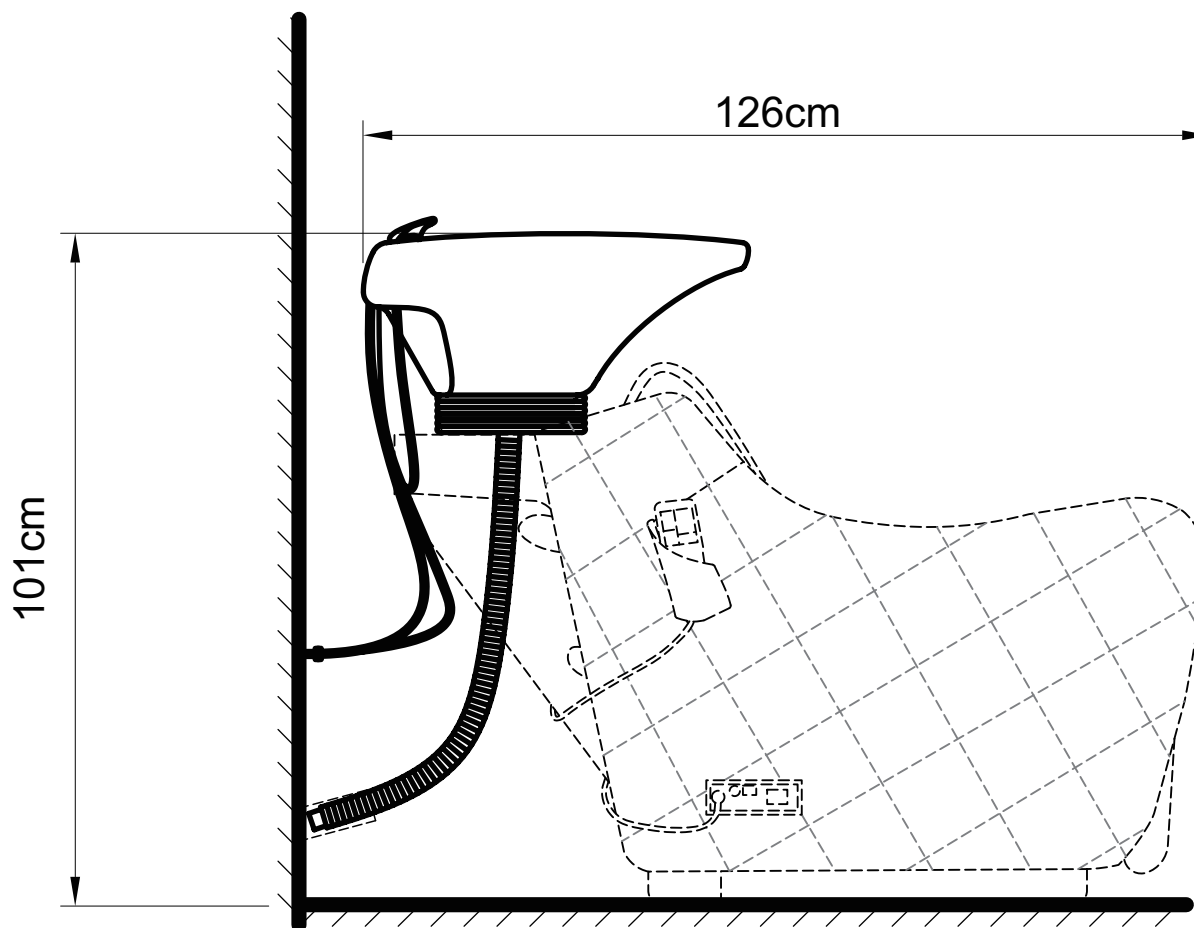


PLUMBING INSTRUCTIONS

Plumbing setup:
*removable back panel to route both
water supply lines and make all connections.



Wall plumbing setup:
Circle opening on removable back for drain pipe exit



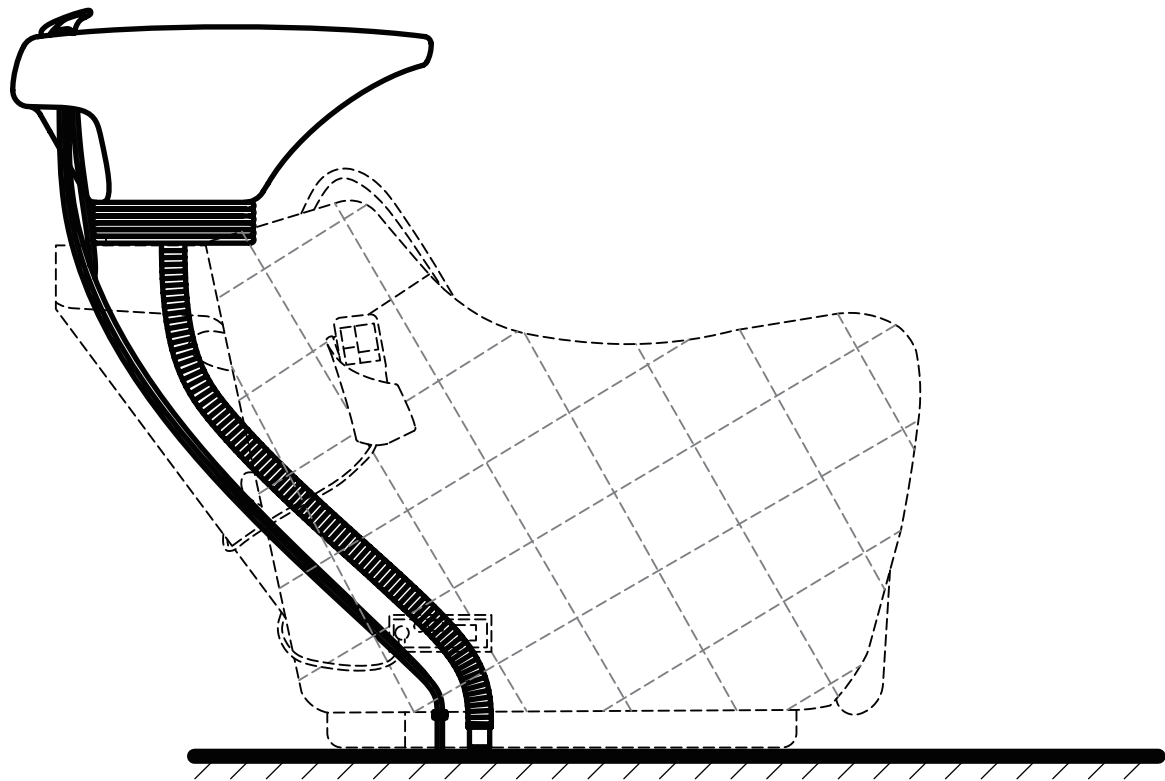
PLUMBING INSTRUCTIONS

Floor Plumbing

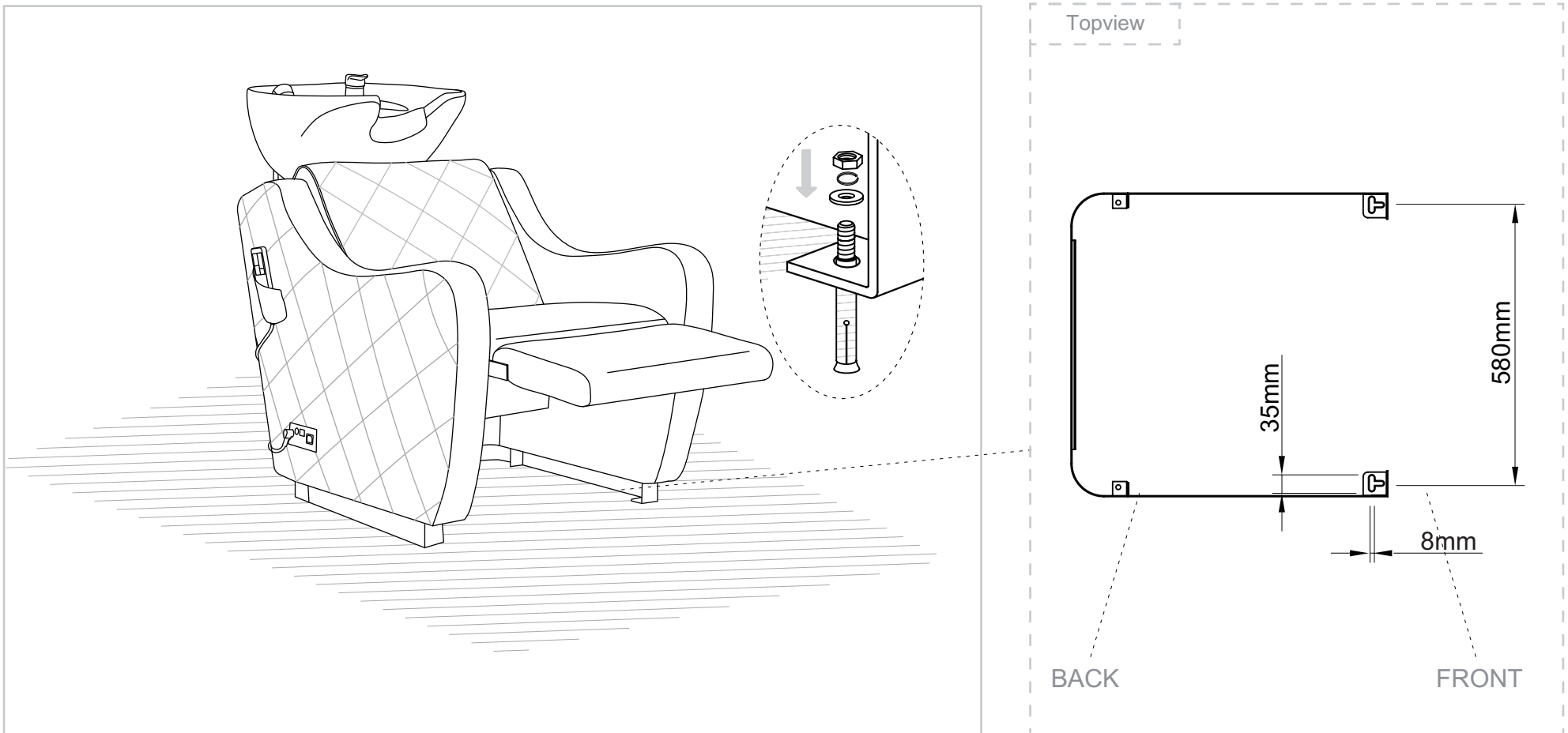
Floor plumbing setup:

All connection pipes are enclosed within the base unit.

Water supply lines are routed into the unit via circle opening on the back of the base.

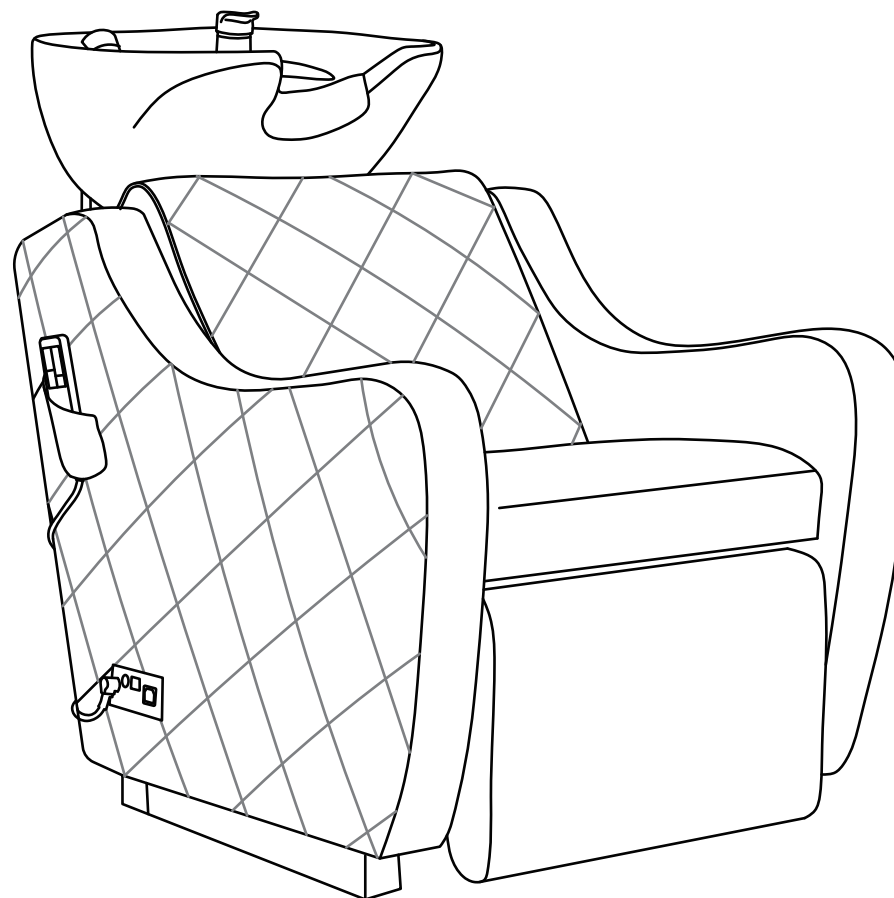


Secure the backwash on the floor by the provided floor anchors.

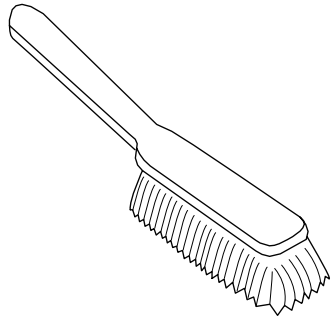


ASSEMBLY COMPLETE

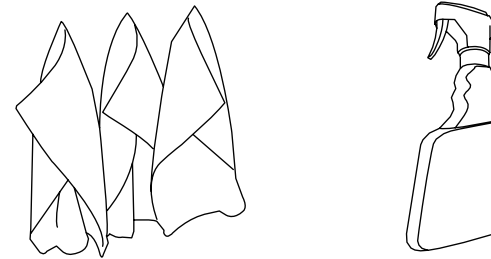
DIR
www.dirgroup.co.uk



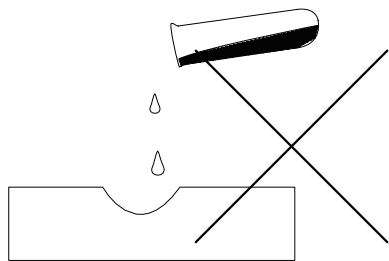
AFTERCARE INSTRUCTIONS



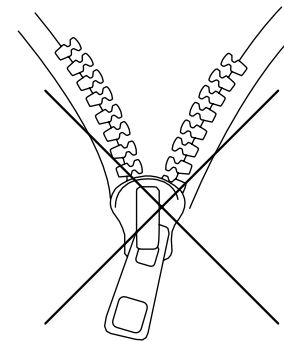
Brush away excess hair



Wipe clean with a cloth dampened in a mild leather cleaner or wipe dry with a clean cloth



Avoid the use of abrasives, bleaches or solvents



Never remove and wash leather covers

After an initial period of use, check all fastenings for any loosened screws etc. If found, please tightened appropriately

DIR BIRMINGHAM (HEADQUARTERS)

66 Rea Street South
Birmingham
B5 6LB
UK
Sales: +44(0)800 085 3667
Customer Service: +44(0)121 6433877
Fax: +44(0)121 6333291
Email: sales@dirgroup.co.uk
Website: www.dirgroup.co.uk

DIR LONDON

Unit 1 River Road Business Park
33 River Road, Barking
Greater London IG11 0DA
UK
Sales: +44(0)20 8591 9310
Fax: +44(0)20 8594 4147
Email: sales.london@dirgroup.co.uk
Website: www.dirgroup.co.uk

DIR NEW YORK

24 Woodward Ave.
Suite C
Queens, NY 11385
USA
Sales: +1 (718)628-6668
+1 (800)728-2008
Fax: +1 855-628-5168
Email: sales@dirsalonfurniture.com
Website: www.dirsalonfurniture.com

DIR COLOGNE

Konrad-Adenauer-Straße 25
50996 Köln
Germany
Sales: + 49 (0) 221 / 88888.128
Fax: + 49 (0) 221 / 88888.122
Email: sales@dirgroup.de
Website: www.dirgroup.de

DIR IRELAND

Unit 5 Block E
Riverview Business Park
Nangor Road
Dublin 12
Republic of Ireland
Sales: +353 (01) 429 7969
Email: sales.ireland@dirgroup.ie
Website: www.dirgroup.ie

FOLLOW US



DIRSalon



DIRSalon

If you have any enquires regarding the product warranty, please contact our customer services team.

www.dirgroup.co.uk