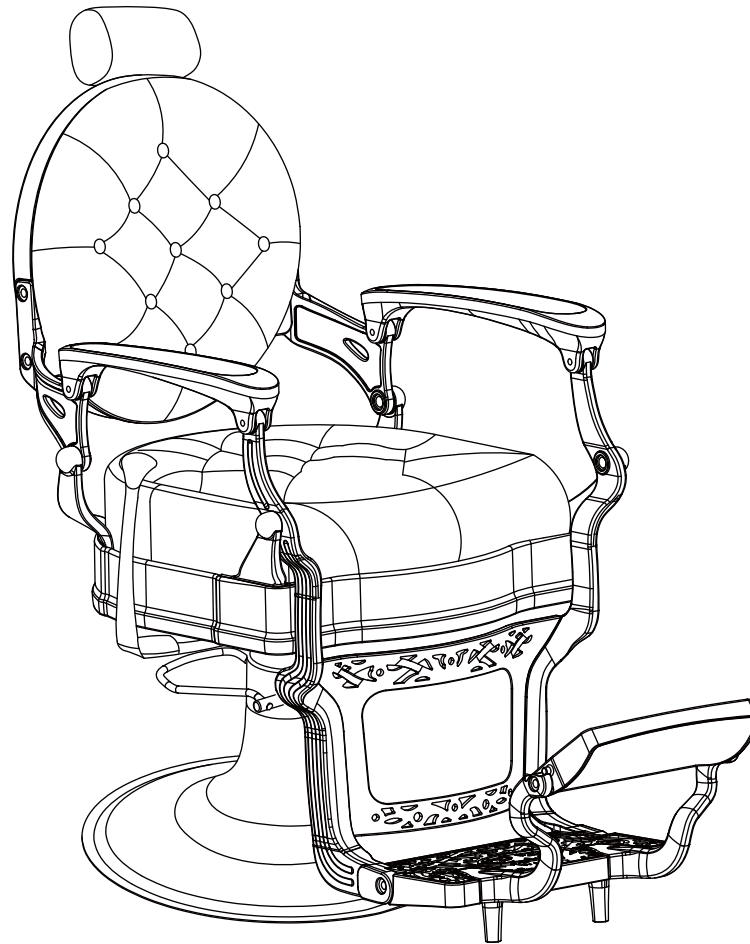


# DIR<sup>®</sup>

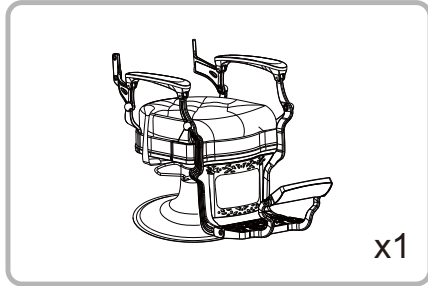
# VANQUISH/KAISER

2111/2811

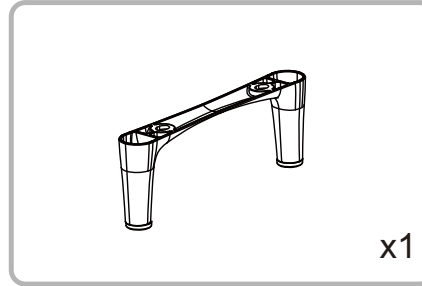
INSTRUCTION MANUAL



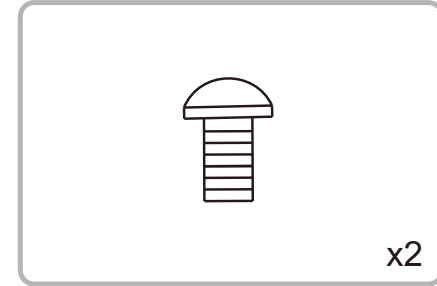
# List of Parts & Tools



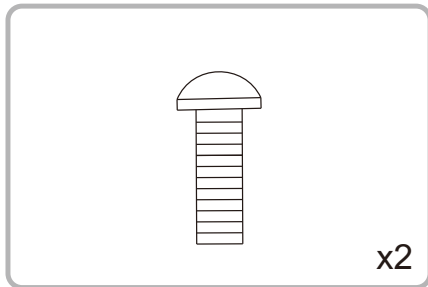
101001



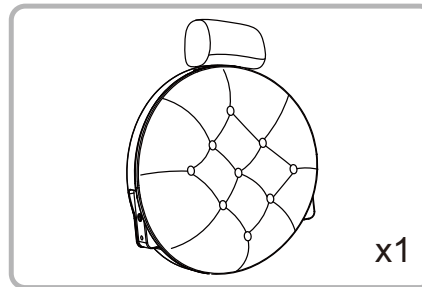
101002



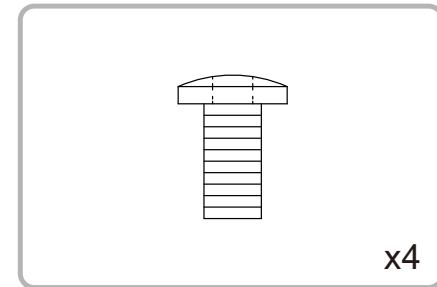
101003



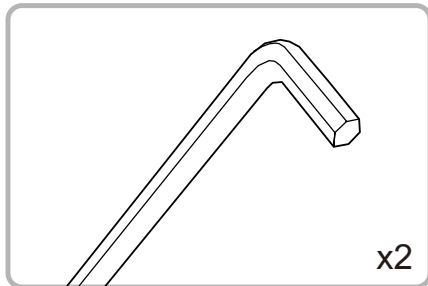
101004



101005

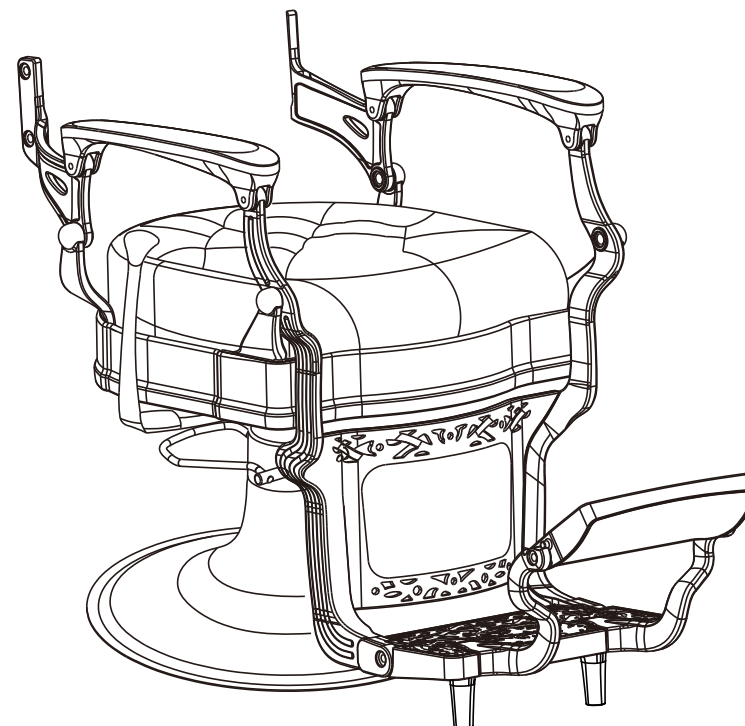
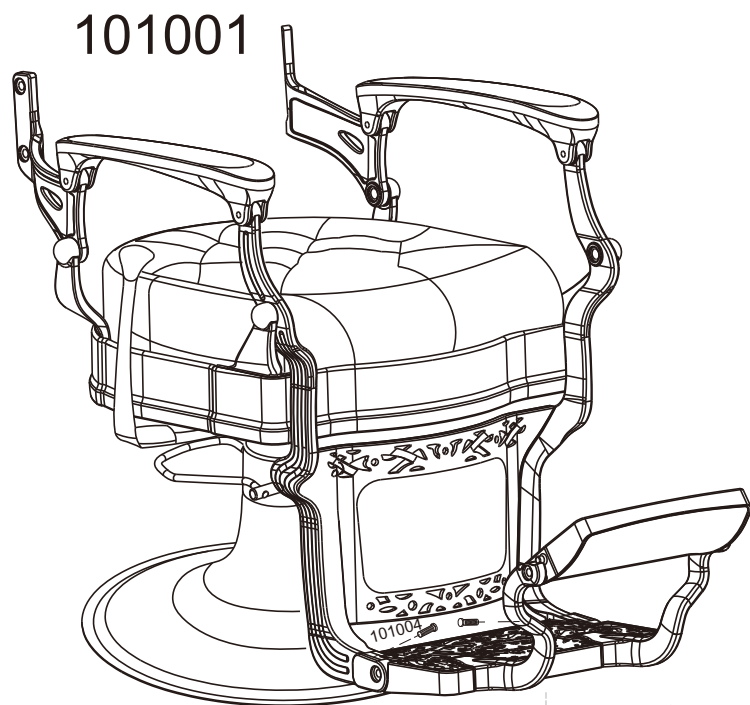


101006

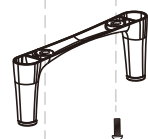


101007

Step 1



101002

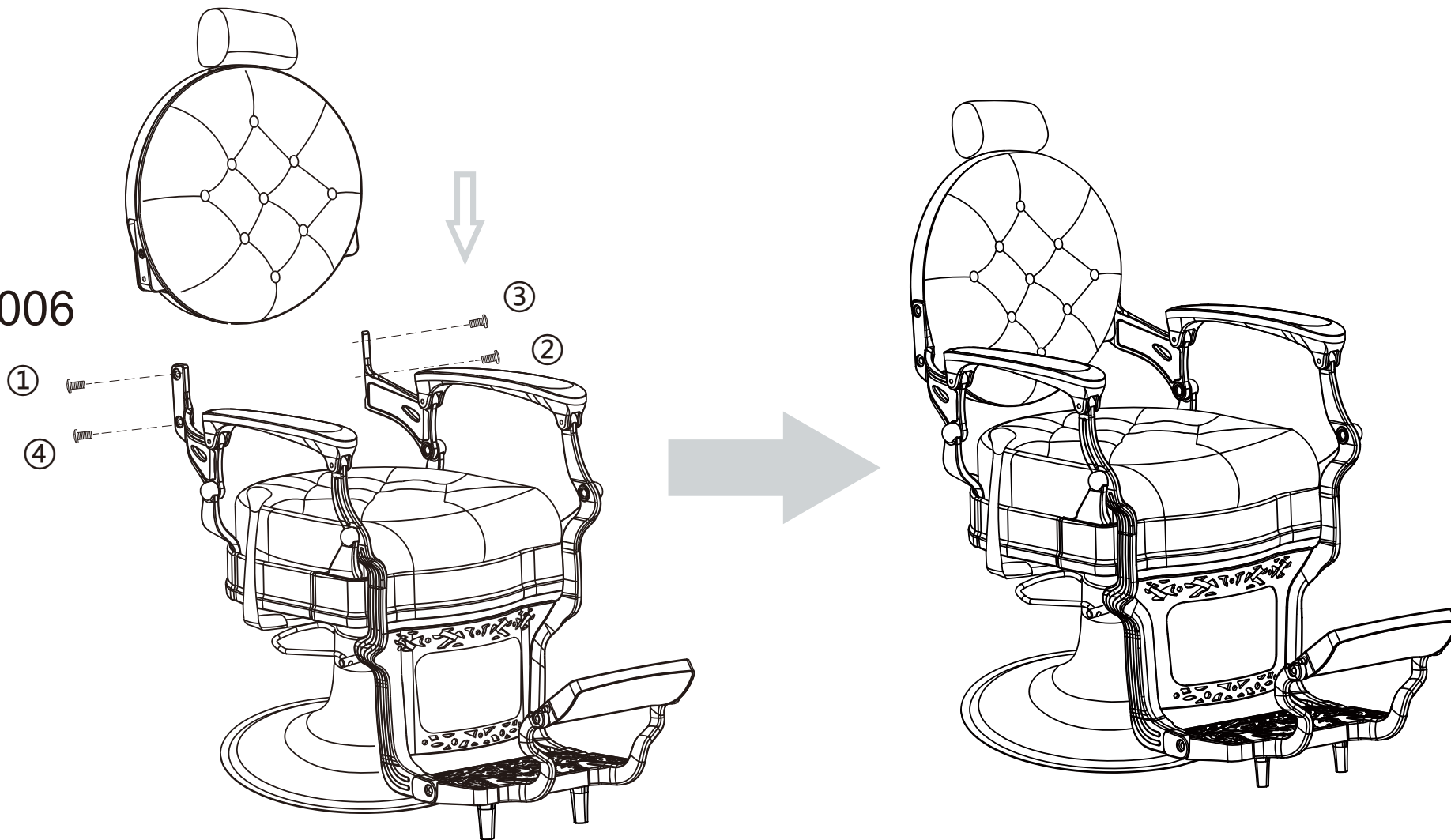


101003



101005

101006

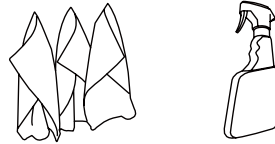


First tighten 1 to 4. Do not tighten them all at once.  
Wait until all 4 screws are aligned before tightening the 4 screws

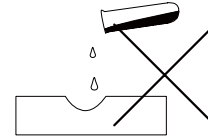
## Product care



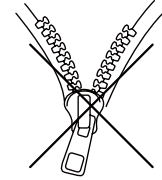
Brush away excess hair



Clean surface with damp cloth or use simple soap & water solution.



Avoid using corrosive cleaning agents such as bleaches.



Do not remove upholstery for cleaning

## Warranty

The warranty period is one year. DIR warrants to you, the original buyer, that goods shall be free of defects in material and/or workmanship attributable to manufacture for one year from date of receipt of product. Damage resulting from improper handling after merchandise is received, or from exposure to weather or extreme atmospheric conditions is not covered by the warranty. For any other information please contact our support team:

### DIR Birmingham

66 Rea Street South  
Birmingham  
B5 6LB

Email: [sales@dirstore.co.uk](mailto:sales@dirstore.co.uk)  
Phone: +44 (0) 121 6434777

### DIR London

Unit 1 River Road Business Park,  
33 River Road, Barking,  
Greater London, 1G11 0DA

Email: [london@dirstore.co.uk](mailto:london@dirstore.co.uk)  
Phone: +44 (0) 20 8591 9310

### DIR New York

575 Underhill Blvd Suite #170  
Syosset, NY 11791, USA

Email: [sales@dirsalonfurniture.com](mailto:sales@dirsalonfurniture.com)  
Phone: +1 (718) 628 6668  
+1 (800) 728 2008  
Fax: +1 (855) 628 5168