

# Langara

4104

INSTRUCTION MANUAL



EN

# CONTENTS

Product Introduction	3
Warranty	4
Assembly Instructions	5
_List of Parts	5
_Tools Necessary	6
_Instructions	7
Aftercare Instructions	9
Contact Us	10

Please read the operation manual before using the product.

Please put the operation manual in the place easy for you to read and you can read it at any time.

Product Name: Langara

Product Code: 4104

Simplicity is the key to designing a sleek and modern Reception Area, Dir Reception Desk will Langara be the focal point of the design. Multi-colored LED light along with aluminum accents is sure to impress people as they enter.

# WARRANTY

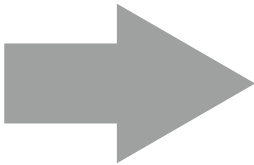
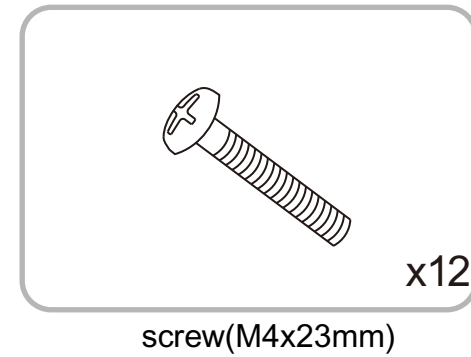
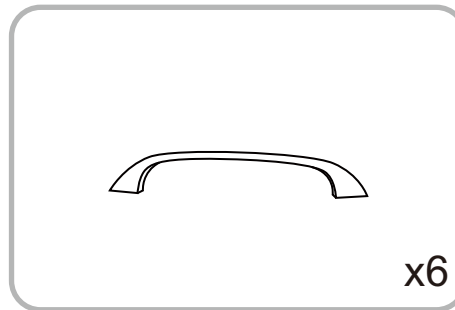
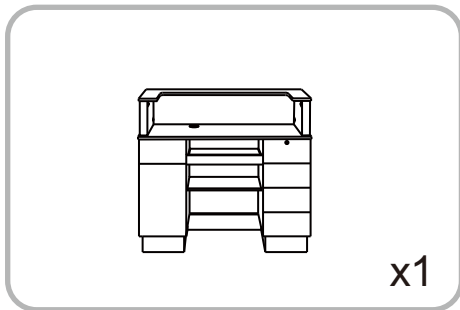
The warranty period is one year. DIR warrants to you, the original buyer, that goods shall be free of defects in material and/or workmanship attributable to manufacture for one year from date of buyer's receipt of product. Damage resulting from improper handling after merchandise is received, or from exposure to weather or extreme atmospheric conditions is not covered by the warranty.

For any other information please contact our support team:

DIR BIRMINGHAM	DIR LONDON	DIR NEW YORK	DIR COLOGNE	DIR IRELAND
66 Rea Street South Birmingham B5 6LR UK ----- Tel: +44(0)121 6433877 ----- Email: sales@dirgroup.co.uk	Unit 1 River Road Business Park 33 River Road, Barking Greater London IG11 0DA UK ----- Tel: +44(0)20 8591 9310 ----- Email: sales.london@dirgroup.co.uk	24 Woodward Ave. Suite C Queens, NY 11385 USA ----- Tel: +1 (718)628-6668 +1 (800)728-2008 ----- Email: sales@dirsalonfurniture.com	Konrad-Adenauer-Straße 25 50996 Köln Germany ----- Tel: + 49 (0) 221/88888.128 ----- Email: sales@dirgroup.de	Unit 5 Block E, Riverview Business Park, Nangor Road, Dublin 12 Republic of Ireland ----- Tel: +353 (01) 429 7969 ----- Email: sales.ireland@dirgroup.ie

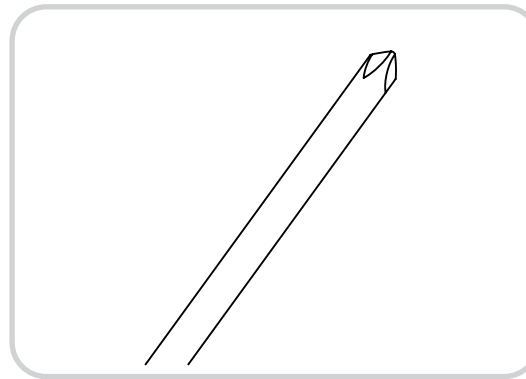
## ASSEMBLY INSTRUCTIONS

### List of Parts



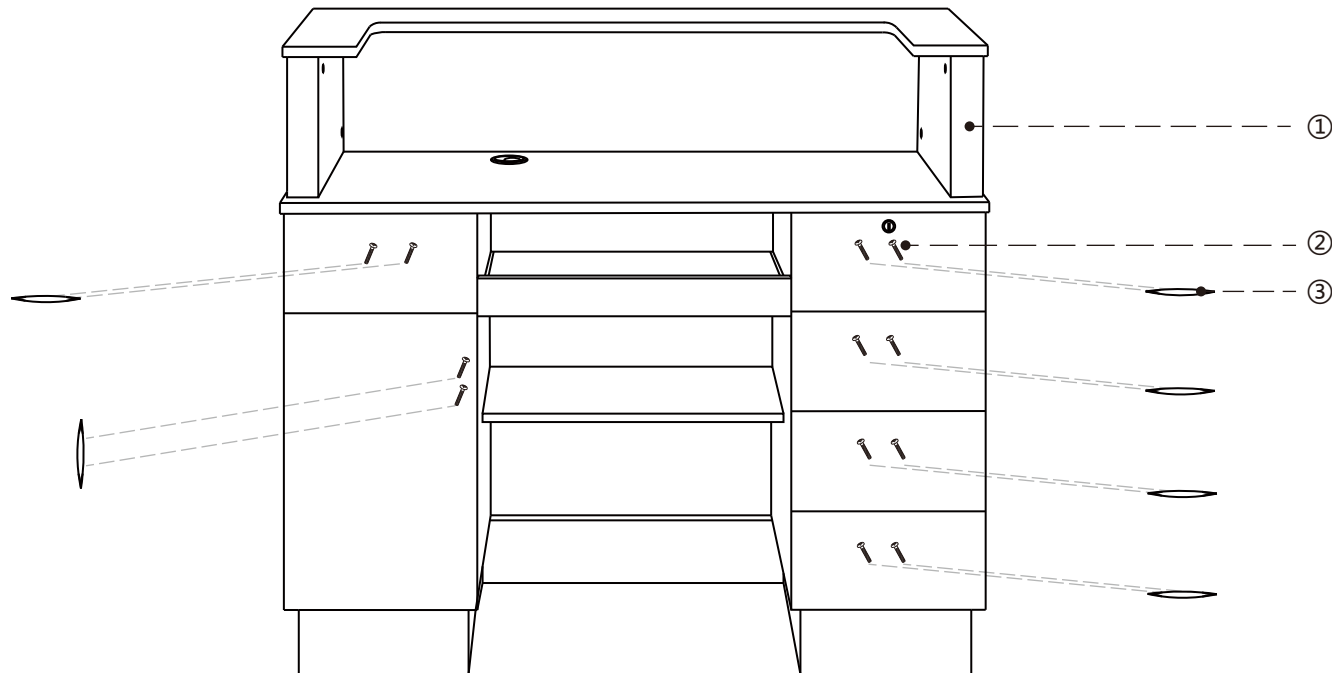
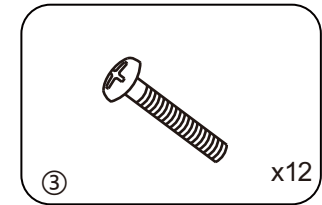
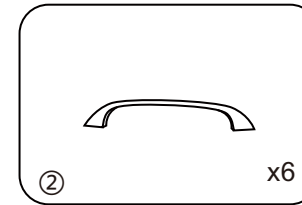
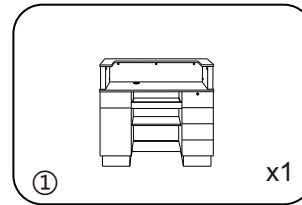
# ASSEMBLY INSTRUCTIONS

## Tools Necessary

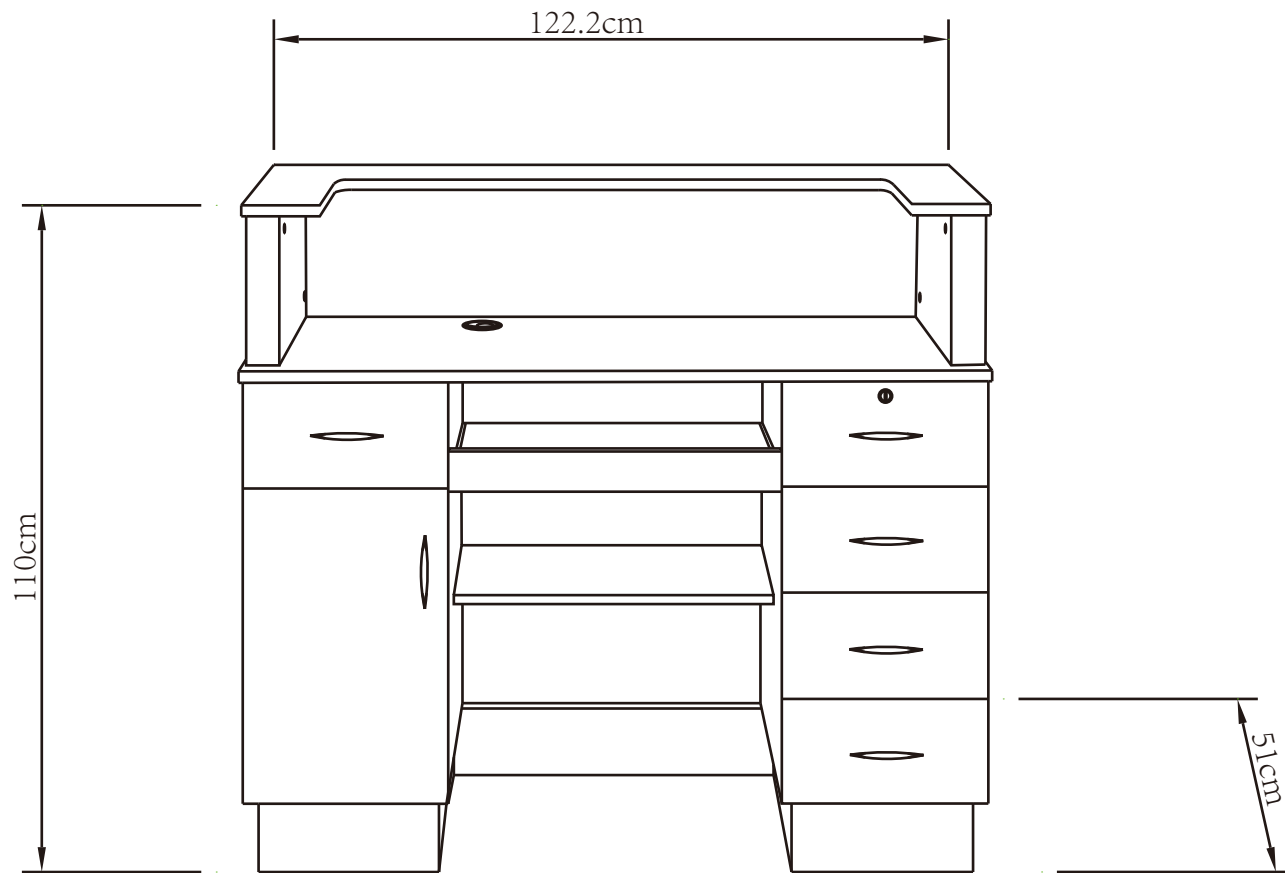


Cross Screwdriver (excluded)

## ASSEMBLY INSTRUCTIONS

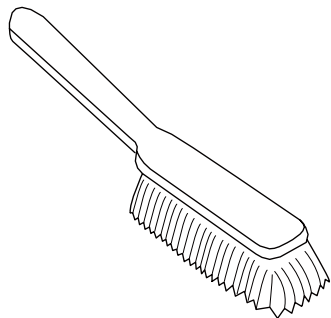


# ASSEMBLY INSTRUCTIONS

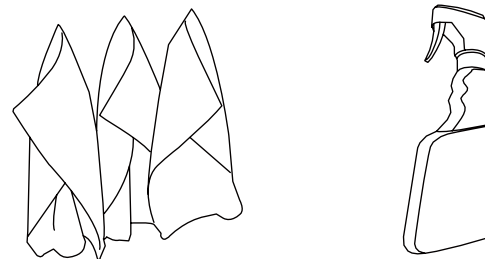




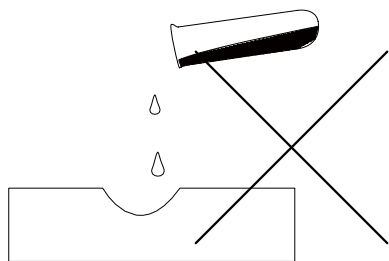
## AFTERCARE INSTRUCTIONS



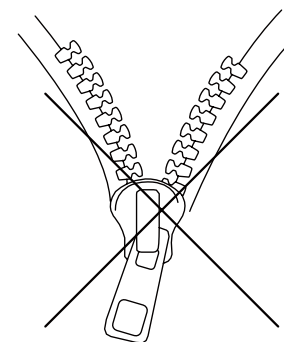
Brush away excess hair



Wipe clean with a cloth dampened in a mild leather cleaner or wipe dry with a clean cloth



Avoid the use of abrasives, bleaches or solvents



Never remove and wash leather covers

After an initial period of use, check all fastenings for any loosened screws etc. If found, please tightened appropriately

## CONTACT US

### DIR BIRMINGHAM (HEADQUATERS)

66 Rea Street South  
Birmingham  
B5 6LR  
UK  
Sales: +44(0)800 085 3667  
Customer Service: +44(0)121 6433877  
Fax: +44(0)121 6333291  
Email: sales@dirgroup.co.uk  
Website: www.dirgroup.co.uk

### DIR LONDON

Unit 1 River Road Business Park  
33 River Road, Barking  
Greater London IG11 0DA  
UK  
Sales: +44(0)20 8591 9310  
Fax: +44(0)20 8594 4147  
Email: sales.london@dirgroup.co.uk  
Website: www.dirgroup.co.uk

### DIR NEW YORK

24 Woodward Ave.  
Suite C  
Queens, NY 11385  
USA  
Sales: +1 (718)628-6668  
+1 (800)728-2008  
Fax: +1 855-628-5168  
Email: sales@dirstalonfurniture.com  
Website: www.dirstalonfurniture.com

### DIR COLOGNE

Konrad-Adenauer-Straße 25  
50996 Köln  
Germany  
Sales: + 49 (0) 221 / 88888.128  
Fax: + 49 (0) 221 / 88888.122  
Email: sales@dirgroup.de  
Website: www.dirgroup.de

### DIR IRELAND

Unit 5 Block E  
Riverview Business Park  
Nangor Road  
Dublin 12  
Republic of Ireland  
Sales: +353 (01) 429 7969  
Email: sales.ireland@dirgroup.ie  
Website: www.dirgroup.ie

### FOLLOW US



If you have any enquires regarding the product warranty, please contact our customer services team.

**[www.dirgroup.co.uk](http://www.dirgroup.co.uk)**