

# MAESTRO® PEDICURE SPA

## Specifications

**Overall Dimensions:** 70.4" L (179 cm) x 36.2" W (92 cm) x 55" H (140 cm) – Refer to Installation Drawings for additional details.

**Dimensions Seat to Floor:** 25" (64 cm)

**Shipping Dimensions (Carton Size):** 84" L (214 cm) x 40" W (102 cm) x 61" H (155 cm) – The Maestro ships fully assembled.

**Shipping Weight:** 375 lbs. (190 kg)

**Net Weight:** 310 lbs. (141 kg)

**Client Weight Capacity:** 300 lbs. (136 kg)

**Basin Capacity:** 5.9 US Gallons (22.3 liters)

**Power Requirements:** 120V AC, 20 Amp, 60HZ. A separate and dedicated 20 Amp GFCI protected circuit **MUST** be used for each foot spa.

**Construction:** Welded steel frame with veneered wood panels or Formica® laminate; completely sealed to prevent delamination. ABS cover panels.

**Basin:** Solid surface, pre-plumbed.

**Jet System:** Two (2) standard NoPipe™ Jets; removable screen and impeller, no recirculation pipes. I-Fill® System (automatically fills and shuts-off) is standard.

**IMPORTANT: Your Pedicure Chair MUST be Installed by a Licensed Electrician and a Licensed Plumber in Accordance with all National, State and Local Codes/Regulations.**

### **PLUMBING:**

**Incoming:** Hot/Cold supply lines required (1/2" ID) solenoid controlled, built-in fill sensor. Connections located on back of spa base or as specified otherwise.

**Sprayer/Filler:** Inline back-flow prevention is provided.

**Discharge:** Gravity drain or optional factory install drain pump. If factory installed drain pump is utilized, built-in back-flow prevention is provided. Two drain pump sizes available: Standard = 8'Head, High Capacity (optional) = 16'Head

**MASSAGE:** Rolling and kneading massage, full-back, upper-back or lower-back.

**CHAIR CONTROLS:** Technician's keypad: Seat Forward/Backward, Tilt and Exit. Electronically controlled, low voltage.

**ARMCHAIR:** Left Side: Seat Forward/Backward, Tilt and Exit. Electronically controlled, low voltage.

Right Side: Handheld Massage Control Wand.

Chair Release Lever: Manual operation, locks and unlocks chair to allow swivel.

Certification: Underwriters Laboratories Listed  Compliance Listings to the following Standards: UL 1951, CAN/CSA C22.2 No. 68-92, ANSI/ASME A112.18.3M, A112.19.7M, A112.18.1, CSA B125.1.2005

Compliant with IAPMO Plumbing Standards. Fixtures and hoses are UPC compliant.

**LIMITED WARRANTY:** Please refer to **Limited Warranty** in Owner's Manual. Visit our website and MyContinuumPedicure.com.

### **ACCESSORIES:**

**Deluxe Tech Chair:** Base: 19" diameter (48 cm) Height range (excluding cushion): 12" to 15" (30.5 cm to 38 cm)

Net weight: 15 lbs. (7 kg)

**Shipping Dimensions:** 26" W (66 cm) x 26" L (66 cm) x 12" H (31 cm) Shipping Weight: 23 lbs. (11 kg)

**Standard Tech Chair:** Base: 18" diameter (46 cm) Height range (including cushion): 12" to 18" (30.5 cm to 38 cm)

Net weight: 13 lbs. (6 kg)

**Shipping Dimensions:** 22" W (56 cm) x 30" L (76 cm) x 10" H (25 cm) Shipping Weight: 15 lbs. (7 kg)

**Accessory Cart:** 16" L (40.6 cm) x 13" W (33 cm) x 17" H (43 cm)-Height is from floor to working surface. Net Weight: 28 lbs. (12.5 kg)

**Shipping Dimensions:** 21" W (53 cm) x 19" L (48 cm) x 23" H (58 cm) Shipping Weight: 37 lbs. (16.5 kg)

**Note:** Due to continuous improvements, all specifications are subject to change without notice. All dimensions and weights are approximate.

# INSTALLATION AND ROUGH-IN INFORMATION

**IMPORTANT - This sheet MUST accompany Installation Drawings**

**IMPORTANT: All Pedicure Chairs MUST be Installed by a Licensed Electrician and a Licensed Plumber in Accordance with all National, State and Local Codes/Regulations.**

## **IMPORTANT: Special Installation Requirements Pertaining to the State of Wisconsin**

### **Gravity Drain**

Pedicure chairs installed in this manner (Gravity Drain) MUST be treated like a bathtub installation and connect directly to the fixture trap most likely below the floor. Approved couplings (i.e. Fernco or Clamp All) may be utilized.

### **Pump Discharge**

The pump discharge MUST terminate into an approved receptor with an air break. An air gap is not required.

- Upper dimensions are in inches, lower dimensions [ ] are in centimeters.
- **DEPENDING ON THE USE OF MANICURE TRAYS AND/OR CARTS, THE EXACT DISTANCE BETWEEN PEDICURE CHAIRS WILL VARY GREATLY. THIS MUST BE DISCUSSED PRIOR TO ORDERING PEDICURE CHAIRS. THIS WILL ENSURE PROPER INSTALLATION AND ADEQUATE WORKING SPACE.** Please contact Continuum Footspas if additional information is required.
- **IMPORTANT! PLEASE DISCUSS FULL-CONCEALMENT SIDE PANELS WITH CUSTOMERS**  
Curved side panels are standard on all non-fiberglass models. These standard panels allow for an “open look” underneath the spa base, but only conceal plumbing and/or electrical in the front and back portion of the pedicure base. When it is necessary to conceal most if not all connections, optional full-concealment side panels must be specified.
- When determining distance between back edge of unit and finished wall, it should be noted chair does recline. To ensure chair does not touch back wall, please review “Installation Drawings” for suggested minimum clearances.
- Electrical Requirements: One (1) dedicated 15 amp, GFCI protected wall outlet/circuit per unit located within two (2) feet of back edge of pedicure chair. (Actual draw is 5 amps) Each pedicure chair will be supplied with a standard four (4) foot grounded power cord. If utilizing an in-floor electrical box, position box underneath pedicure unit towards back of base. Please contact Continuum Footspas if additional information is required.
- Water Supply: One (1) each 1/2” hot and cold water supply. Locate shut-offs on the wall behind pedicure chair. (Suggested range 4” to 12” apart on center, 4” to 8” A.F.F. Shut-offs may be roughed in through the floor. Please contact Continuum Footspas for additional information.
- **INSTALLATION OF OPTIONAL DRAIN PUMP MUST BE NOTED ON ORIGINAL CUSTOMER ORDER. DRAIN PUMP MUST BE FACTORY INSTALLED.** If drain pump is utilized, use 1” OD X ¾” ID discharge hose to connect unit to approved drain.

**CONTINUUM FOOTSPAS LIMITED WARRANTY IS NULL AND VOID IF PEDICURE CHAIR IS NOT PROPERLY SECURED TO FINISHED FLOOR**

## **ADDITIONAL INFORMATION REGARDING GRAVITY DRAIN INSTALLATIONS**

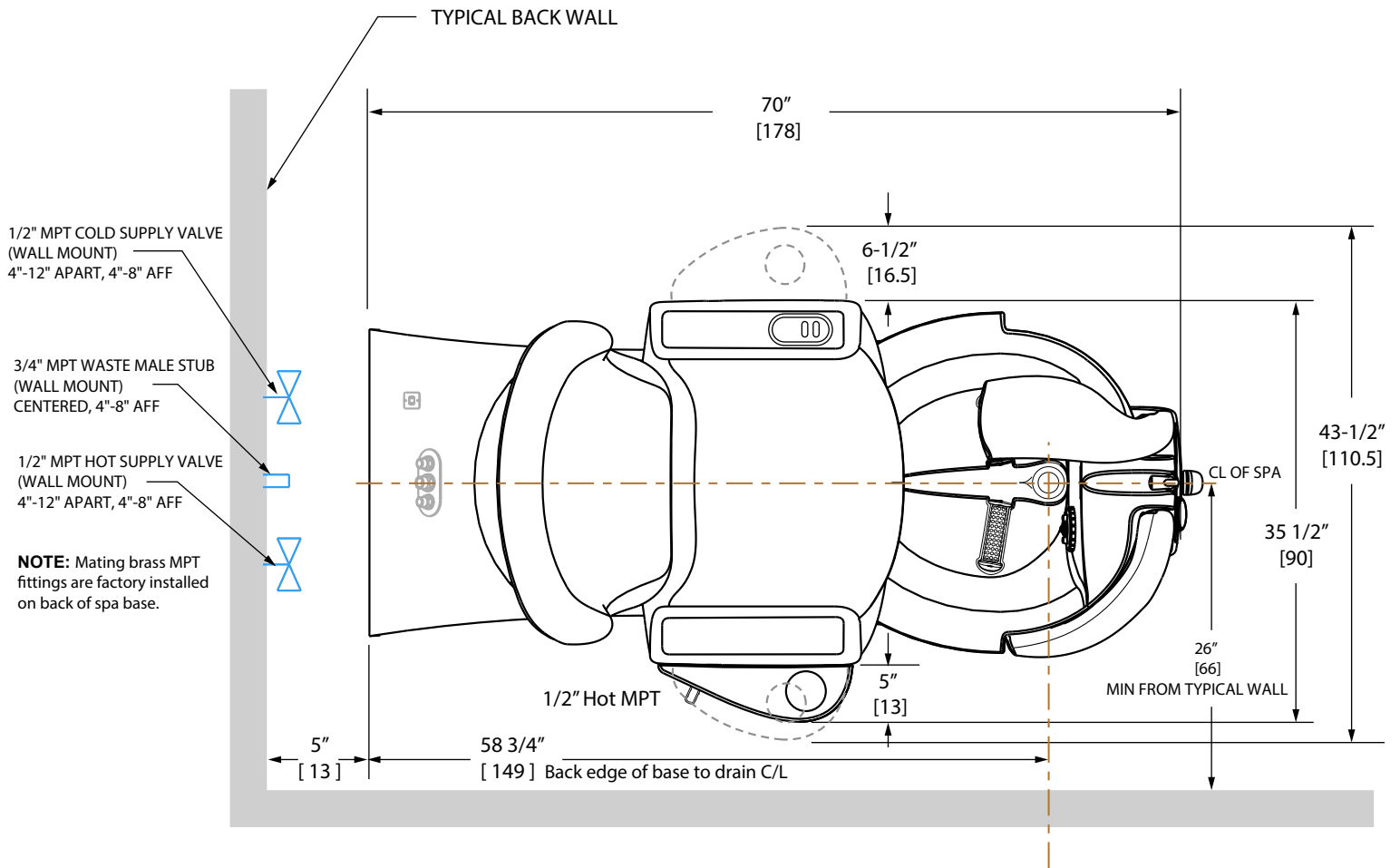
- Always check with local plumbing inspectors for possible special requirements pertaining to pedicure chairs.
- Gravity drain is always preferred. If drain pump is NOT required, unit should be ordered WITHOUT drain pump.
- Gravity drain: Basin outlet is 1-1/2” PVC. Rough-in: 3” minimum diameter hub drain is recommended, 2” A.F.F.
- If Hot/Cold water lines are installed beneath finished floor, shut-offs should be located towards back portion of the unit.  
**Full Concealment side panels are Strongly Recommended**



# Maestro

## INSTALLATION DRAWING

**Note:** Chair swivels left or right for ingress/egress.  
Manicure Trays are optional.  
Cupholder is standard.



UPPER DIMENSIONS ARE IN INCHES  
LOWER DIMENSIONS [ ] ARE IN CENTIMETERS

CONTINUUM FOOTSPAS  
Toll Free: 877-255-3030  
MyContinuumPedicure.com  
Date: March, 2016