

ECHO[®] and VANTAGE[®] Models Specifications

Unless Specifically Noted, Specifications refer to SE, LE and VE Models.

Overall Dimensions: Echo SE – 62” L (158 cm) x 34.5” W (88 cm) x 54” H (137 cm)

Echo LE – 62” L (158 cm) x 45.5” W (116 cm) x 55.5” H (141 cm)

Vantage VE – 62” L (158 cm) x 45.5” W (116 cm) x 51.5” H (131 cm)

Refer to Installation Drawings for additional details

Dimensions Seat to Floor: Echo SE – 23” (58 cm) Vantage VE and Echo LE – 25” (63.5 cm)

Suggested Minimum Distance from Back Edge of Spa Base to Back Wall: Echo SE & LE – 11” (28 cm) Vantage VE – 14” (35.6 cm)

Refer to Installation Drawings for additional details.

Shipping Dimensions Including Skid: 68” L (173 cm) x 34” W (86 cm) x 44” H (112 cm)

Shipping Weight Including Skid: Echo SE – 235 lbs. (107 kg) / Echo LE – 270 lbs. (123 kg) / Vantage VE – 293 lbs. (133 kg)

Shipping Dimensions (Carton Size): 84.0” L (213 cm) x 40.0” W (102 cm) x 44” H (112 cm)

Net Weight: Echo SE - 200 lbs. (91 kg) / Echo LE - 235 lbs. (107 kg) / Vantage VE - 258 lbs. (117 kg)

Client Weight Capacity: 350 lbs. (160 kg)

Basin Capacity: 4.75 US Gallons (18 liters)

Power Requirements: 120V AC, 15 Amp, 60HZ. A separate and dedicated 15 Amp GFCI circuit MUST be used for each pedicure chair.

Construction: Welded steel frame. Curved arch with Formica[®] laminate; completely sealed to prevent delamination. ABS cover panels.

NOTE: Optional Vented Construction is available in those States requiring venting. Two-2” diameter vents are utilized.

Basin (Standard): Chemical resistant acrylic reinforced with three (3) layers of fiberglass, pre-plumbed.

Basin (Optional, Echo models only): Chemical resistant Solid Surface poured polymer, pre-plumbed.

Jet System: One (1) standard Dual Stream NoPipe[®] Jet or One (1) optional Dual Stream Magnetic Jet. Optional I-Fill[®] system (automatically fills and shuts-off) is available.

IMPORTANT: Your Pedicure Chair MUST be Installed by a Licensed Electrician and a Licensed Plumber in Accordance with all National, State and Local Codes/Regulations.

PLUMBING:

Incoming: Hot/Cold supply lines required (1/2” ID). 1/2” MPT connections located on back of spa base.

Sprayer/Filler: Inline back-flow prevention is provided.

Discharge: Gravity drain is standard. Optional factory installed drain pump (air activated switch) with a 3/4” MPT connection located on back of spa base. Back flow prevention is provided.

MASSAGE: Echo SE - Rolling and kneading only **OR** four (4) motor VibroMassage + Heat System. Either system is installed in back of chair; hand held control wand.

Echo LE / Vantage VE - Full Function Shiatsu Back Massage with fold down manicure trays and hand held control wand.

CHAIR CONTROLS:

Two (2) linear actuators electronically controlled with hand held wand. Forward/Backward/Recline.

Certification: Underwriters Laboratories Listed  Compliance Listings to the following Standards: UL 1951, CAN/CSA C22.2 No. 68-92, ANSI/ASME A112.18.3M, A112.19.7M, A112.18.1, CSA B125.1.2005

Compliant with IAPMO Plumbing Standards. Fixtures and hoses are UPC compliant.

LIMITED WARRANTY: Please refer to **Limited Warranty** in Owner’s Manual. Visit our website at MyContinuumPedicure.com.

ACCESSORIES:

Deluxe Tech Chair: Base: 19” diameter (48 cm) Height range (excluding cushion): 12” to 15” (30.5 cm to 38 cm)

Net weight: 15 lbs. (7 kg)

Shipping Dimensions: 26” W (66 cm) x 26” L (66 cm) x 12” H (31 cm) Shipping Weight: 23 lbs. (11 kg)

Standard Tech Chair: Base: 18” diameter (46 cm) Height range (including cushion): 12” to 18” (30.5 cm to 38 cm)

Net weight: 13 lbs. (6 kg)

Shipping Dimensions: 22” W (56 cm) x 30” L (76 cm) x 10” H (25 cm) Shipping Weight: 15 lbs. (7 kg)

Accessory Cart: 16” L (40.6 cm) x 13” W (33 cm) x 17” H (43 cm)-Height is from floor to working surface. Net Weight: 28 lbs. (12.5 kg)

Shipping Dimensions: 21” W (53 cm) x 19” L (48 cm) x 23” H (58 cm) Shipping Weight: 37 lbs. (16.5 kg)

Note: Due to continuous improvements, all specifications are subject to change without notice. All dimensions and weights are approximate.

INSTALLATION AND ROUGH-IN INFORMATION

IMPORTANT - This sheet MUST accompany Installation Drawings

IMPORTANT: All Pedicure Chairs MUST be Installed by a Licensed Electrician and a Licensed Plumber in Accordance with all National, State and Local Codes/Regulations.

IMPORTANT: Special Installation Requirements Pertaining to the State of Wisconsin

Gravity Drain

Pedicure chairs installed in this manner (Gravity Drain) MUST be treated like a bathtub installation and connect directly to the fixture trap most likely below the floor. Approved couplings (i.e. Fernco or Clamp All) may be utilized.

Pump Discharge

The pump discharge MUST terminate into an approved receptor with an air break. An air gap is not required.

- Upper dimensions are in inches, lower dimensions [] are in centimeters.
- **DEPENDING ON THE USE OF MANICURE TRAYS AND/OR CARTS, THE EXACT DISTANCE BETWEEN PEDICURE CHAIRS WILL VARY GREATLY. THIS MUST BE DISCUSSED PRIOR TO ORDERING PEDICURE CHAIRS. THIS WILL ENSURE PROPER INSTALLATION AND ADEQUATE WORKING SPACE.** Please contact Continuum Footspas if additional information is required.
- **IMPORTANT! PLEASE DISCUSS FULL-CONCEALMENT SIDE PANELS WITH CUSTOMERS**
Curved side panels are standard on all non-fiberglass models. These standard panels allow for an “open look” underneath the spa base, but only conceal plumbing and/or electrical in the front and back portion of the pedicure base. When it is necessary to conceal most if not all connections, optional full-concealment side panels must be specified.
- When determining distance between back edge of unit and finished wall, it should be noted chair does recline. To ensure chair does not touch back wall, please review “Installation Drawings” for suggested minimum clearances.
- Electrical Requirements: One (1) dedicated 15 amp, GFCI protected wall outlet/circuit per unit located within two (2) feet of back edge of pedicure chair. (Actual draw is 5 amps) Each pedicure chair will be supplied with a standard four (4) foot grounded power cord. If utilizing an in-floor electrical box, position box underneath pedicure unit towards back of base. Please contact Continuum Footspas if additional information is required.
- Water Supply: One (1) each 1/2” hot and cold water supply. Locate shut-offs on the wall behind pedicure chair. (Suggested range 4” to 12” apart on center, 4” to 8” A.F.F. Shut-offs may be roughed in through the floor. Please contact Continuum Footspas for additional information.
- **INSTALLATION OF OPTIONAL DRAIN PUMP MUST BE NOTED ON ORIGINAL CUSTOMER ORDER. DRAIN PUMP MUST BE FACTORY INSTALLED.** If drain pump is utilized, use 1” OD X ¾” ID discharge hose to connect unit to approved drain.

CONTINUUM FOOTSPAS LIMITED WARRANTY IS NULL AND VOID IF PEDICURE CHAIR IS NOT PROPERLY SECURED TO FINISHED FLOOR

ADDITIONAL INFORMATION REGARDING GRAVITY DRAIN INSTALLATIONS

- Always check with local plumbing inspectors for possible special requirements pertaining to pedicure chairs.
- Gravity drain is always preferred. If drain pump is NOT required, unit should be ordered WITHOUT drain pump.
- Gravity drain: Basin outlet is 1-1/2” PVC. Rough-in: 3” minimum diameter hub drain is recommended, 2” A.F.F.
- If Hot/Cold water lines are installed beneath finished floor, shut-offs should be located towards back portion of the unit.
Full Concealment side panels are Strongly Recommended

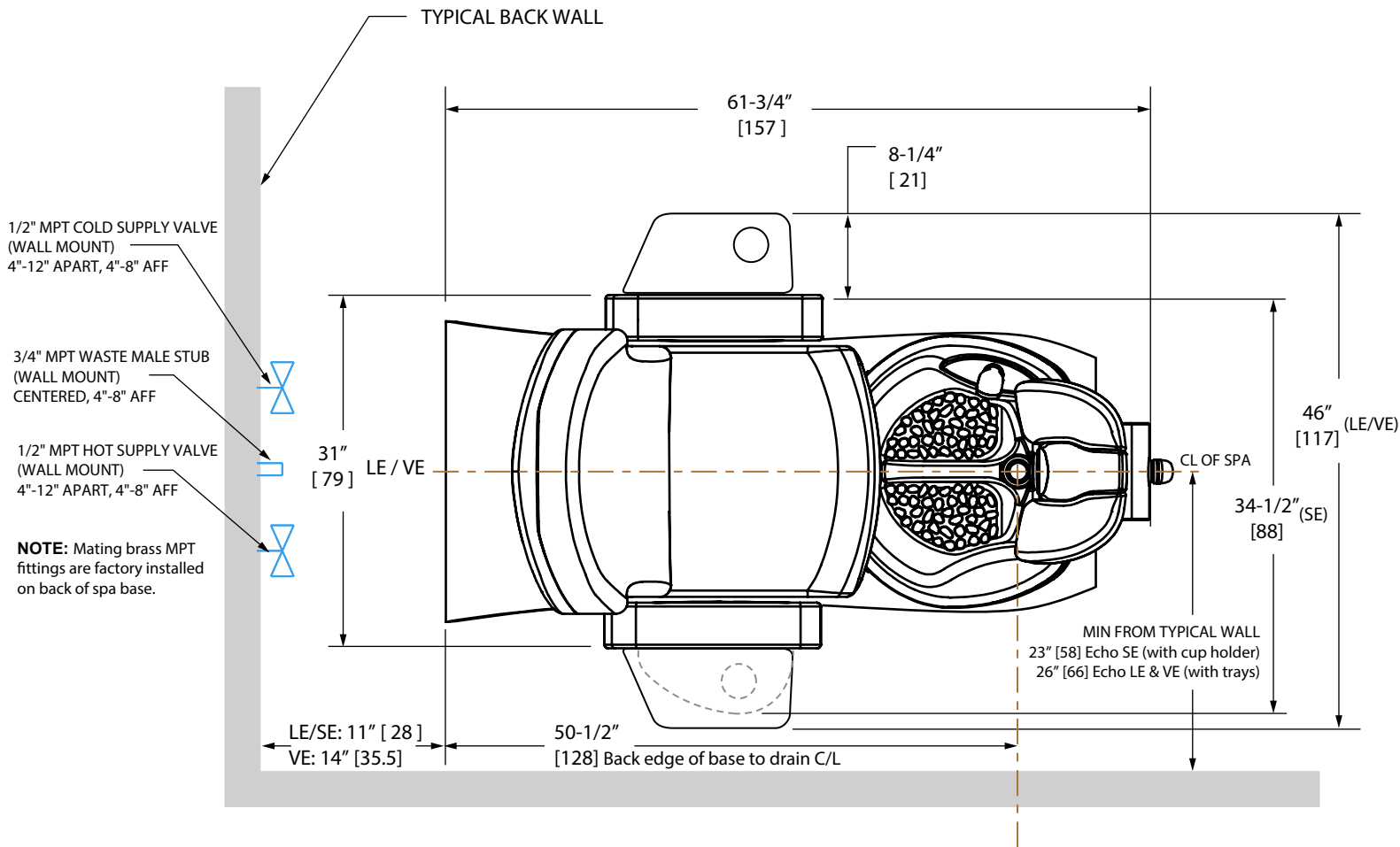


Echo LE / SE Vantage VE

INSTALLATION DRAWING

Note: Manicure Trays are standard on LE and VE, optional on SE.

Cupholder Standard on SE.



UPPER DIMENSIONS ARE IN INCHES
LOWER DIMENSIONS [] ARE IN CENTIMETERS

CONTINUUM FOOTSPAS
Toll Free: 877-255-3030
MyContinuumPedicure.com
Date: March, 2016