

**CONFIG :**

**KIT No : K**

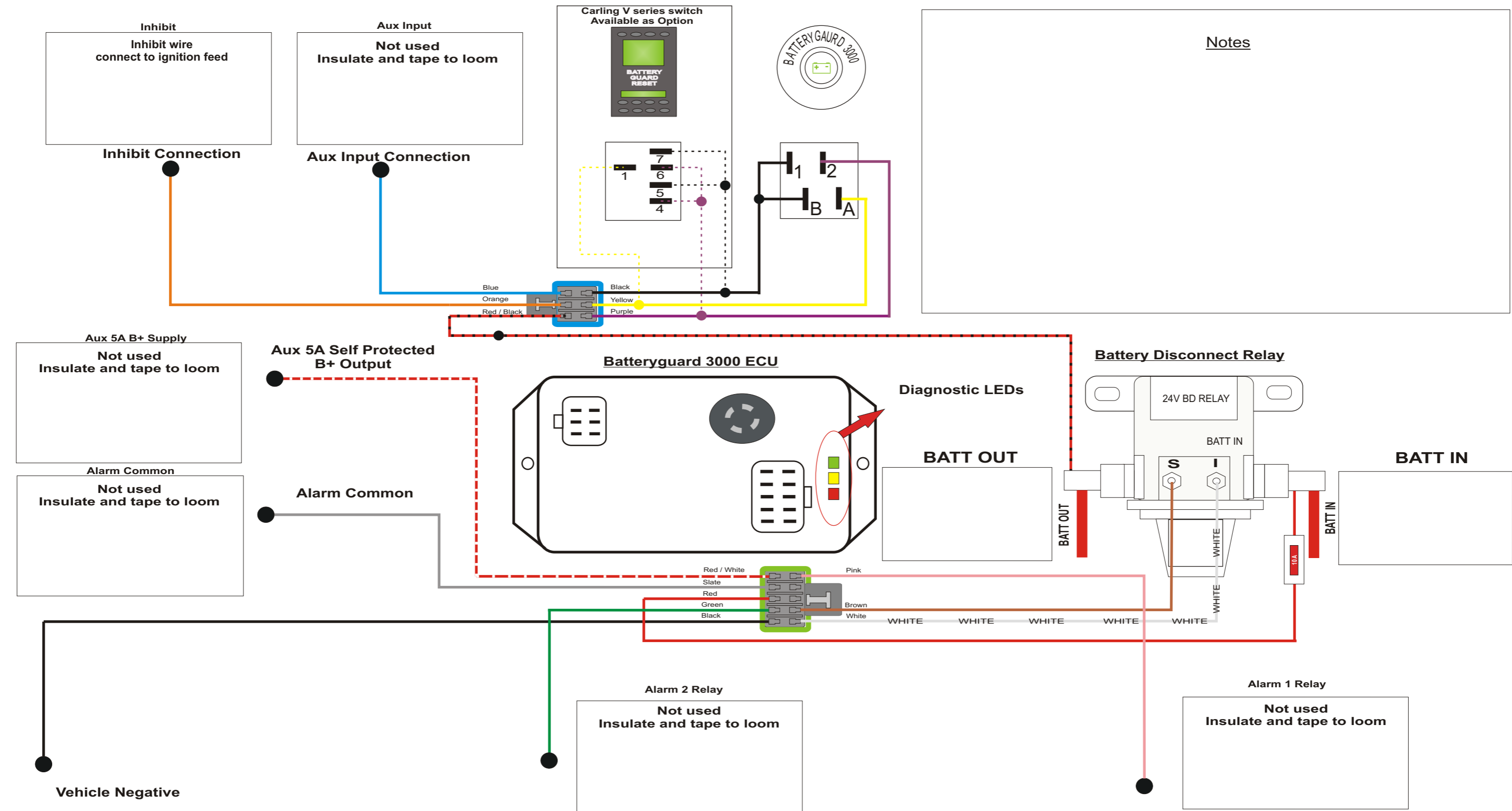
**Manual Isolation delay:**

**Low voltage threshold:**

**Alarm 1:**

**Alarm 2:**

**THESE INSTRUCTIONS ARE ONLY TO BE USED AS A GUIDE. IT IS THE INSTALLERS RESPONSIBILITY TO VALIDATE FOR EACH INSTALLATION**  
**INTELLITECMV Ltd CAN NOT BE HELD RESPONSIBLE FOR VEHICLE VARIATIONS**



Reason for Issue Change:



Draw number : BG3K-000001

Drawn : S Kelley

Revised:  
Issue Level: B

Check : T.H.   
S.S.

Date :12-1-09

Scale : NTS

Filepath :

**Intellitec Technical Services**  
**Speciality Vehicle Electronics Division**

**Technical Helpline**  
**0151 4828970**

Title :

