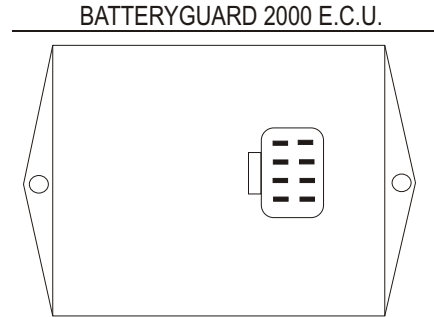


K218

12v version only

Connect this orange cable into existing Alternator D+ wiring or Ignition feed depending on customer requirement.. +12v present on this cable will inhibit manual or automatic operation of Batteryguard.



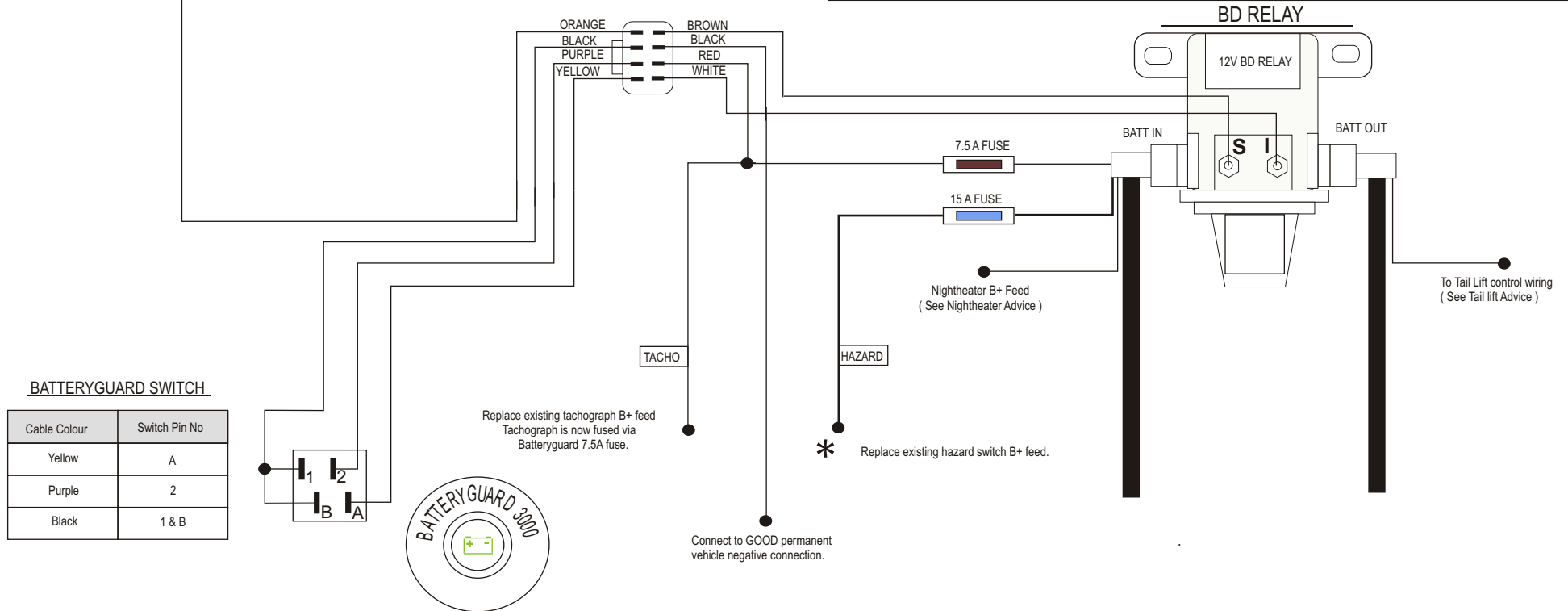
Schematic Information

Plug Identification	Cable Colour	Function
A	WHITE	I TERMINAL TO BD RELAY
B	RED	B+ POWER
C	BLACK	NEGATIVE
D	BROWN	S TERMINAL TO BD RELAY
E	ORANGE	INHIBIT / IGNITION
F	BLACK	SWITCH NEGATIVE
G	PURPLE	SWITCH
H	YELLOW	L.E.D.

Component Description	Part No
12v Batteryguard 2000 Electronic Control Unit	00-00660-122/002
12v Batteryguard Battery Disconnect Relay	10-00055-002
Batteryguard Reset Switch	RSA001
Reset Switch Connector	K142
Standard Batteryguard loom	CDL10097
Relay Insulating Boots	Ac1 - Small Ac3 - Large
Batteryguard Install Kit	01-00098-000
Installation Schematic	BMS-00-660-0034
Dashboard Decal	BGDD001

* U.K. Legislation - Hazard circuit to remain live at all times.

! If in doubt please ask.



Reason for Issue change:



Draw number : BMS-00-660-0034

Drawn : M.Cain

Issue: A
Revised:

Check : PWS.
G.P.

Date : 15-3-16

Scale : NTS

Filepath : . Workshop\BMS\BG2000

Intellitec M.V. Technical Services
Speciality Vehicle Electronics Division

Technical Helpline
01514828970

Title :
12V Batteryguard 2000 Electrical Wiring Diagram
With Apem Switch