

Additional Li-ion battery circuit suggestions

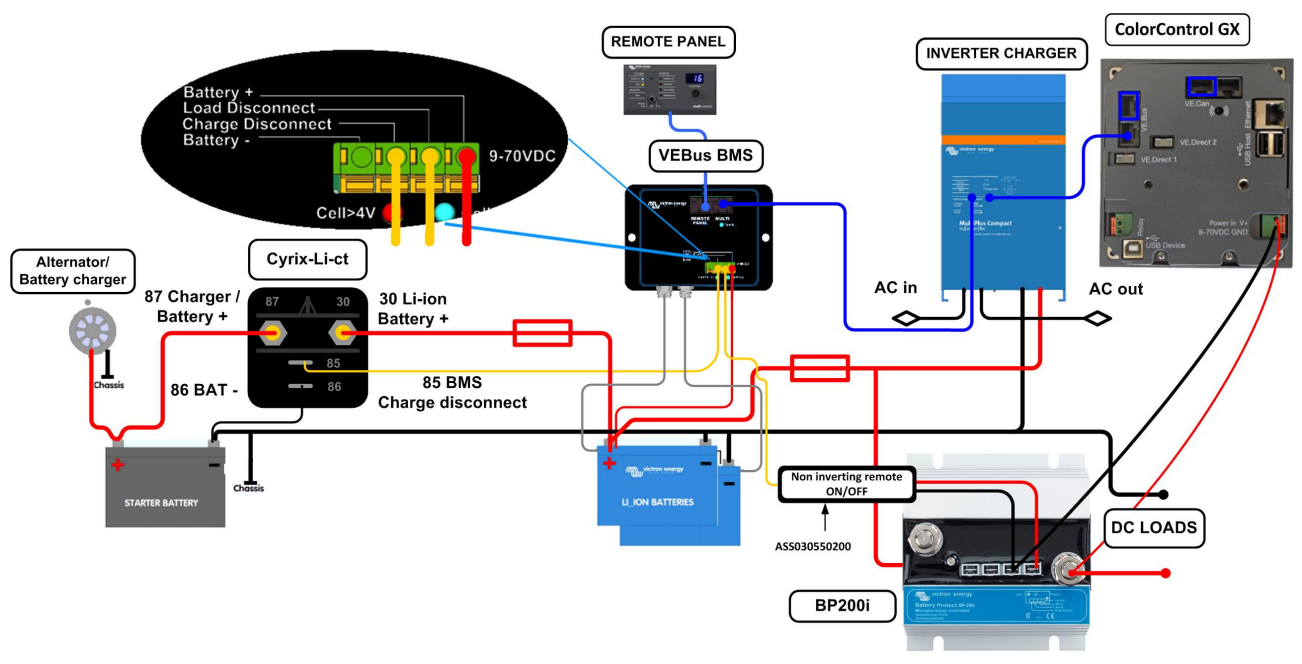


Figure 1: System with a separate starter battery and a Color Control GX.

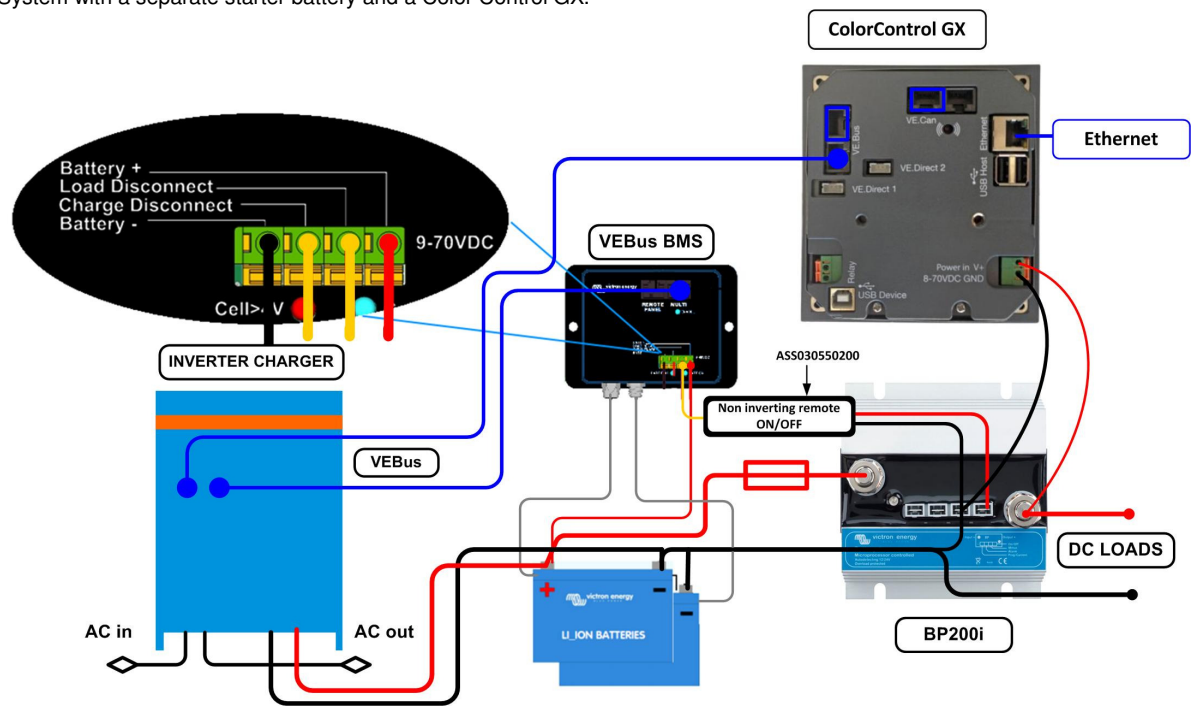


Figure 2: System with MultiPlus or Quattro and Color Control GX.

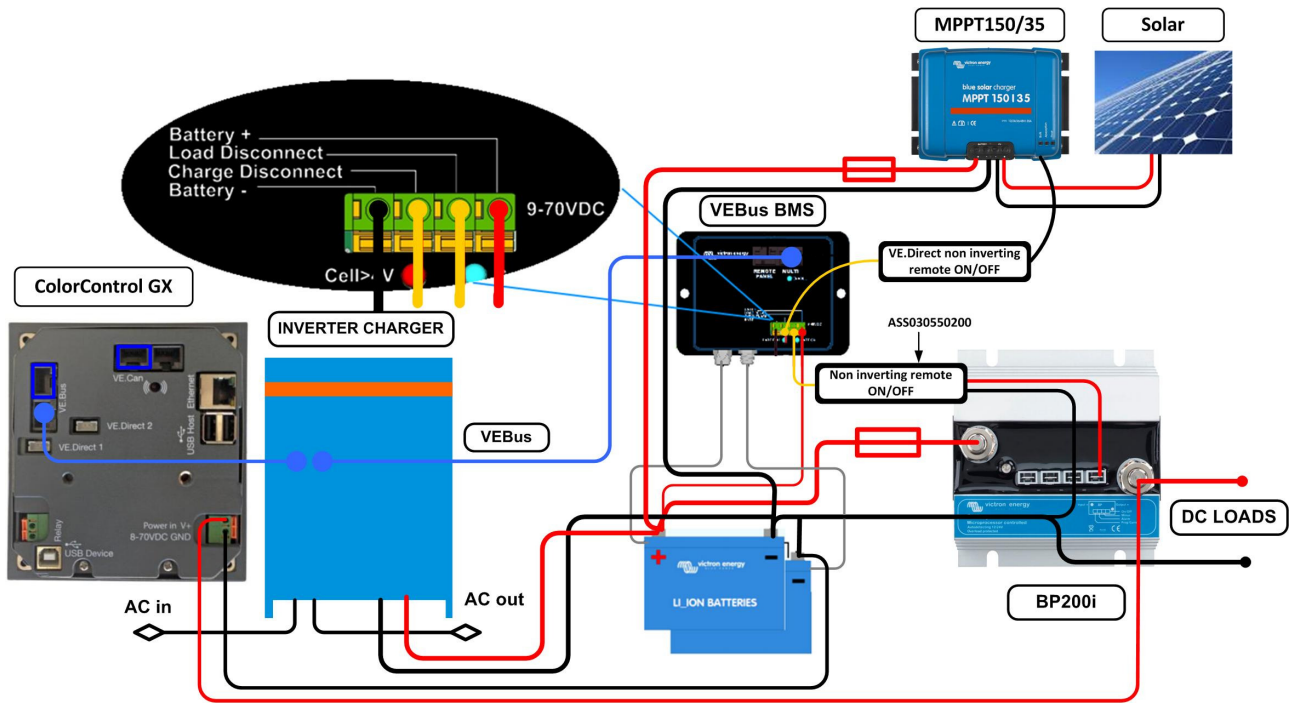


Figure 3: System with MultiPlus or Quattro, MPPT 150/35 and Color Control GX. The Color Control GX is switched off together with the DC loads in case of battery undervoltage.

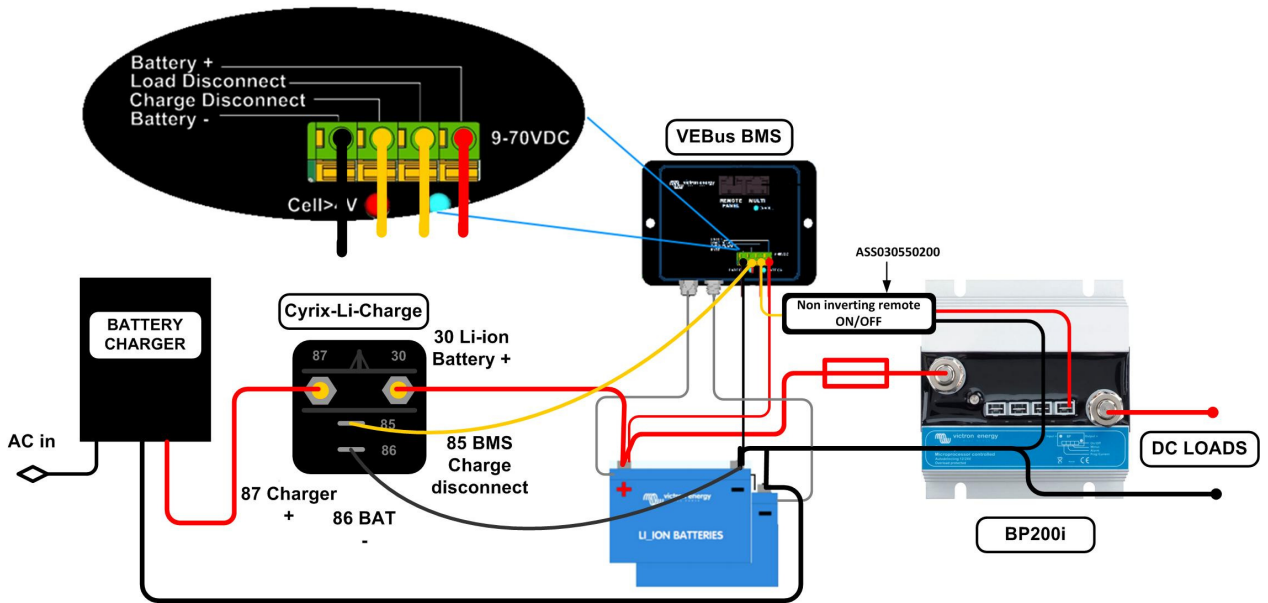


Figure 4: Charging a Li-ion battery: battery charge without remote on-off.

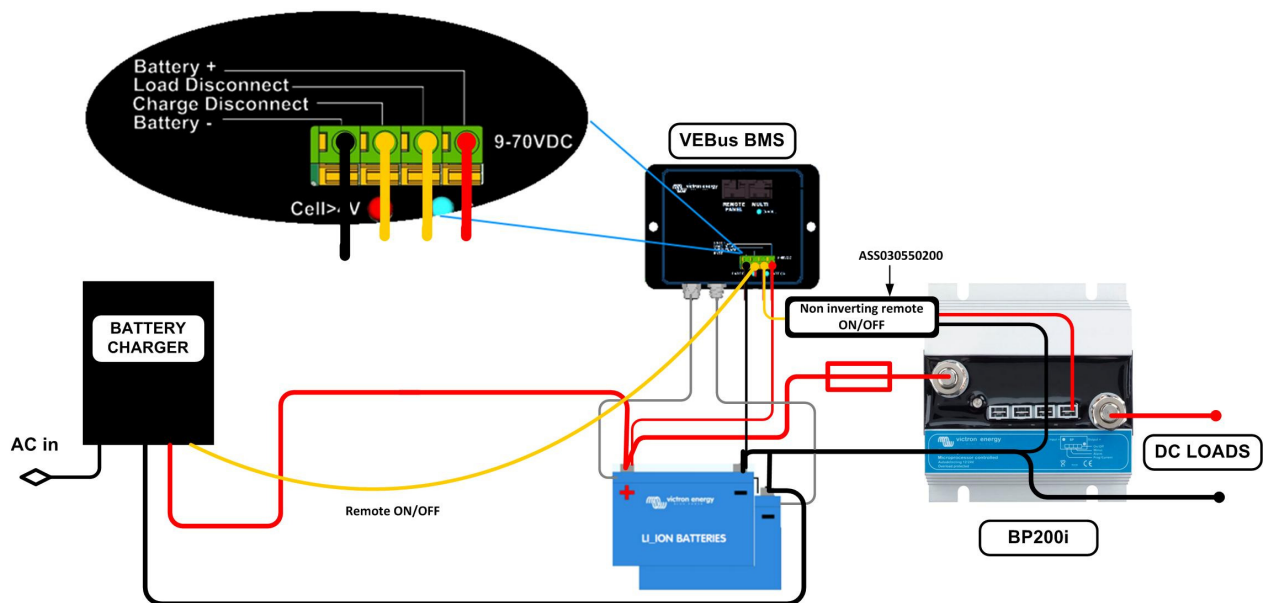


Figure 5: Charging a Li-ion battery: battery charger with remote on-off. Charger ON when the remote input is pulled high (= battery voltage) and OFF when the remote input is left free floating.

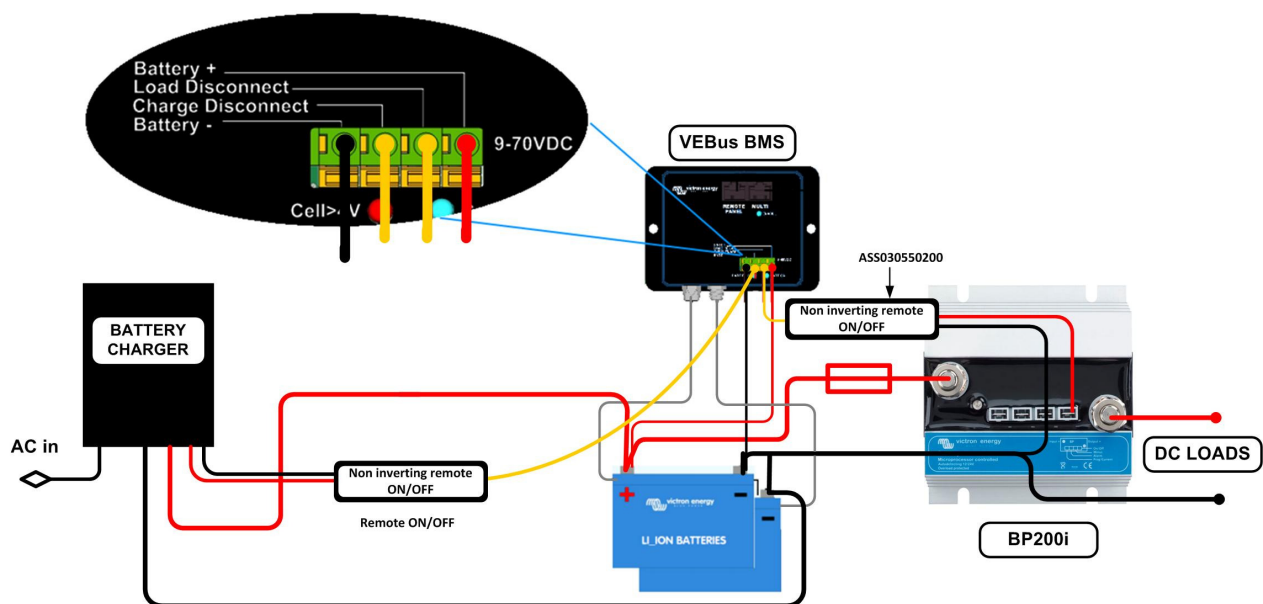


Figure 6: Charging a Li-ion battery: battery charger with remote on-off that needs active pull down to switch OFF. (charger OFF when the remote input is pulled down, and ON when open circuited)

Victron Energy Blue Power

Distributor:

Serial number:

Version : 00
Date : 22 December 2014

Victron Energy B.V.
De Paal 35 | 1351 JG Almere
PO Box 50016 | 1305 AA Almere | The Netherlands

General phone : +31 (0)36 535 97 00
Customer support desk : +31 (0)36 535 97 03
Fax : +31 (0)36 535 97 40

E-mail : sales@victronenergy.com

www.victronenergy.com