

Manual EN

Handleiding NL

Manuel FR

Anleitung DE

Manual ES

Appendix

Skylla-i

24/80 (1+1)

24/80 (3)

24/100 (1+1)

24/100 (3)

1. SAFETY INSTRUCTIONS

1.1. General

- Please read the documentation supplied with this product first, so that you are familiar with the safety signs and directions before using the product.
- This product is designed and tested in accordance with international standards. The equipment should be used for the designated application only.

- **WARNING: danger of electric shock**

The product is used in combination with a permanent energy source (battery). Even if the equipment is switched off, a dangerous electrical voltage may still be present at the input and/or output terminals. Always disconnect the AC power and the battery before performing maintenance.

- The product contains no internal user-serviceable parts. Do not remove the front panel unless the mains and the battery are disconnected. Do not put the product into operation unless all panels are fitted. All maintenance should be performed by qualified personnel.
- Never use the product at sites where gas or dust explosions could occur. Refer to the specifications provided by the manufacturer of the battery to ensure that the battery is suitable for use with this product. The battery manufacturer's safety instructions should always be observed.
- **WARNING: do not lift heavy objects unassisted.**

1.2. Installation

- Read the installation instructions before commencing installation activities.
- This product is a safety class I device (supplied with a ground terminal for safety purposes). **It's AC input and/or output terminals must be provided with uninterruptible grounding for safety purposes. An additional grounding point is located on the outside of the product.** If it can be assumed that the grounding protection is damaged, the product should be taken out of operation and prevented from accidentally being put into operation again; contact qualified maintenance personnel.
- Ensure that the connection cables are provided with fuses and circuit breakers. Never replace a protective device by a component of a different type. Refer to the manual for the correct part.
- Check before switching the device on whether the available voltage source conforms to the configuration settings of the product as described in the manual.

- Ensure that the equipment is used under the correct operating conditions. Never operate it in a wet or dusty environment.
- Ensure that there is always sufficient free space around the product for ventilation, and that ventilation openings are not blocked.
- Install the product in a heatproof environment. Ensure therefore that there are no chemicals, plastic parts, curtains or other textiles, etc. in the immediate vicinity of the equipment.

1.3. Transport and storage

- During storage or transport of the product, ensure that the mains supply and battery cables are disconnected.
- No liability can be accepted for damage in transit if the equipment is not transported in its original packaging.
- Store the product in a dry environment; the storage temperature should range from -20°C to 60°C .
- Refer to the battery manufacturer's manual for information on transport, storage, charging, recharging and disposal of the battery.

2. INSTALLATION AND WIRING

2.1. Installation

Find a dry and well-ventilated area to mount the Skylla charger and battery. Keep the cable length between the charger and the battery less than 6 meters.

The charger may be wall or floor mounted. Vertical mounting improves the air circulation within the charger cabinet and will prolong the lifetime of the battery charger.

Wall mounting

The unit can best be mounted to a wall using the supplied mounting plate. With this plate fixed to the wall, the charger can be hung on this mounting plate. The charger can then be fixed by installing two screws at the lower backside of the charger. Now the charger is fully secured.

Wiring

The inlets for the mains cable, the battery cables, the remote functions and the connection to attach the earth cable are located at the bottom of the housing, see Figure 1 for the two output models and figure 3 for the three output models

Figure 1 Bottom view of cabinet showing cable entries: two output models

1. Mains cable
2. Remote connections
3. Starter battery
4. Main battery
5. Grounding point

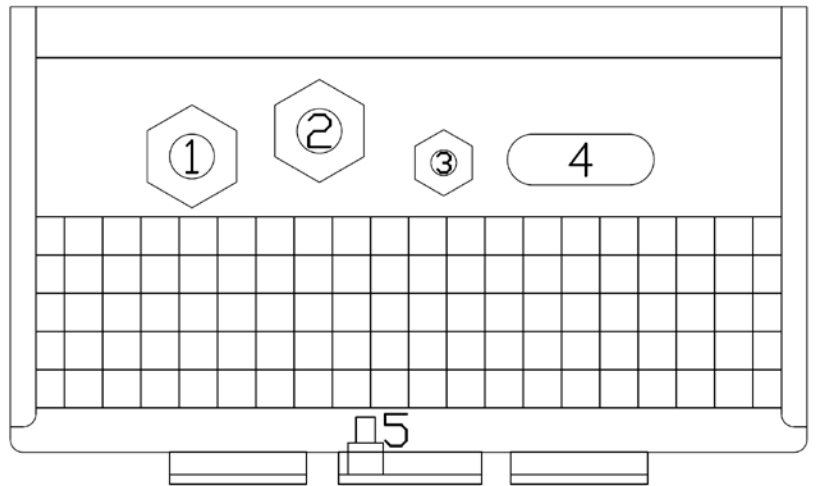
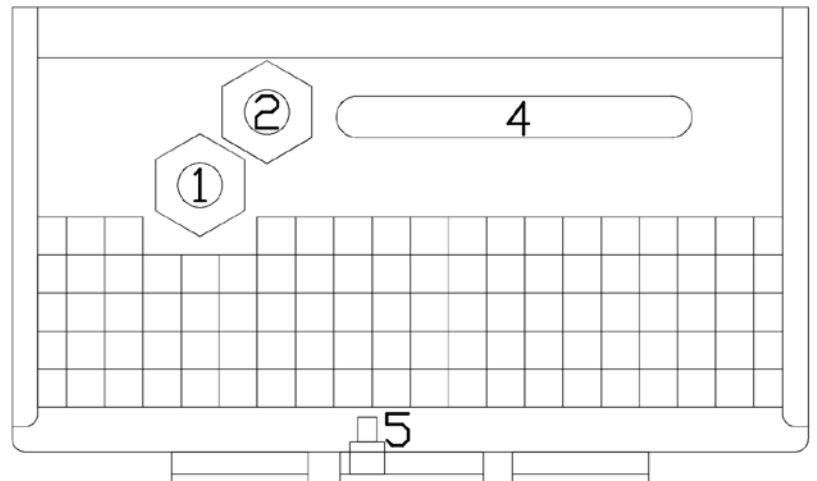


Figure 2 Bottom view of cabinet showing cable entries: three output models

1. Mains cable
2. Remote connections
3. (not present)
4. Main batteries
5. Grounding point



Connecting earth

Connect the grounding point (5) to a real earth-point. Connections to earth have to be according to applicable safety standards.

- On a ship: connect (5) to the earth plate or to the hull of the ship.
- On land: connect (5) to the earth of the mains. The connection to the earth of the mains has to be according to applicable safety standards.
- Mobile applications (a vehicle, a car or a caravan): Connect (5) to the frame of the vehicle.

The battery connections of the charger are fully floating with respect to this grounding point.

2.2. Connecting the batteries

Recommended cable cross section:

Skylla-i type	cable length up to 1,5m	cable length 1,5m - 6m
24/80 (1+1)	25mm ²	35mm ²
24/80 (3)	25mm ² to each battery	35mm ² to each battery
24/100 (1+1)	35mm ²	50mm ²
24/100 (3)	35mm ² to each battery	50mm ² to each battery

2.2.1. Connecting the starter battery

The starter battery has to be connected using wire of at least 2.5mm².

Connect the positive (+) battery-pole to the "Starter battery plus" connector, see figure 2.

2.2.2. Battery connection sequence



The Skylla is NOT protected against reverse battery polarity. ("+" connected to "-" and "-" connected to "+"). Follow the installation procedure. The warranty expires when the Skylla becomes defective due to reverse polarity.



The on/off switch at the front of the cabinet does not switch off the mains supply.



Disconnect the mains supply before making or breaking connections to the battery.

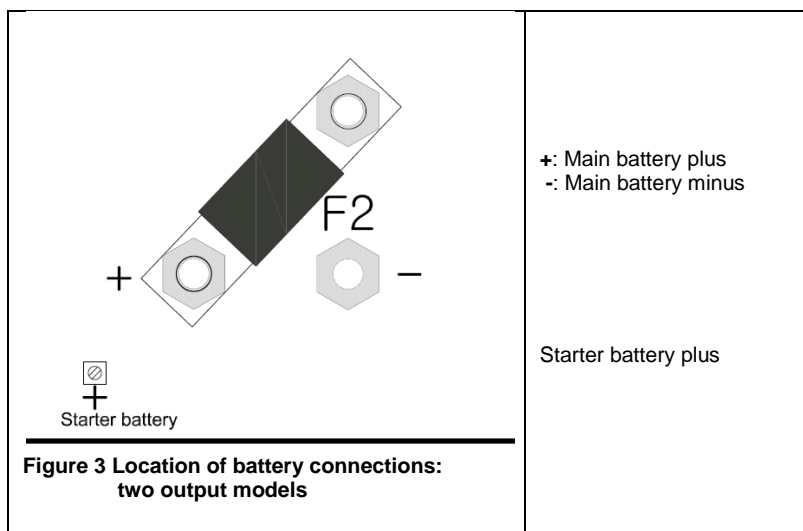
1. Disconnect the mains supply.
2. Disconnect battery cables from the battery.
3. Remove the front cover of the charger.
4. Connect battery cables to the charger.
5. Connect battery cables to the battery.

2.2.3 Battery disconnection sequence



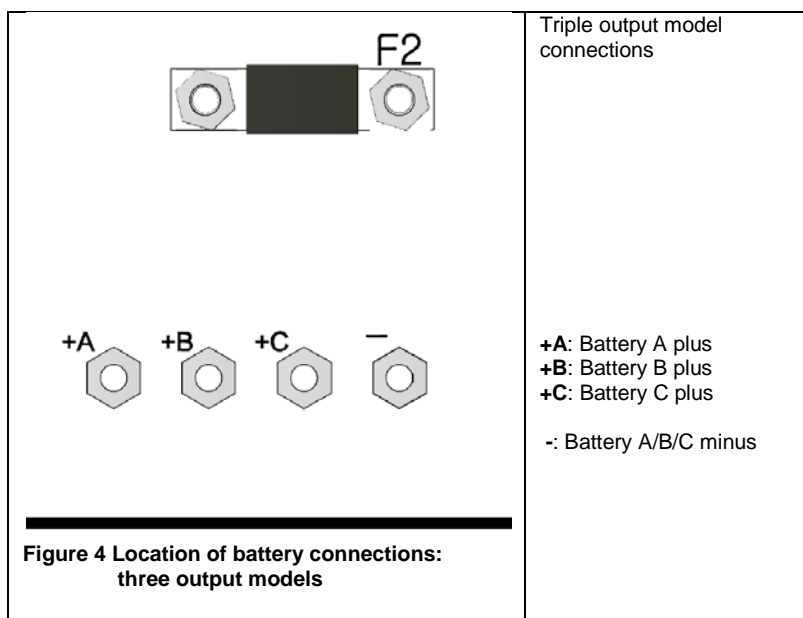
When disconnecting the battery cables, be very careful not to accidentally short circuit the battery.

1. Switch off the charger.
2. Disconnect the mains supply.
3. Disconnect battery cables from the battery.
4. Remove the front cover of the charger.
5. Disconnect the negative battery-cable.
6. Disconnect the positive battery-cable.
7. Disconnect all other cables like temperature sensor and/or voltage sensor used with this particular battery.



Note:

The starter battery can draw current from the battery connected to the main battery terminals in case the starter battery voltage is lower than the main battery voltage. However, the main battery cannot draw current from the starter battery even when the starter battery is fully charged and the main battery is at minimum charge level.



2.3. Other options

The wiring of these signals must be done with the mains disconnected from the charger.

CONNECTION BLOCK FOR EXTERNAL SENSORS, SWITCH AND RELAY

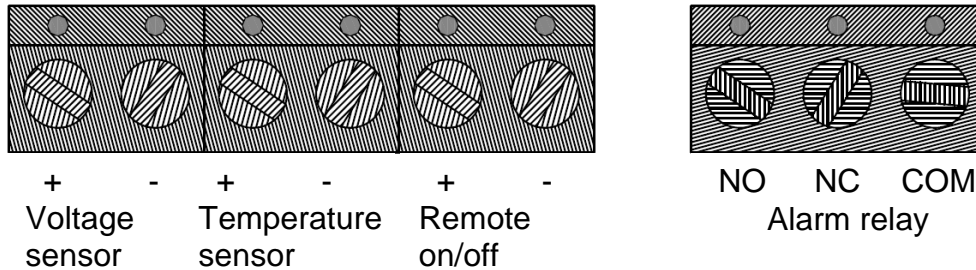


Figure 5 Connector block

2.3.1. External voltage sensor (see fig 5)

External voltage sensing may be used when accurate battery voltage sensing is important, such as high charging currents in combination with long cables.

To connect the external voltage sensing option, proceed as follows:

- connect a red wire (0.75mm²) between the positive battery pole and connector "+ Voltage sensor"
- connect a black wire (0.75mm²) between the negative battery pole and connector "- Voltage sensor"
- check that the accompanying LED is lit, otherwise check cabling

2.3.2. External temperature sensor

The external temperature sensor, supplied with the charger, can be connected to these terminals in order to perform temperature compensated charging of the battery. The sensor is electrically isolated and must be connected to the negative pole of the battery.

To connect the temperature sensor, proceed as follows:

- connect the red wire to connector "+ Temperature sensor"
- connect the black wire to connector "- Temperature sensor"
- mount the temperature sensor on the negative pole of the battery
- check that the accompanying LED is lit, otherwise check cabling

2.3.3. Remote on/off

The wiring of the remote switch requires extra attention. Since this input is quite sensitive it is advised to use twisted wires for this connection.

The remote on/off input can also be connected to an open collector optocoupler: the open circuit voltage is 3V and the closed circuit current is 100 µA.

When no remote switch is connected the remote on/off terminals must be short circuited by a short wire.

The remote on/off input can be connected to a Lithium Battery Management System VE.Bus BMS ('charge disconnect' output) with a Skylla-i remote on-off cable ASS030550400.

2.3.4. Alarm relay connections

The alarm relay is triggered by a battery under-voltage situation (<23,8V). The function may be used for any desirable action: starting a generator, sounding an alarm etc.

2.3.5. CAN bus connection (VE.Can)

The VE.Can connectors (RJ45) provide access for control (Skylla-i remote control panel, Color Control GX or NMEA 2000). The two RJ45 connectors in each charger (see figure 7) are parallel connected. There is therefore no functional difference between these connectors.

The end of a CAN cable should have a bus terminator. This is achieved by inserting a bus terminator in one of the two RJ45 connectors and the CAN cable in the other. In case of a node (two CAN cables, one in each RJ45 connector), no termination is needed.

Several Skylla-i control panels can be connected to one charger or to a set of synchronised and parallel connected chargers.

A Lynx Ion can be connected to the Skylla-i charger directly via the VE.Can bus, the 'allow-to-charge' condition will be communicated via the VE.Can bus automatically, no separate wiring is required.

2.3.6. Synchronised parallel operation

Several chargers can be synchronised with the CAN interface. This is achieved by simply interconnecting the chargers with RJ45 UTP cables (bus terminators needed, see section 2.3.5).

The paralleled chargers must have identical DIP switch and rotary switch settings.

A mix of Skylla-i 100A and 80A chargers can be paralleled.

Two output and three output chargers cannot be paralleled with each other.

The shore current limit of the parallel charger group can be set with the Skylla-i control panel. The current limit as shown on the panel is the shore current of the group.

The output current of one charger may differ from another charger although connected in parallel.

If one charger from the parallel connected chargers is disconnected, the failure LED will blink on all units that used to operate in parallel mode. To resolve this issue either reconnect the missing charger or power cycle the remaining units.

In case of using remote sensors (voltage and/or temperature), the remote sensor needs to be connected to one of the parallel operating chargers. All other chargers will share the information via the CAN interface. The green LED in the charger with the sensor connected to it, will be lit continuously, the other chargers will blink the corresponding LED.

In case of synchronized parallel operation the LED “ON” will blink every 3 seconds on all paralleled units.

2.3.7 Connecting the AC supply (see fig 6)

1. Check if the battery is connected to the charger.
2. Remove the front of the battery charger to access the AC input connector.
3. Connect the mains PE cable (green/yellow) to the AC input connector, terminal PE, located on the circuit board, see Figure
4. Connect the mains neutral cable (blue) to the AC input connector terminal N.
5. Connect the mains line cable (brown) to the AC input connector terminal L.
6. **Select the correct battery charge curve before applying AC power (see section 3).**

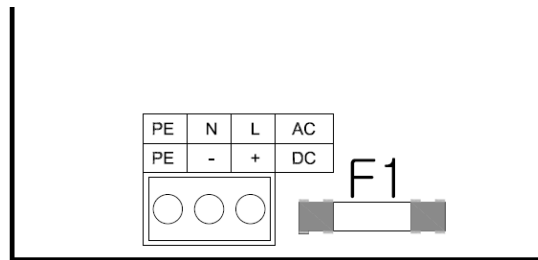


Figure 6 Mains cable connection

3. CONTROL AND ADJUSTMENT

When the charger is installed correctly and before mains power is applied, the charger should be set up to suit the battery connected.

Note about the models with three outputs: all settings are applied to the three outputs simultaneously

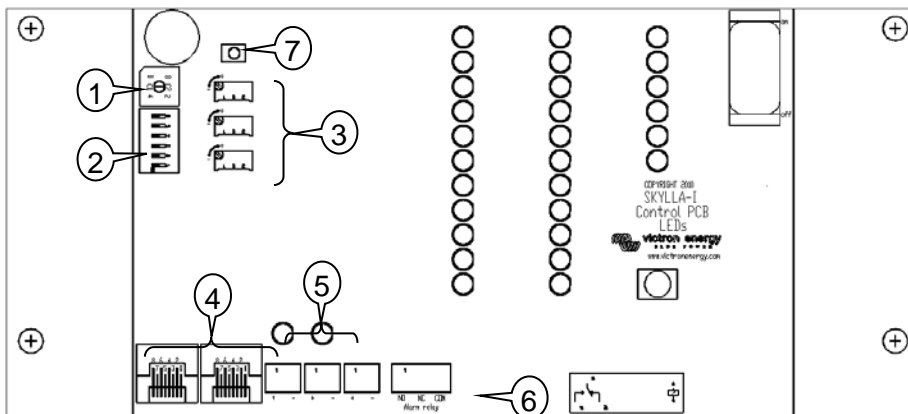


Figure 7 Internal controls and connections

For this purpose, the control board is fitted with a number of switches and connectors to facilitate the user with the following options:

1. Rotary switch for choice of battery type.
2. DIP switch for setting various options.
3. Fine tuning of current and voltage for position 8 of the rotary switch (and voltage only for position 9)
4. CAN bus connection (RJ45).
5. Indicators for correct connection of voltage and temperature sensors.
6. Connection block for external sensors, switch and relay.
7. Reset settings to factory defaults (press for 5 seconds).

3.1. Rotary switch

The rotary switch provides the user with a selection of preset battery types to be charged. See table below.

Warning: the charge voltages as given below are indicative only. Always refer to the battery supplier for the right charge voltages.

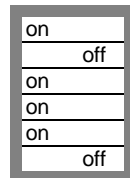
Pos	Description	Absorption V	Float V	Storage V	Equalization maxV@% of Inom	dV/dT mV/°C
0	Do not use					
1	Gel Victron long life (OPzV) Gel exide A600 (OPzV) Gel MK	28,2	27,6	26,4	31,8@8% max 1hr	-32
2	Default setting Gel Victron deep discharge, Gel Exide A200 AGM Victron deep discharge Stationary tubular plate (OPzS) Rolls Marine (flooded), Rolls Solar (flooded)	28,8	27,6	26,4	32,4@8% max 1hr	-32
3	AGM spiral cell Rolls AGM	29,4	27,6	26,4	33,0@8% max 1hr	-32
4	PzS tubular plate traction batteries or OPzS batteries in cyclic mode 1	28,2	27,6	26,4	31,8@25% max 4hrs	-32
5	PzS tubular plate traction batteries or OPzS batteries in cyclic mode 2	28,8	27,6	26,4	32,4@25% max 4hrs	-32
6	PzS tubular plate traction batteries or OPzS batteries in cyclic mode 3	30,0	27,6	26,4	33,6@25% max 4hrs	-32
7	Lithium Iron Phosphate (LiFePo₄) batteries	28,4	n. a.	26,7	n. a.	0
8	Adjustable: maximum charge current and absorption and float voltages can be set with potentiometers	Adj.	Adj.	26,4	(Vabs. + 3,6V)@25% max 4hrs	-32
9	Power supply mode	24,0	n. a.	n. a.	n. a.	0

3.2. DIP switch

The DIP switches are numbered 6 to 1, **top to bottom**.

Default settings:

DS-6 Bulk Protection
DS-5 Absorption time
DS-4 Absorption time
DS-3 Adaptive
DS-2 Watch
DS-1 Automatic equalization



3.3. Explanation of settings:

DS-6. Bulk Protection. When switched on, the failure LED will be lit and the charger will shut down when the bulk time exceeds 10 hrs.

DS-5 and DS-4. Absorption time. The combination of switches 5 and 4 sets the maximum absorption time in case of adaptive charging, and a fixed time in case the adaptive mode has been switched off (DS-3).

DS-5	DS-4	Absorption time
Off	Off	2 hrs (preferred for LiFePo₄ batteries)
On	Off	4 hrs.
Off	On	8 hrs. (default)
On	On	12 hrs.

DS 3. Adaptive. When switched on, the absorption and float time depend on the bulk time (with the maximum time set by DS-5 and DS-4).

The dependencies are as follows:

Absorption time = (bulk time)*20 with a minimum of 30 minutes and a maximum as set by DS-5 and DS-4.

Float time = (bulk time)*20 with a minimum of 4hrs and a maximum of 8hrs.

DS-2. Watch. When DS-2 is on, the battery voltage is checked when the charger is switched on. If the voltage exceeds 26V, the charger will consider the battery fully charged, and start in storage mode. If the voltage is lower, the charger will start in bulk mode.

When DS-2 is off, the charger will always start in bulk mode.

DS-1. Automatic equalization. When DS-1 is switched on, the absorption charge will be followed by a voltage limited constant current period (see table). The yellow LED “abs” will blink during equalization.

The current is limited to 8% of the bulk current for all VRLA (Gel or AGM) batteries and some flooded batteries, and to 25% of the bulk current for all tubular plate batteries. The bulk current is the rated charger current (80A or 100A) unless a lower setting has been chosen (charge current can be reduced with the current setting potentiometer and rotary switch in position 8, or with the Can bus interface).

If, as recommended by most battery manufacturers, the bulk charge current is about 20A per 100Ah battery capacity (i.e. 500Ah for a 100A charger), the 8% limit translates to 1,6A per 100Ah battery capacity, and the 25% limit translates to 5A per 100Ah capacity.

In case of all VRLA batteries and some flooded batteries (rotary switch position 1, 2 or 3) automatic equalization ends when the voltage limit maxV has been reached, or after $t = (\text{absorption time})/8$, whichever comes first.

For all tubular plate batteries automatic equalization ends after $t = (\text{absorption time})/2$.

Warning

Some battery manufacturers do recommend a constant current equalization period, and others do not. Do not use constant current equalization unless recommended by the battery supplier.

Rotary switch position 8: manual setting potentiometers

These potentiometers provide adjustable levels for (from top to bottom):

- bulk current (range 0A .. 100A for a 100A charger)
- absorption voltage (range 11.5V .. 33V)
- float voltage (range 11.5V .. 33V)

Control direction is such that the values increase when turning the potentiometer clockwise. For easy adjustment the charger will automatically jump to the appropriate mode as soon as it detects a change in the position of a potentiometer. When satisfied with the settings, restart the charger and it will go through the regular charge sequence using the new settings.

Software version 2.01 and higher: when adjusting, the current and voltage will be indicated by the LED bars (blinking) on the Skylla-i, and by the display (blinking) on Skylla-i control panel.

Rotary switch position 9: DC power supply mode

The charger can be set to operate as a DC power supply.

In this mode, the charger functions as a constant voltage source with a maximum output current of 80 resp. 100A. By default the output voltage is set to 24V, if needed the output voltage can be changed by adjusting the absorption voltage potentiometer (range 11.5V .. 33V). When satisfied with the new setting switch off the charger using the main on/off switch and it will store the voltage level.

Software version 2.01 and higher: when adjusting, the voltage will be indicated by the LED bars (blinking) on the Skylla-i, and by the display (blinking) on Skylla-i control panel.

3.4. Temperature compensation

The temperature sensor should be connected to the minus pole of the battery.

The temperature compensation is set at $-32\text{mV}/^\circ\text{C}$ for all 24V lead acid batteries (see table and fig 7), and all charge states.

The temperature sensor must be installed when:

- ambient temperature of the battery is expected to regularly be lower than 15°C or to regularly exceed 30°C
- charge current exceeds 15A per 100Ah battery capacity

Temperature compensation is not required for Li-Ion batteries.

3.5. Manual equalize function

With the equalize button on the front, the charger can be put in equalize mode only during absorption and float periods. When the charger is still in bulk mode equalization is not possible.

To enable equalization, press the equalize button for three seconds. The yellow led “abs” and “bulk” will alternate during equalization.

Current and voltage limits are identical to the automatic equalize function (see section 3.3). The equalize duration is however limited to max. 1hr when triggered with the equalize button.

3.6. Power Control – maximum use of limited shore current

A maximum input current can be set in order to avoid fusing the mains supply.

This adjustment is only available with the optional Skylla-i control panel or the Color Control GX panel.

4. OPERATION

4.1. Battery charging

After applying mains power and switching the unit ON:

- all LEDs will be lit during two seconds
- the green LED will then be on to indicate the unit is "On"
- the state of charge will be indicated by lighting one of four yellow LEDs
- the actual output voltage and current will be indicated by the appropriate red LED bars
- the internal fans may run depending upon the temperature inside the cabinet (temperature controlled)

In case the red LED is lit, refer to section 6.

4.2. Seven stage charge curve for lead-acid batteries

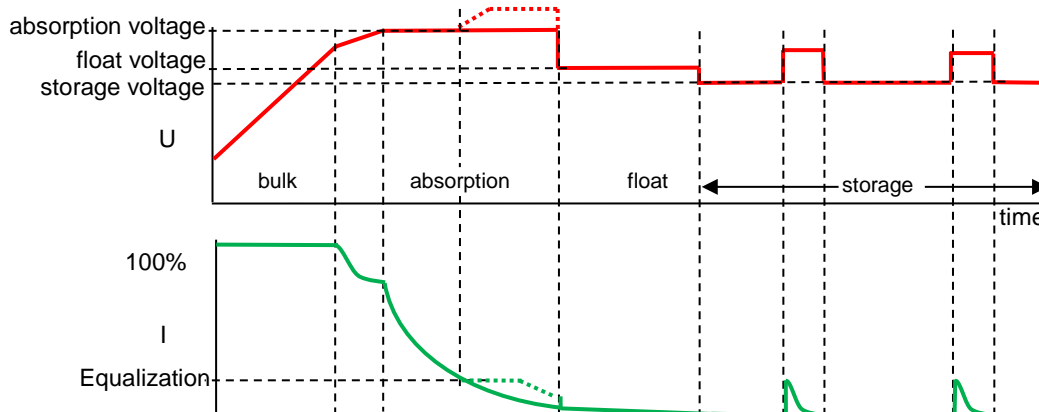


Figure 8

4.2.1. Bulk

Entered when the charger is started (DS-2 on and battery voltage <26V, or DS-2 off), or when the battery voltage falls below 26,4V (due to a heavy load) during at least 1 minute. Constant current is applied until gassing voltage is reached (28,8V for a 24V battery).

4.2.2. BatterySafe

If absorption voltage is set higher than 28,8V, the rate of voltage increase beyond 28.8V is limited to 14mV/minute, in order to prevent excessive gassing.

4.2.3. Absorption

After the absorption voltage has been reached, the charger operates in constant voltage mode.

In case of adaptive charging, the absorption time is dependent on the bulk time, see section 3.3.

4.2.4. Automatic equalization

If automatic equalization has been set to "on", the absorption period is followed by a second voltage limited constant current period: see section 3.3. This feature will charge VRLA batteries to the full 100%, and prevent stratification of the electrolyte in flooded batteries.

Alternatively, manual equalization can be applied.

4.2.5. Float

Float voltage is applied to keep the battery fully charged.

In case of adaptive charging, the float voltage time is dependent on the bulk time, see section 3.3.

4.2.6. Storage

After float charge the output voltage is reduced to storage level. This level is not sufficient to compensate for slow self-discharge of the battery, but will limit water loss and corrosion of the positive plates to a minimum when the battery is not used.

4.2.7. Weekly battery 'refresh'

Once a week the charger will enter Repeated Absorption-mode during one hour to 'refresh' (i. e. to fully charge) the battery.

4.3. Four stage charge curve for Lithium-Iron-Phosphate (LiFePo4) batteries

4.3.1. Bulk

Entered when the charger is started (DS-2 on and battery voltage <26V, or DS-2 off), or when the battery voltage falls below 26,7V (due to a heavy load) during at least 1 minute. Constant current is applied until absorption voltage is reached (28,4V for a 24V battery).

4.3.2. Absorption

After the absorption voltage has been reached, the charger operates in constant voltage mode. The recommended absorption time is 2 hours.

4.3.3. Storage

After absorption charge the output voltage is reduced to storage level. This level is not sufficient to compensate for slow self-discharge of the battery, but will maximize service life.

4.3.4. Weekly battery 'refresh'

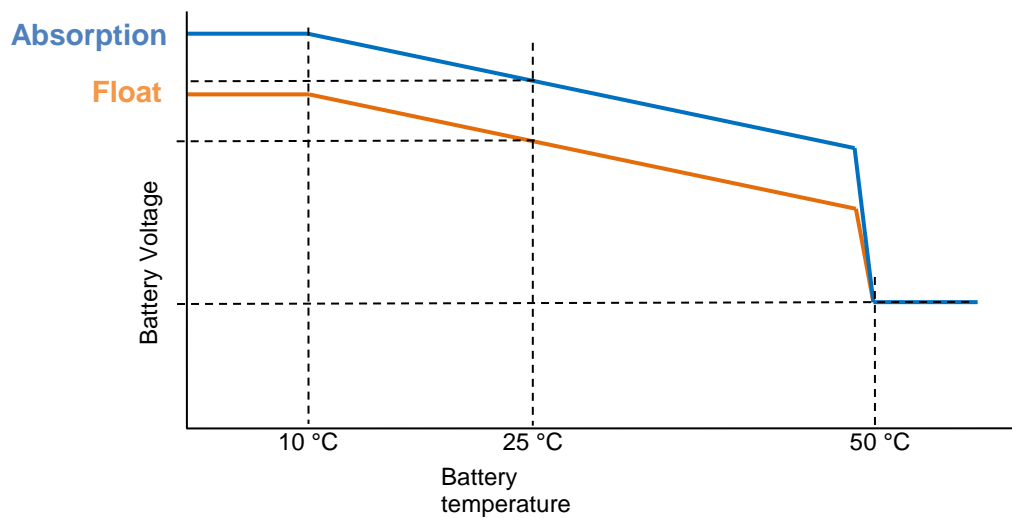
Once a week the charger will enter Repeated Absorption-mode during one hour to 'refresh' (i. e. to fully charge) the battery.

5. MAINTENANCE

This charger does not require any specific maintenance. However an annual check of the battery connections is recommended. Keep the charger dry, clean and free of dust.

6. TEMPERATURE COMPENSATION

Figure 7



7. TROUBLESHOOTING

General problems:

Problem	Possible cause	Solution
Charger does not function	The mains is not ok	Measure mains: 180 -265 VAC
	Input or output fuses are defective	Return product to your dealer
The battery is not fully charged	A bad battery connection	Check battery connection
	The battery select switch is in the wrong position	Select correct battery type with rotary switch
	Cable losses too high	Use cables with larger cross section. Use external voltage sensing
The battery is being overcharged	The battery select switch setting is switch is in the wrong position	Select correct battery type with rotary switch
	A battery cell is defective	Replace battery
Battery temperature too high	Overcharging or fast charging	Connect external temperature sensor
Failure led on (see also chapter 9)	Battery voltage too high (> 36 V)	Check all charging equipment Check cables and connections
	Bulk time too long (> 10 hrs)	Possible cell failure, or higher charge current needed
	Temperature in cabinet too high	Check air vents of cabinet Improve cooling of environment
Failure led blinks	CAN bus connection lost	Reconnect CAN bus or switch the charger off and back on if the CAN bus connection is no longer required

List of error codes as shown on remote control panels such as the Skylla-i Control and the Color Control:

Error code	Possible cause	Solution
Error 1: battery temperature too high	Overcharging or fast charging	Connect external temperature sensor
Error 2: battery voltage too high	Wiring mistake, or another charger is over charging	Check all charging equipment Check cables and connections
Error 3, 4 and 5: temp. sense error	Wiring mistake or temperature sensor broken	Check the temperature sensor wiring and if that doesn't help replace the temperature sensor
Error 6, 7, 8 and 9: voltage sense error	Wiring mistake	Check the voltage sensor wiring
Error 17: charger temperature too high	The heat generated by the charger cannot be removed	Check air vents of cabinet Improve cooling of environment
Error 18	Internal error	Contact Victron service
Error 20: charger bulk time expired	After 10 hours of bulk charging, the battery voltage has still not reached the absorption voltage	Possible cell failure, or higher charge current needed
Error 34: Internal error		Contact Victron service
Error 37: No input voltage (only for the three output version)	Mains removed or ac-input fuse blown	Check main availability and fuse
Error 65: charger disappeared during operation	One of the other chargers with which this charger was synchronizing has disappeared during operation	To clear the error, switch the charger off and back on
Error 66: Incompatible device	The charger is being paralleled to another charger that has different settings and/or a different charge algorithm	Make sure all settings are the same and update firmware on all chargers to the latest version
Error 67: BMS connection lost	Connection to the BMS lost.	Check the CAN bus cabling. When the charger needs to operate in stand-alone mode again, press the internal 'reset settings to factory defaults' button for 5 seconds.
Error 113, 114	Internal error	Contact Victron service
Error 115	Communication error	Check wiring and terminators
Error 116, 117	Internal error	Contact Victron service

8. SPECIFICATION

Skylla-i	24/80 (1+1)	24/80 (3)	24/100 (1+1)	24/100 (3)
Input voltage (VAC)	230V			
Input voltage range (VAC)	185-265V			
Input voltage range (VDC)	180-350V			
Maximum AC input current @ 180 VAC	16A		20A	
Frequency (Hz)	45-65Hz			
Power factor	0,98			
Charge voltage 'absorption' (VDC) (1)	28,8V			
Charge voltage 'float' (VDC)	27,6V			
Charge voltage 'storage' (VDC)	26,4V			
Charge current (A) (2)	80A	3 x 80A (max total output: 80A)	100A	3 x 100A (max total output: 100A)
Charge current starter batt. (A)	4A	n. a.	4	n. a.
Charge algorithm	7 stage adaptive			
Battery capacity (Ah)	400-800Ah		500-1000Ah	
Charge curve, Li-Ion	4 stage, with on-off control or CAN bus control			
Temperature sensor	Yes			
Can be used as power supply	Yes			
Remote on-off port	Yes (can be connected to a Li-Ion BMS)			
CAN bus communication port	Two RJ45 connectors, NMEA2000 protocol, galvanically isolated			
Synchronised parallel operation	Yes, with the CAN bus			
Remote alarm relay	DPST	AC rating: 240VAC/4A	DC rating: 4A up to 35VDC, 1A up to 60VDC	
Forced cooling	Yes			
Protection	Battery reverse polarity (fuse)		Output short circuit	Over temperature
Operating temp. range	-20 to 60°C (Full output current up to 40°C)			
Humidity (non-condensing)	max 95%			
ENCLOSURE				
Material & Colour	aluminium (blue RAL 5012)			
Battery-connection	M8 bolts			
230 VAC-connection	screw-clamp 10mm ² (AWG 7)			
Protection category	IP 21			
Weight kg (lbs)	7 (16)			
Dimensions h x w x d in mm (h x w x d in inches)	405 x 250 x 150 (16.0 x 9.9 x 5.9)			
STANDARDS				
Safety	EN 60335-1, EN 60335-2-29			
Emission	EN 55014-1, EN 61000-6-3, EN 61000-3-2			
Immunity	EN 55014-2, EN 61000-6-1, EN 61000-6-2, EN 61000-3-3			
1) Output voltage range 20-36V. Can be set with rotary switch or potentiometers.	2) Up to 40°C (100°F) ambient. Output will reduce to 80% at 50°C, and to 60% at 60°C.			

9. LED INDICATION

LED indication:

- on
- ⊗ blinking
- off

LEDs: O B A F S E = On Bulk Absorption Float Storage failure

LEDs	Skylia-i						Panel			
	O	B	A	F	S	E	B	A	F	E
Bulk	●	●	○	○	○	○	●	○	○	○
BatterySafe (dU/dt)	●	●	●	○	○	○	●	●	○	○
Absorption	●	○	●	○	○	○	○	●	○	○
Automatic equalization (DS-1 on)	●	○	●	●	○	○	○	●	●	○
Float	●	○	○	●	○	○	○	○	●	○
Storage	●	○	○	○	●	○	○	○	⊗	○
Repeated absorption	●	○	●	○	●	○	○	●	⊗	○
Manual equalization (*1)	●	⊗	⊗	○	○	○	⊗	⊗	○	○
Power supply mode	●	●	●	●	●	○	●	●	●	○

(*1) Blink alternating

Fault situations

LEDs	O	B	A	F	S	E
Battery temperature sensor	●	○	⊗	⊗	○	●
Battery sense wires	●	⊗	⊗	○	○	●
Bulk time protection (10hrs)	●	⊗	○	○	○	●
Charger temperature too high	●	⊗	⊗	⊗	⊗	●
Charger over-current	●	⊗	○	○	⊗	●
Charger over-voltage	●	○	⊗	○	⊗	●
BMS connection lost	●	○	○	⊗	⊗	●
Internal error	●	⊗	⊗	⊗	○	●

(e.g. calibration data lost)

Note: LEDs blink synchronously
The panel lights the error led and displays the error code.

2. INSTALACIÓN Y CABLEADO

2.1. Instalación

Instale el cargador Skylla y la batería en un lugar seco y bien ventilado. El cable entre el cargador y la batería no deberá exceder los 6 metros de longitud.

El cargador puede montarse en la pared o en el suelo. El montaje vertical mejora la circulación de aire en el interior de la carcasa del cargador, prolongando la vida útil del mismo.

Montaje en pared

La mejor forma de montar la unidad en la pared es mediante la placa de montaje suministrada. En primer lugar se ha de fijar dicha placa a la pared para, a continuación, colgar el cargador de la misma. Entonces, se procederá a inmovilizar el cargador mediante la instalación de dos tornillos en la parte inferior trasera del cargador. De esta manera el cargador queda completamente afianzado.

Cableado

Las entradas del cable de alimentación, de la batería, de las funciones remotas y del cable de tierra están situadas en la parte inferior de la carcasa; consulte Figure 1 para los modelos de dos salidas, y la figura 3 para los modelos de tres salidas.

Figura 5 Vista de la parte inferior de la carcasa que muestra las entradas de cables: modelos de dos salidas

1. Cable de red
2. Conexiones para dispositivos remotos
3. Batería de arranque
4. Batería principal
5. Toma de conexión a tierra

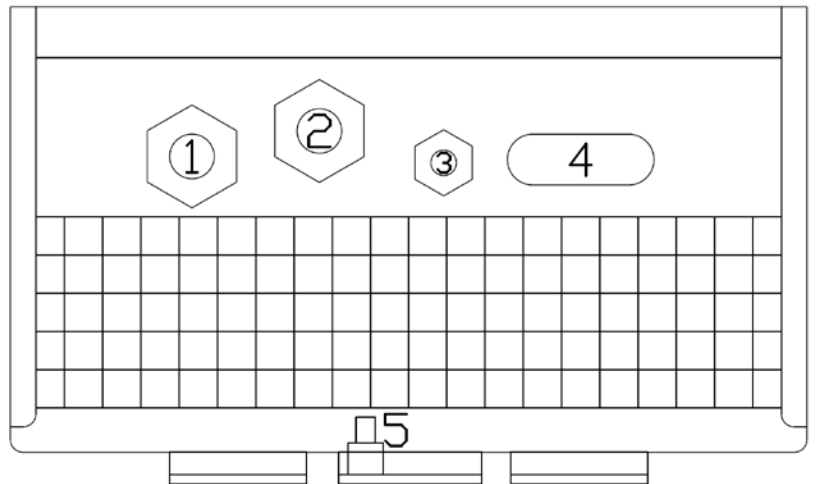
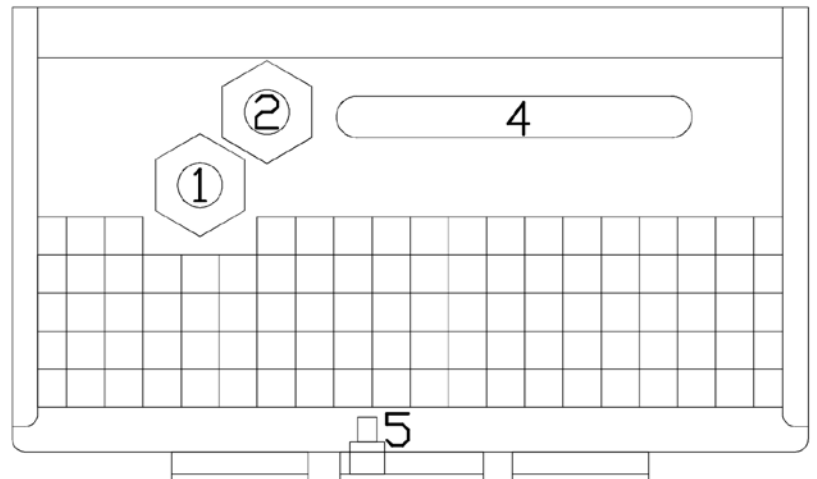


Figura 2: Vista de la parte inferior de la carcasa que muestra las entradas de cables: modelos de tres salidas

1. Cable de red
2. Conexiones para dispositivos remotos
3. (no corresponde)
4. Baterías principales
5. Toma de conexión a tierra



Conexión a tierra

Conecte el terminal de tierra (5) a un punto de tierra real. Las conexiones a tierra deben realizarse según las normas de seguridad pertinentes.

- En una embarcación: conecte (5) a la placa de masa o al casco de la embarcación.
- En tierra: conecte (5) a la tierra de la red eléctrica. La conexión a la tierra de la red eléctrica debe realizarse según las normas de seguridad pertinentes.
- Aplicaciones móviles (un vehículo, un coche o una caravana): Conecte (5) al chasis del vehículo.

Las conexiones del cargador para la batería son totalmente flotantes con respecto a este punto de puesta a tierra.

2.2. Conexión de las baterías

Sección de cable recomendada:


Tipo Skylla-i	longitud de cable hasta 1,5m.	longitud de cable de 1,5m a 6m
24/80 (1+1)	25 mm ²	35 mm ²
24/80 (3)	25 mm ² para cada batería	35 mm ² para cada batería
24/100 (1+1)	35 mm ²	50 mm ²
24/100 (3)	35 mm ² para cada batería	50 mm ² para cada batería

2.2.1. Conexión de la batería de arranque

La batería de arranque debe conectarse utilizando cable de al menos 2,5 mm².


Conecte el polo positivo (+) de la batería al conector "Starter battery plus" (positivo de la batería de arranque), ver figura 2.

2.2.2. Secuencia de conexión de la batería




The Skylla is NOT protected against reverse battery polarity. ("+" connected to "-" and "-" connected to "+"). Follow the installation procedure. The warranty expires when the Skylla becomes defective due to reverse polarity.

WARNING



The on/off switch at the front of the cabinet does not switch off the mains supply.

CAUTION




Disconnect the mains supply before making or breaking connections to the battery.

CAUTION

1. Desconecte la alimentación de red.
2. Desconecte los cables de batería de la batería.
3. Retire el panel frontal del cargador.
4. Conecte los cables de batería al cargador.
5. Conecte los cables de batería a la batería.

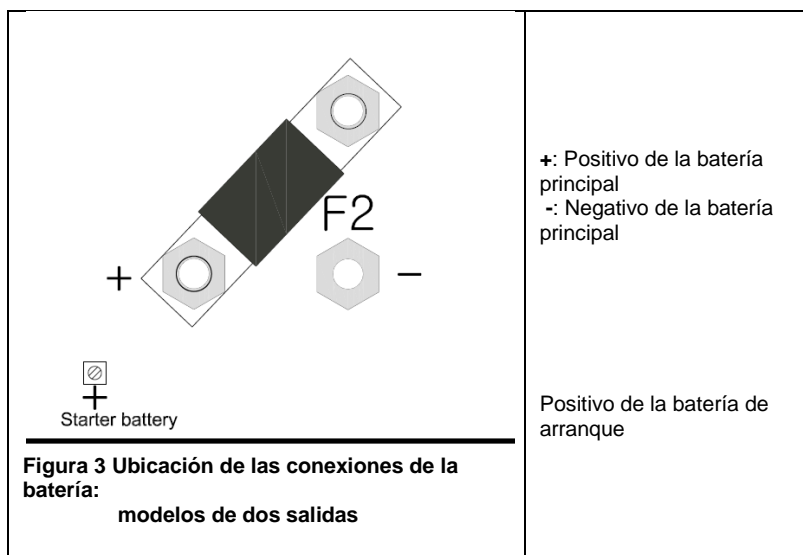
2.2.3 Secuencia de desconexión de la batería



When disconnecting the battery cables, be very careful not to accidentally short circuit the battery.

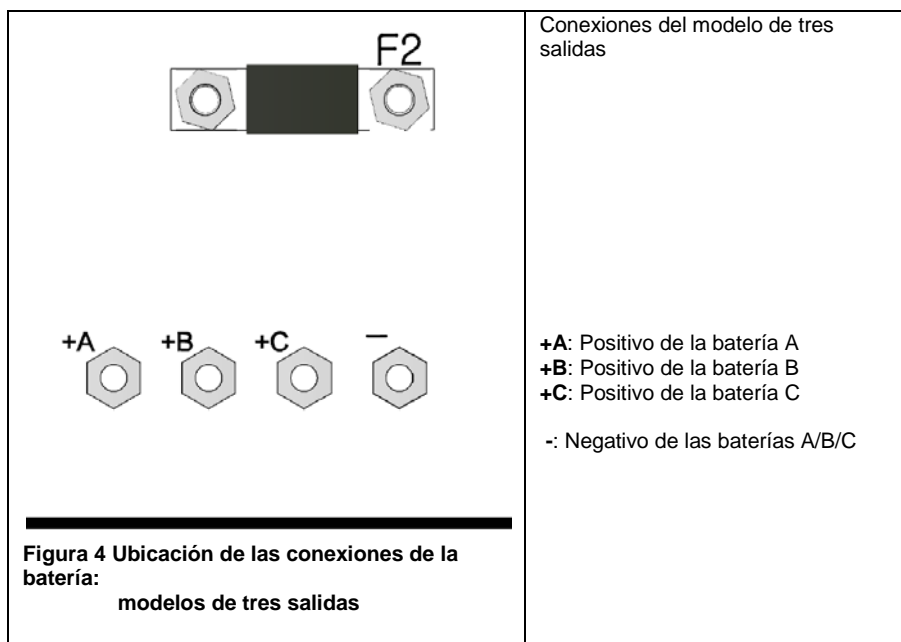
WARNING

1. Apague el cargador.
2. Desconecte la alimentación de red.
3. Desconecte los cables de batería de la batería.
4. Retire el panel frontal del cargador.
5. Desconecte el cable negativo de la batería.
6. Desconecte el cable positivo de la batería.
7. Desconecte todos los demás cables, como el sensor de temperatura y/o el sensor de tensión utilizado con esta batería en particular.



Nota:

La batería de arranque puede utilizar corriente de la batería conectada a los terminales de la batería principal en caso de que la tensión de aquella sea inferior a la de esta. Sin embargo, la batería principal no podrá utilizar corriente de la batería de arranque aun cuando la batería de arranque estuviese completamente cargada y la principal en su nivel mínimo.



2.3. Otras opciones

El cableado de estas señales debe llevarse a cabo con la alimentación de red desconectada del cargador.

TERMINAL DE CONEXIÓN PARA SENSORES EXTERNOS, INTERRUPTOR Y RELÉ

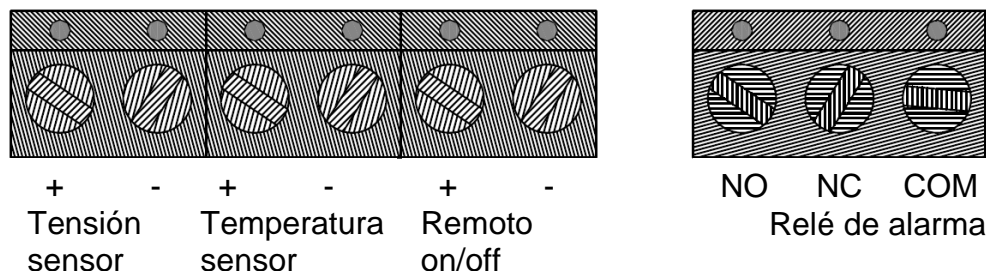


Figura 5 Terminal de conexión

2.3.1. Sensor de tensión externa (ver figura 3)

La detección de la tensión externa puede ser útil cuando es importante conocer con precisión la tensión de la batería, como cuando se combinan unas altas corrientes de carga con unos cables largos.

Para conectar el sensor de tensión externa, haga lo siguiente:

- conecte un cable rojo (0,75 mm²) entre el borne positivo de la batería y el conector "+" del sensor de tensión"
- conecte un cable negro (0,75 mm²) entre el borne negativo de la batería y el conector "-" del sensor de tensión"
- compruebe que el LED correspondiente esté encendido, y si no lo estuviera, compruebe el cableado

2.3.2. Sensor de temperatura externa.

El sensor de temperatura externa, suministrado con el cargador, puede conectarse a estos terminales para llevar a cabo una carga compensada por temperatura de la batería. El sensor está aislado eléctricamente y debe conectarse al terminal negativo de la batería.

Para conectar el sensor de temperatura, haga lo siguiente:

- conecte el cable rojo al conector "+" correspondiente al sensor de temperatura
- conecte el cable negro al conector "-" correspondiente al sensor de temperatura
- monte el sensor de temperatura en el terminal negativo de la batería
- compruebe que el LED correspondiente esté encendido, y si no lo estuviera, compruebe el cableado

2.3.3. Interruptor on/off remoto

El cableado del interruptor remoto necesita una atención especial. Debido a que la entrada es muy sensible, se aconseja utilizar cables de par trenzado para esta conexión.

La entrada para el on/off remoto también puede conectarse a un optoacoplador con salida en colector abierto: la tensión del circuito abierto es de 3 V y la corriente del circuito cerrado es de 100 µA.

Cuando no haya ningún interruptor remoto conectado, los terminales del mismo deben cortocircuitarse con un cable corto.

La entrada On/Off remota puede conectarse a un sistema de gestión de baterías de litio VE.Bus BMS (salida "desconexión del cargador") con un cable On/Off remoto para Skylla-i (ref: ASS030550400).

2.3.4. Conexiones del relé de la alarma.

El relé de la alarma se dispara en caso de subtensión de la batería (<23,8 V) Esta función puede utilizarse con distintas finalidades: arrancar un generador, disparar una alarma, etc.

2.3.5. Conexión CAN Bus (VE.Can)

Los conectores CAN Bus (RJ45) proporcionan acceso de control (panel de control remoto Skylla-i, Color Control GX o NMEA 2000). Los dos conectores RJ45 de cada cargador (ver figura 7) están conectados en paralelo. Por lo tanto, no hay diferencia funcional entre estos conectores.

El final de un cable CAN debería tener un terminador de bus. Esto se consigue insertando un terminador de bus en uno de los dos conectores RJ45 y el cable CAN en el otro. En caso de haber un nodo (dos cables CAN, uno en cada conector RJ45), no es necesario ninguna terminación.

Pueden conectarse varios paneles de control Skylla-i a un cargador o a un conjunto de cargadores sincronizados y conectados en paralelo.

Se puede conectar un Lynx Ion a un cargador Skylla-i directamente a través del VE.Can Bus, la condición "permiso de carga" se comunicará a través de VE.Can bus automáticamente; no se necesita ningún cableado por separado.

2.3.6. Funcionamiento en paralelo sincronizado

Con la interfaz CAN pueden sincronizarse varios cargadores. Esto se consigue interconectando los cargadores con cables RJ45 UTP (son necesarios terminadores de bus; ver sección 2.3.5).

Los cargadores conectados en paralelo deben tener idéntica configuración en sus interruptores DIP y en sus interruptores giratorios.

Es posible conectar en paralelo una combinación de cargadores Skylla-i 100A y 80A.

No se pueden conectar en paralelo cargadores de dos salidas y de tres salidas entre sí.

Con el panel de control Skylla-i puede ajustarse el límite de la corriente de red del grupo de cargadores conectados en paralelo.

El límite de la corriente, tal y como se muestra en el panel, es la corriente de red del grupo.

La corriente de salida de uno de los cargadores puede ser distinta de la de los otros cargadores, a pesar de estar conectados en paralelo.

Si se desconecta uno de los cargadores conectados en paralelo, el LED de fallo parpadeará en todas las unidades que estaban funcionando en paralelo. Para solucionarlo, puede volver a conectar el cargador desconectado o bien apagar y volver a encender las unidades restantes.

En caso de estar utilizando sensores remotos (tensión y/o temperatura), es necesario conectar el sensor remoto a uno de los cargadores que trabajan en paralelo. Todos los demás cargadores compartirán la información por medio de la interfaz CAN. El LED verde del cargador que tenga el sensor conectado a él estará encendido de manera permanente, mientras que en los otros cargadores parpadeará el LED correspondiente.

En caso de estar en funcionamiento sincronizado en paralelo, el LED “ON” parpadeará cada 3 segundos en todas las unidades conectadas en paralelo.

2.3.7 Conexión de la red eléctrica (ver figura 4)

1. Compruebe si la batería está conectada al cargador.
2. Retire el panel frontal del cargador de la batería para acceder al conector de entrada CA.
3. Conecte el cable de tierra (PE) de la red (verde/amarillo) al terminal PE del conector de entrada CA, ubicado en la placa de circuito, verFigure
4. Conecte el cable neutro de la red (azul) al terminal N del conector de entrada CA.
5. Conecte el cable de alimentación de la red (marrón) al terminal L del conector de entrada CA.
6. **Seleccione la curva de carga correcta antes de aplicar la corriente CA (ver sección 3).**

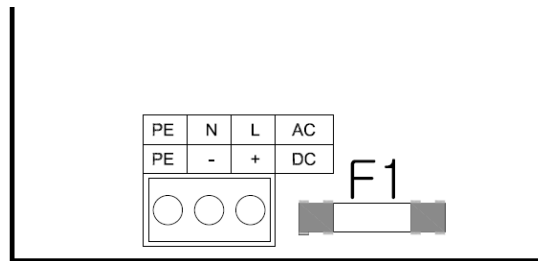


Figura 6 Conexión del cable de alimentación de red

3. CONTROL Y CONFIGURACIÓN

Una vez correctamente instalado el cargador, y antes de aplicar la corriente de red, el cargador deberá configurarse según la batería conectada.

Nota sobre los modelos con tres salidas: todos los ajustes se aplican a las tres salidas de forma simultánea

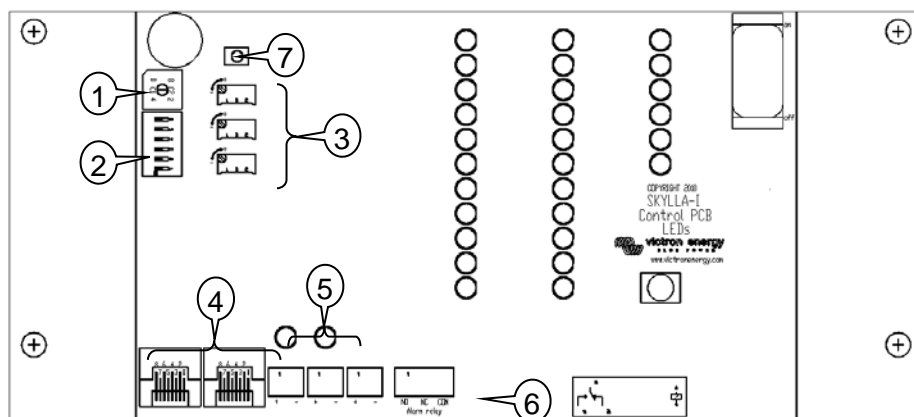


Figura 7 Controles y conexiones internos

La placa de control esta dotada de distintos interruptores y conectores que facilitan al usuario las siguientes opciones:

1. Interruptor giratorio para seleccionar el tipo de batería.
2. Interruptor DIP para configurar diversas opciones.
3. Ajuste fino de la corriente y la tensión para la posición 8 del interruptor giratorio (y sólo tensión para la posición 9).
4. Conexión CAN Bus (RJ45).
5. Indicadores de conexión correcta de los sensores de tensión y temperatura.
6. Terminal de conexión para sensores externos, interruptor y relé.
7. Restablecer los ajustes de fábrica (pulsar durante 5 segundos).

3.1. Interruptor giratorio

El interruptor giratorio ofrece al usuario una selección de tipos preconfigurados de batería para su carga. Ver tabla más abajo.

Aviso: las tensiones de carga mostradas más abajo son sólo orientativas. Consulte siempre las tensiones de carga correctas con el proveedor de las baterías.

Pos	Descripción	Absorción	Flotación	Almacenamiento	Ecuilibración	dV/dT
		V	V	V	maxV@% de Inom	mV/°C
0	No utilice					
1	Gel Victron Long Life (OPzV) Gel Exide A600 (OPzV) Gel MK	28,2	27,6	26,4	31,8@8% máx. 1 h	-32
2	Valores predeterminados Gel Victron Deep Discharge, Gel Exide A200 AGM Victron Deep Discharge Placa tubular estacionaria (OPzS) Rolls Marine (inundada), Rolls Solar (inundada)	28,8	27,6	26,4	32,4@8% máx. 1 h	-32
3	AGM Placa en espiral Rolls AGM	29,4	27,6	26,4	33,0@8% máx. 1 h	-32
4	Baterías de tracción de placa tubular PzS o baterías OPzS en modo cíclico 1	28,2	27,6	26,4	31,8@25% máx. 4 h	-32
5	Baterías de tracción de placa tubular PzS o baterías OPzS en modo cíclico 2	28,8	27,6	26,4	32,4@25% máx. 4 h	-32
6	Baterías de tracción de placa tubular PzS o baterías OPzS en modo cíclico 3	30,0	27,6	26,4	33,6@25% máx. 4 h	-32
7	Baterías de fosfato de hierro y litio (LiFePo₄)	28,4	n. a.	26,7	n. a.	0
8	Ajustable: la corriente máxima de carga y las tensiones de absorción y flotación pueden ajustarse mediante potenciómetros	Ajust.	Ajust.	26,4	(Vabs. + 3,6)@25% máx. 4 h	-32
9	Modo fuente de alimentación	24,0	n. a.	n. a.	n. a.	0

3.2. Interruptores DIP

Los interruptores DIP están numerados del 6 al 1, **de arriba abajo**.

Valores predeterminados:

DS-6 Protección de carga inicial
 DS-5 Tiempo de absorción
 DS-4 Tiempo de absorción
 DS-3 Adaptativa
 DS-2 Observación
 DS-1 Ecuilización automática

on
off
on
on
on
off

3.3. Explicación de los ajustes:

DS-6. Protección de carga inicial ("bulk") Al activar este DIP, el LED de fallo se encenderá y el cargador se detendrá cuando el tiempo de "carga inicial" exceda las 10 horas.

DS-5 y DS-4. Tiempo de absorción. La combinación de los interruptores 5 y 4 establece el tiempo máximo de absorción en caso de carga adaptativa, y un tiempo fijo en caso de que el modo adaptativo haya sido desactivado (DS-3)

DS-5	DS-4	Tiempo de absorción
Off	Off	2 h (aconsejado para baterías LiFePo ₄)
On	Off	4 h
Off	On	8 h (por defecto)
On	On	12 h

DS 3. Adaptativo. Al activar este DIP, los tiempos de absorción y de flotación dependen del tiempo de carga inicial (con el tiempo máximo fijado por DS-5 y DS-4).

Las relaciones son las siguiente:

Tiempo de absorción = (tiempo de carga inicial)*20 con un mínimo de 30 min y un máximo fijado por DS-5 y DS-4.

Tiempo de flotación = (tiempo de carga inicial)*20 con un mínimo de 4 h y un máximo de 8 h.

DS-2. Observación. Cuando el DS-2 se activa, al encender el cargador se comprueba la tensión de la batería. Si la tensión excede los 26V, el cargador considerará que la batería está completamente cargada y se iniciará en modo de almacenamiento. Si la tensión es inferior, el cargador se iniciará en modo de carga inicial.

Cuando DS-2 está desactivado, el cargador siempre se iniciará en modo de carga inicial.

DS-1. Ecuación automática. Cuando DS-1 está activado, la carga de absorción irá seguida de un periodo de corriente constante con tensión limitada (ver tabla). El LED amarillo "abs" parpadeará durante la ecuación.

La corriente está limitada al 8% de la corriente de carga inicial para todas las baterías VRLA (Gel o AGM) y algunas baterías inundadas, y al 25% para todas las baterías de placas tubulares. La corriente de carga inicial es la corriente nominal del cargador (80A o 100A), a menos que se haya elegido un ajuste inferior (la corriente de carga puede reducirse con el potenciómetro de ajuste de corriente y el interruptor giratorio en la posición 8, o con el interfaz Bus CAN).

Si, como recomienda la mayoría de fabricantes de baterías, la corriente de carga inicial es de unos 20A para una capacidad de batería de 100Ah (esto es, 500Ah para un cargador de 100A), el límite del 8% se convierte en 1,6A por 100Ah de capacidad de la batería, y el límite del 25% se convierte en 5A por 100Ah de capacidad.

En el caso de las baterías VRLA y de algunas baterías inundadas (posiciones 1, 2 ó 3 del interruptor giratorio), la ecuación automática termina cuando se alcanza el límite de tensión maxV, o después de $t = (\text{tiempo de absorción})/8$, lo que ocurra primero.

Para todas las baterías de placas tubulares, la ecuación termina después de $t = (\text{tiempo de absorción})/2$.

Aviso

Algunos fabricantes de baterías recomiendan un periodo de ecuación de corriente constante, y otros no. No utilice la ecuación de corriente constante a menos que lo recomiende el proveedor de baterías.

Posición 8 del interruptor giratorio: potenciómetros para ajuste manual

Estos potenciómetros permiten ajustar los niveles de (de arriba abajo):

- corriente de carga inicial (de 0A a 100A para un cargador de 100A)
- tensión de absorción (de 11,5V a 30V)
- tensión de flotación (de 11,5V a 30V)

Compruebe que los valores aumentan al girar el potenciómetro hacia la derecha. Para mayor comodidad de ajuste, el cargador saltará automáticamente al modo apropiado tan pronto como detecte un cambio en la posición de un potenciómetro. Una vez satisfecho con los ajustes, reinicie el cargador, que realizará la secuencia de carga normal utilizando los nuevos ajustes.

Versión de software 2.01 y superior: mientras se realiza el ajuste, las barras LED (parpadeantes) indicarán la corriente y la tensión del Skylla-i, además de mostrarse en la pantalla (parpadeante) del panel de control del mismo.

Posición 9 del interruptor giratorio: Modo de fuente de alimentación CC

Se puede configurar el cargador para que funcione como fuente de alimentación CC.

En este modo, el cargador funcionará como fuente de tensión constante, con una salida máxima de corriente de 80 resp. 100A. Por defecto, la tensión de salida es de 24V. Si fuese necesario se puede cambiar este valor ajustando el potenciómetro de tensión de absorción (de 11,5V a 30V). Una vez satisfecho con los nuevos ajustes, apague el cargador utilizando el interruptor principal ON/OFF y se guardarán los cambios realizados en el nivel de tensión.

Versión de software 2.01 y superior: mientras se realiza el ajuste, las barras LED (parpadeantes) indicarán la tensión del Skylla-i, además de mostrarse en la pantalla (parpadeante) del panel de control del mismo.

3.4. Compensación de temperatura

El sensor de temperatura debe conectarse al terminal negativo de la batería.

La compensación de temperatura está establecida en $-32\text{mV}/^\circ\text{C}$ para todas las baterías de plomo-ácido (ver tabla y fig. 7), y para todos los estados de carga.

El sensor de temperatura deberá estar instalado cuando:

- la temperatura ambiente de la batería esté normalmente por debajo de los 15°C o exceda los 30°C
- la corriente de carga exceda los 15A por 100Ah de capacidad de la batería

La compensación de temperatura no es necesaria para las baterías Li-Ion.

3.5. Función de ecuación manual

Con el botón de ecuación de la parte frontal, el cargador sólo podrá ponerse en modo de ecuación durante los periodos de absorción y flotación. Si el cargador está en modo de carga inicial, la ecuación no es posible.

Para activar la ecuación, pulse el botón de ecuación durante tres segundos. Los LED amarillos "abs" y "bulk" se alternarán durante la ecuación.

Los límites de corriente y tensión son idénticos a los de la función de ecuación automática (ver sección 3.3). Sin embargo, la duración de la ecuación está limitada a un máx. de 1h cuando se activa manualmente.

3.6. PowerControl – máximo uso de la corriente de red cuando ésta es limitada

Se puede configurar una corriente de entrada máxima para evitar que salte la alimentación de red.

Este ajuste sólo está disponible con el panel de control Skylla-i, o con el panel Color Control GX.

4. FUNCIONAMIENTO

4.1. Carga de la batería

Tras conectar la alimentación de red y encender la unidad:

- todos los LED se encenderán durante dos segundos
- después, el LED verde permanecerá encendido para indicar que la unidad está activada
- el estado de la carga se indica mediante la iluminación de uno o más de los cuatro LED amarillos
- la salida real de tensión y de corriente quedará indicada por las correspondientes barras LED rojas
- los ventiladores internos podrían activarse, según la temperatura del interior de la carcasa (temperatura controlada)

En caso de encenderse el LED rojo, consulte la sección 6.

4.2. Curva de carga de siete etapas para baterías de plomo-ácido

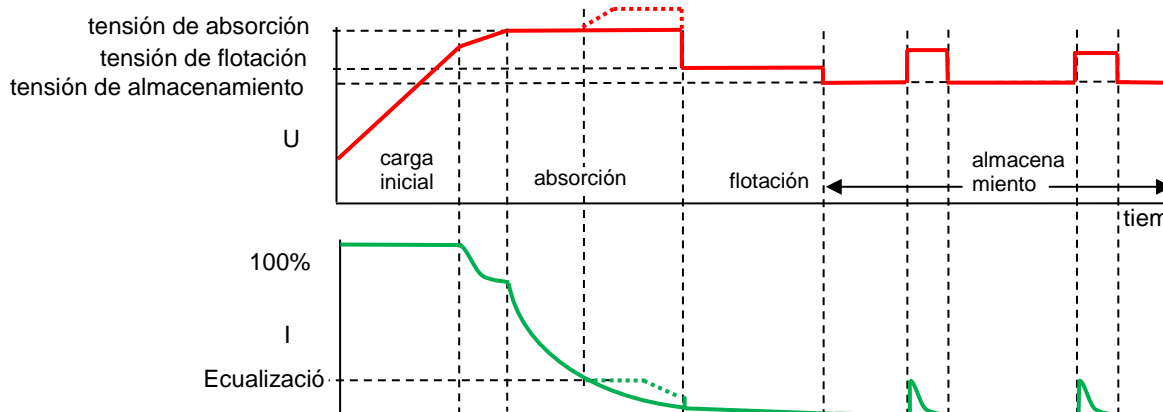


Figura 8

4.2.1. Carga inicial

Se introduce al arrancar el cargador (DS-2 "On" y tensión de batería <math><26\text{V}</math>, o DS-2 "Off"), o cuando la tensión de la batería cae por debajo de

4.2.2. BatterySafe

Si la tensión de absorción se establece por encima de los

4.2.3. Absorción

Una vez alcanzada la tensión de absorción, el cargador funcionará en modo de tensión constante. En caso de carga adaptativa, el tiempo de absorción dependerá del tiempo de carga inicial, ver sección 3.3.

4.2.4. Ecualización automática

Si la ecualización automática ha sido activada, al periodo de absorción le seguirá un segundo periodo de corriente constante limitada por la tensión: ver sección 3.3. Esta función cargará las baterías VRLA al 100% y evitará la estratificación del electrolito en las baterías inundadas.

Alternativamente, se podrá llevar a cabo una ecualización manual.

4.2.5. Flotación

La tensión de flotación se aplica para mantener la batería completamente cargada. En caso de carga adaptativa, el tiempo de flotación dependerá del tiempo de carga inicial, ver sección 3.3.

4.2.6. Almacenamiento

Después de la carga de flotación, se reduce la tensión de salida a nivel de almacenamiento. Este nivel no es suficiente para compensar la lenta autodescarga de la batería, pero limitará la pérdida de agua y la corrosión de las placas positivas al mínimo cuando la batería no esté en uso.

4.2.7. "Refresco" semanal de la batería

Una vez a la semana el cargador entrará en modo de absorción repetida durante una hora para "refrescar" la batería (esto es, para cargarla completamente).

4.3. Curva de carga de cuatro etapas para baterías de fosfato de hierro y litio (LiFePo4)

4.3.1. Carga inicial

Se introduce al arrancar el cargador (DS-2 "On" y tensión de batería <26V, o DS-2 "Off"), o cuando la tensión de la batería cae por debajo de 26,7V (debido a la intensidad de la carga) durante al menos 1 minuto. Se aplica una corriente constante hasta alcanzar la tensión de absorción (28,4V para una batería de 24V).

4.3.2. Absorción

Una vez alcanzada la tensión de absorción, el cargador funcionará en modo de tensión constante. El tiempo de absorción recomendado es de 2 horas.

4.3.3. Almacenamiento

Después de la carga de absorción, se reduce la tensión de salida a nivel de almacenamiento. Este nivel no es suficiente para compensar la lenta autodescarga de la batería, pero maximizará su vida útil.

4.3.4. "Refresco" semanal de la batería

Una vez a la semana el cargador entrará en modo de absorción repetida durante una hora para "refrescar" la batería (esto es, para cargarla completamente).

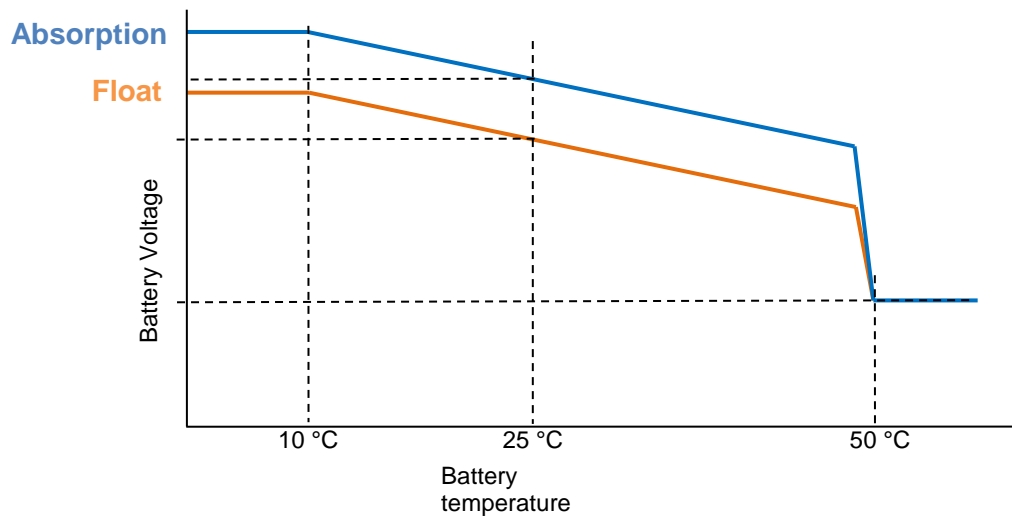
5. MANTENIMIENTO

El cargador no necesita un mantenimiento específico. Sin embargo, se recomienda realizar una inspección anual de las conexiones de la batería.

Mantenga el cargador seco, limpio y sin polvo.

6. COMPENSACIÓN DE TEMPERATURA

Figura 7



7. RESOLUCIÓN DE PROBLEMAS

Problemas en general:

Problema	Causa posible	Solución
El cargador no funciona	La red eléctrica no funciona	Mida la red eléctrica: 180-265 VAC
	Los fusibles de entrada o salida están defectuosos	Devuelva el producto a su distribuidor
La batería no está completamente cargada	Conexión defectuosa de la batería	Compruebe las conexiones de la batería
	El interruptor de selección de baterías está en la posición equivocada	Seleccione el tipo de batería correcta con el interruptor giratorio
	Las pérdidas por cable son demasiado altas	Utilice cables de mayor sección. Utilice el sensor de tensión externa
Se está sobrecargando la batería	El interruptor de selección de baterías está en la posición equivocada	Seleccione el tipo de batería correcta con el interruptor giratorio
	Una celda de la batería está defectuosa	Sustituya la batería
Temperatura de la batería demasiado alta	Sobrecargando o cargando rápidamente	Conecte un sensor de temperatura externa.
El LED de fallo está encendido (ver también capítulo 9)	Tensión de la batería demasiado alta (> 36 V)	Compruebe todo el equipo de carga Compruebe los cables y conexiones
	Tiempo de carga inicial demasiado largo (> 10 h)	Posible fallo en las celdas, o se necesita una mayor corriente de carga
	Temperatura dentro de la carcasa demasiado alta	Compruebe los respiraderos de la carcasa Mejore la refrigeración del entorno
El LED de fallo parpadea	Conexión CAN Bus perdida	Reconectar el CAN Bus o apagar y volver a encender el cargador si la conexión CAN Bus ya no es necesaria.

Listado de códigos de error según se muestra en los paneles de control como el Skylla-i Control y el Color Control:

Código de error	Causa posible	Solución
Error 1: Temperatura de la batería demasiado alta	Sobrecargando o cargando rápidamente	Conecte un sensor de temperatura externa.
Error 2: Tensión de la batería demasiado alta	Error de cableado, u otro cargador está sobrecargando	Compruebe todo el equipo de carga Compruebe los cables y conexiones
Errores 3, 4 y 5: error del sensor de temp.	Error de cableado o sensor de temperatura averiado	Compruebe el cableado del sensor de temperatura y, si no fuera esa la causa, sustituya el sensor de temperatura
Errores 7, 8 y 9: error del sensor de tensión	Error de cableado	Compruebe el cableado del sensor de tensión
Error 17: Temperatura del cargador demasiado alta	No se puede eliminar el calor generado por el cargador	Compruebe los respiraderos de la carcasa Mejore la refrigeración del entorno
Error 18	Error interno	Póngase en contacto con Victron
Error 20: el tiempo de carga inicial del cargador ha expirado	Tras 10 horas de carga inicial, la tensión de la batería todavía no ha alcanzado la tensión de absorción	Posible fallo en las celdas, o se necesita una mayor corriente de carga
Error 34: Error interno		Póngase en contacto con Victron
Error 37: No hay tensión de entrada (sólo para la versión de tres salidas)	Se ha desconectado la alimentación de red o se ha fundido el fusible de entrada CA	Compruebe la alimentación de red y el fusible
Error 65: cargador desaparecido durante el funcionamiento	Uno de los otros cargadores con los que este cargador estaba sincronizado ha desaparecido durante el funcionamiento	Para eliminar el error, apague y vuelva a encender el cargador
Error 66: Dispositivo incompatible	El cargador ha sido conectado en paralelo con otro cargador que tiene distinta configuración y/o distinto algoritmo de carga	Asegúrese de que todos los ajustes son iguales y actualice a la última versión el firmware de todos los cargadores
Error 67: Conexión perdida con el BMS.	Se ha perdido la conexión con el BMS.	Compruebe el cableado del CAN bus. Cuando sea necesario que el cargador vuelva a funcionar en modo autónomo, pulse el botón interno "restablecer ajustes de fábrica" durante 5 segundos.
Error 113, 114	Error interno	Póngase en contacto con Victron
Error 115	Error de comunicación	Compruebe el cableado y los terminadores
Errores 116, 117	Error interno	Póngase en contacto con Victron

8. ESPECIFICACIONES

Skylla-i	24/80 (1+1)	24/80 (3)	24/100 (1+1)	24/100 (3)
Tensión de entrada (VCA)	230 V			
Rango de tensión de entrada (VCA)	185-265 V			
Rango de tensión de entrada (VCC)	180-350 V			
Corriente máxima de entrada CA a 180 VCA	16 A		20 A	
Frecuencia (Hz)	45-65 Hz			
Factor de potencia	0,98			
Tensión de carga "absorción" (VCC) (1)	28,8 V			
Tensión de carga "flotante" (VCC)	27,6 V			
Tensión de carga de "almacenamiento" (VCC)	26,4 V			
Corriente de carga (A) (2)	80 A	3 x 80 A (salida total máxima: 80A)	100 A	3 x 100 A (salida total máxima: 100A)
Corriente de carga de batería de arranque (A)	4 A	n. a.	4	n. a.
Algoritmo de carga	Adaptativo en 7 fases			
Capacidad de la batería (Ah)	400-800 Ah		500-1000 Ah	
Curva de carga, Li-Ion	4 fases, con control on-off o control CAN bus			
Sensor de temperatura	Sí			
Puede utilizarse como fuente de alimentación	Sí			
Puerto remoto on-off	Sí (puede conectarse a un BMS Li-Ion)			
Puerto de comunicación CAN bus	Dos conectores RJ45, protocolo NMEA200, aislado galvánicamente			
Funcionamiento sincronizado en paralelo	Sí, con el CAN bus			
Relé remoto de alarma	DPST valor nominal CA: 240VAC/4A valor nominal: 4A hasta 35VDC, 1A hasta 60VDC			
Refrigeración forzada	Sí			
Protección	Inversión de la polaridad de la batería (fusible)		Cortocircuito de salida	Sobrettemperatura
Rango de temp. de funcionamiento	-20 a 60°C (potencia completa hasta los 40°C)			
Humedad (sin condensación)	máx. 95%			
CARCASA				
Material y color	aluminio (azul RAL 5012)			
Conexión de la batería	Pernos M8			
Conexión 230 VCA	Abrazadera de tornillo de 10mm ² (AWG 7)			
Tipo de protección	IP 21			
Peso en kg. (lbs)	7 kg (16 lbs)			
Dimensiones (al x an x p en mm.) (al x an x p en pulgadas)	405 x 250 x 150 mm (16,0 x 9,9 x 5,9 pulgadas)			
ESTÁNDARES				
Seguridad	EN 60335-1, EN 60335-2-29			
Emisiones	EN 55014-1, EN 61000-6-3, EN 61000-3-2			
Inmunidad	EN 55014-2, EN 61000-6-1, EN 61000-6-2, EN 61000-3-3			
1) Rango de tensión de salida 20-36V. Puede ajustarse con el interruptor giratorio o con potenciómetros.	2) Hasta 40 °C (100°F) ambiente La salida se reducirá hasta el 80% a 5°C, y hasta el 60% a 6°C.			

EN

NL

FR

DE

ES

Appendix

9. INDICACIONES DE LOS LED

LED de estado normal:

- encendido
- ⊙ parpadeando
- apagado

LED: O B A F S E = "On" (O), Carga inicial (B), Absorción (A), Flotación (F), Almacenamiento (S), Fallo (E)

LED	Skylia-i						Panel			
	O	B	A	F	S	E	B	A	F	E
Carga inicial	●	●	○	○	○	○	●	○	○	○
BatterySafe (dU/dt)	●	●	●	○	○	○	●	●	○	○
Absorción	●	○	●	○	○	○	○	●	○	○
Ecuilibración automática (DS-1 on)	●	○	●	●	○	○	○	●	●	○
Flotación	●	○	○	●	○	○	○	○	●	○
Almacenamiento	●	○	○	○	●	○	○	○	⊙	○
Absorción repetida	●	○	●	○	●	○	○	●	⊙	○
Ecuilibración manual (*1)	●	⊙	⊙	○	○	○	⊙	⊙	○	○
Modo fuente de alimentación	●	●	●	●	●	○	●	●	●	○

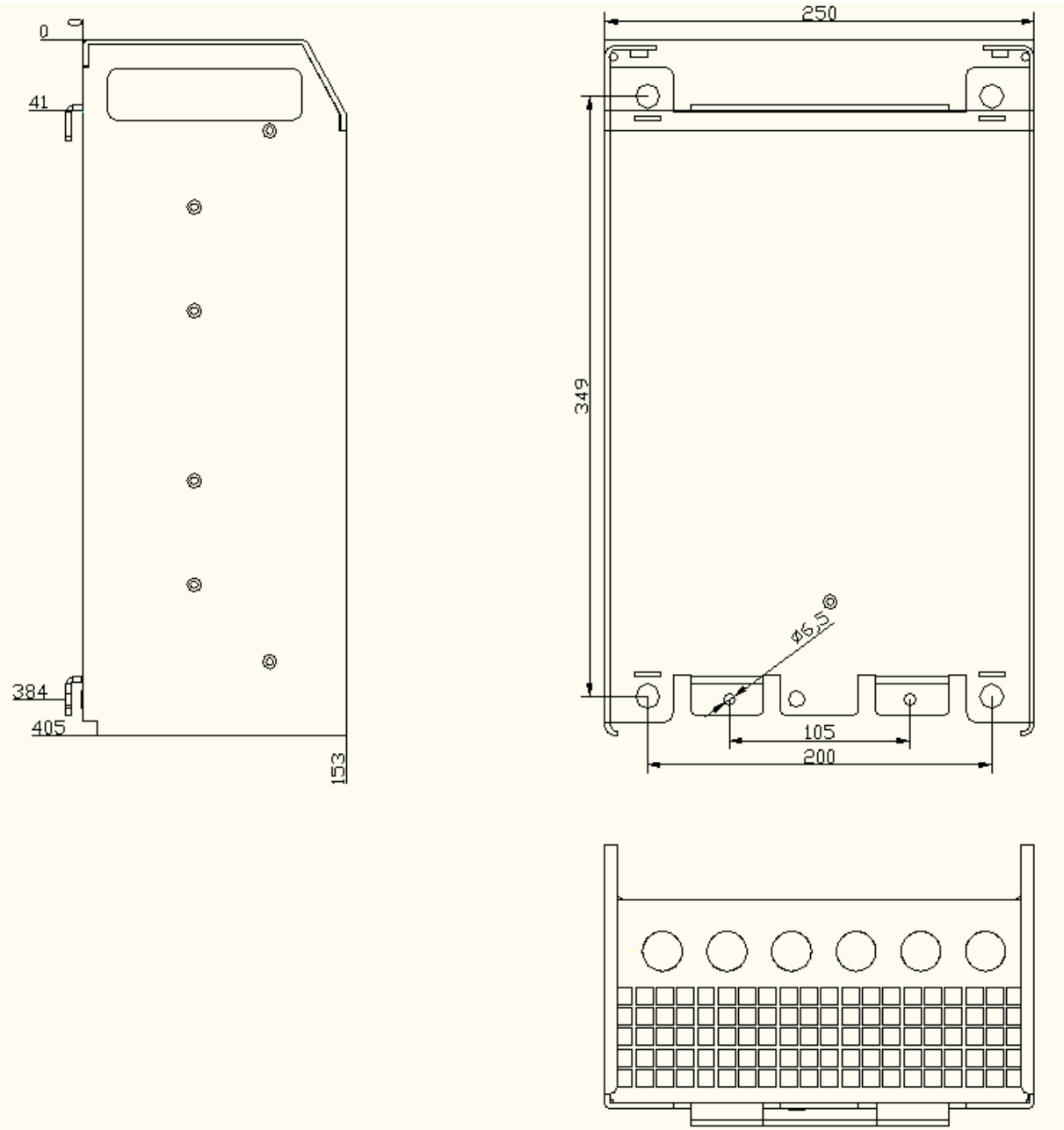
(*1) Parpadeo alternado

Estados de fallo

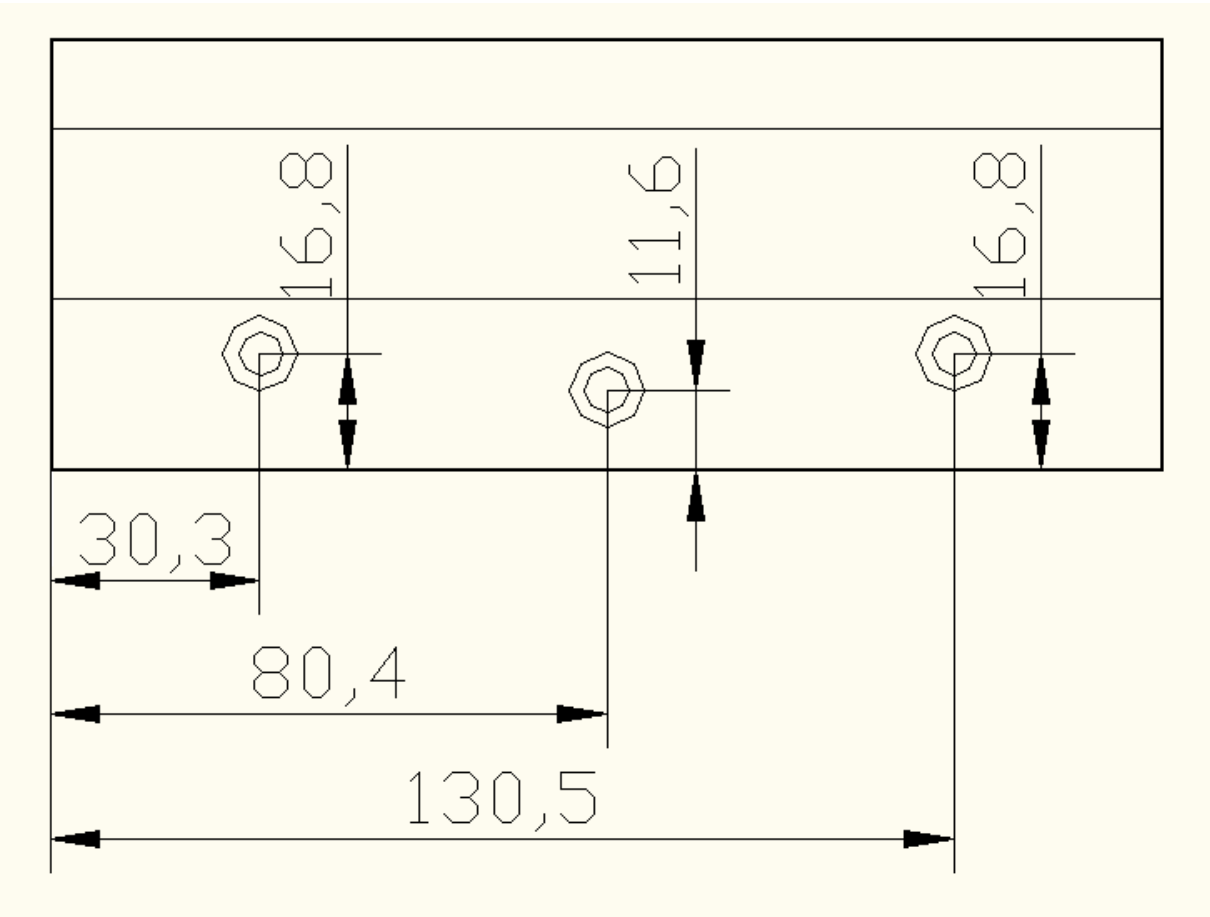
LED	O	B	A	F	S	E	
Sensor de temperatura de la batería	●	○	⊙	⊙	○	●	
Cables de la sonda de batería	●	⊙	⊙	○	○	●	
Protección de carga inicial (10h)	●	⊙	○	○	○	●	
Temperatura del cargador demasiado alta	●	⊙	⊙	⊙	⊙	●	
Sobrecorriente del cargador	●	⊙	○	○	⊙	●	
Sobretensión del cargador	●	○	⊙	○	⊙	●	
Conexión perdida con el BMS.	●	○	○	⊙	⊙	●	
Error interno	●	⊙	⊙	⊙	○	●	(p.ej. datos de calibración perdidos)

Nota: Los LED parpadean de forma sincrónica
El panel enciende el LED de fallo y muestra el código de error.

Appendix A: Dimensions



Appendix B: Wall mounting bracket



Intellitec MV Ltd
Unit 9 Woodway Court
Thursby Road
Bromborough
Wirral Ch62 3PR
Tel: 0151 482 8970
Email: sales@intellitcmv.com

www.intellitcmv.com

