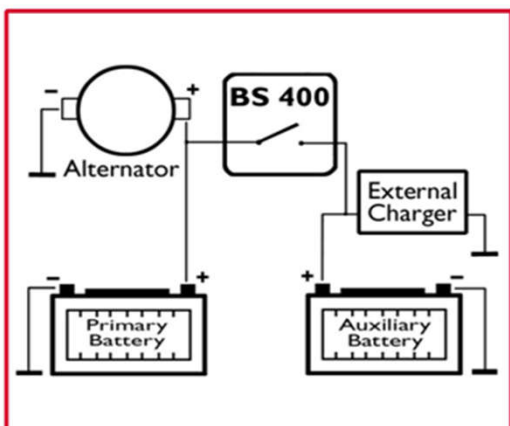
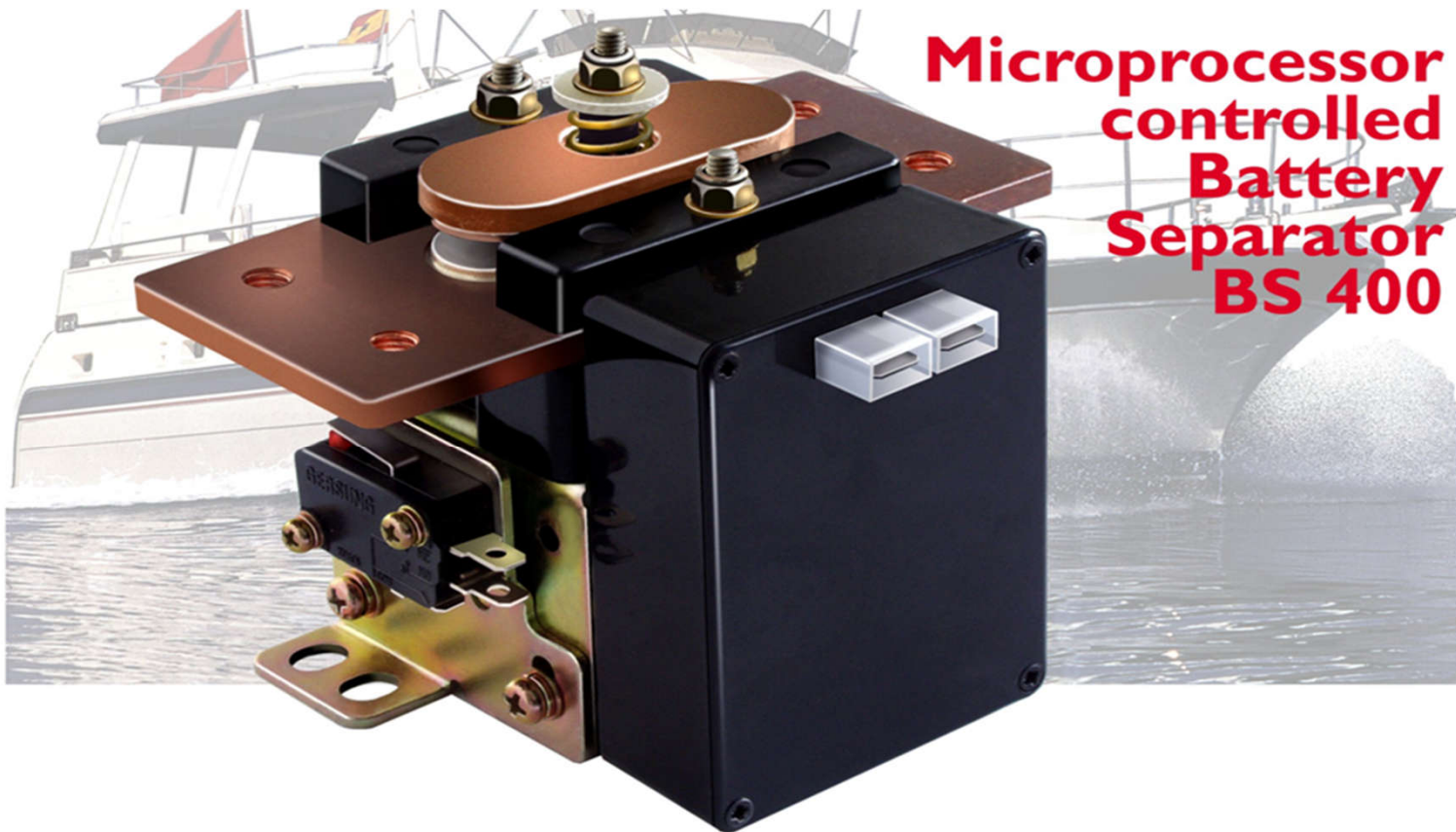


Microprocessor controlled Battery Separator BS 400



- Suited for 12V and 24V systems.
- Waits until the battery connected to the active charging source reaches 13,2V (26,4V) before paralleling and charging the auxiliary batteries. The system disconnects at 12,8V (25,6V)
- The microprocessor controls the switching times to prevent un-authorized on/off switching.
- Protects your auxiliary battery against overvoltage from the charging source (16V/32V)
- With use of an extra starting contact the batteries can be paralleled during starting when the battery voltage of the auxiliary battery is higher than the primary battery.
- Suitable for motorhomes, boats, trucks and wherever an extra battery is needed.
- External switch for control light.

Battery Separator	BS400/12	BS400/24	
Continues current	400	400	A
Switch ON	13,2	26,4	V
Switch OFF	12,8	25,6	V
Standby current	5mA		
Start contact	✓	✓	
Microswitch position recognition	✓	✓	
Voltage stability	+ / - 2%		
Weight	0,9	0,9	kg
Dimensions (h x b x d)	78x102x110	78x102x110	mm